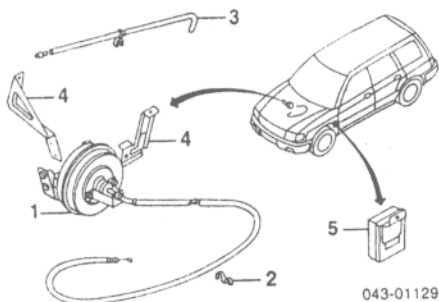


043-01499

1998	27537AC010		3.60
1999			
To 10-98	27537AC010	m	3.60
From 11-98	27537AC020	m	2.67
2000-02	27537AC020	m	2.67
*Included w/ABS Actuator Assy			
4 Bracket, Actuator	27535AC100	#2	29.42
*w/Actuator Assy Removed			
5 G-Sensor, ABS	27540FA021	m	5 276.05
6 Sensor, ABS Front	98 R 27540AC020	m	6 99.98
	L 27540AC030	m	6 99.98
	L 27540AC021	m	6 149.98
	99-00 R 27540AC031	m	6 149.98
	L 27540AC090	m	6 149.98
	01-02 R 27540AC100	m	6 149.98
	L 27540AC100	m	6 149.98
	R 27540FC000	m	6 149.98
	L 27540FC010	m	6 149.98
7 Sensor, ABS Rear	R 27540FC000	m	6 149.98
	L 27540FC010	m	6 149.98
8 Grommet, Sensor (2/Side)	R/L 26742AA010	m	80
9 Spacer, ABS Sensor]	R/L 26755AA000	m	1.04
*As Required			
10 Cylinder, Brake Master			
1998-00			
Base Model	26401FC010	m	6 129.95
L S Model	26401AC220S1	m	6 83.96
2001-02	26401AC220S1	m	6 83.96
11 Booster, Brake	98-00 26402FC070	m	#1.3 338.55
	01-02 26402FC140	m	#1.3 338.55
*Includes R&R Brake Master Cylinder			

CRUISE CONTROL SYSTEM



043-01129

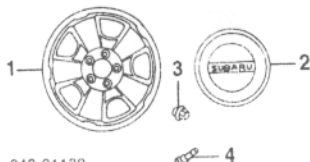
1 Actuator, Cruise			
L Model	87012FC040	m	5 210.28
S Model	98 87012FC000	m	5 210.28
	99 87012FC040	m	5 210.28
	00-02 87012FC060	m	5 199.95
	24234KA250		3.55
2 Clip, Hose			
3 Hose, Actuator	98-99 87016FC000	m	9.00
	00-02 87016FC020	m	7.37
4 Bracket, Actuator			
No. 1	87015FA010		9.50
No. 2	87015FA020		7.25
5 Computer, Cruise			
Man Trans	98 87022FC010	m	5 269.95
	99-02 87022FC080	m	5 279.95
Auto Trans	98 87022FC000	m	5 269.95
	99-02 87022FC070	m	5 269.95

WHEEL

Use Procedure Explanation 10 with the following text.

STEEL WHEEL

Refinish Wheel	5
Add to R&I Spare Wheel & Tire Assy	2

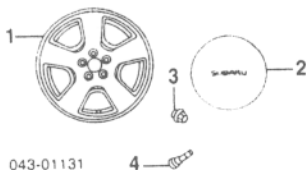


043-01130

1 Wheel, Steel (15x6")	28111FC020	.3	139.95
2 Cover, Wheel	28811FC000		9.95
3 Nut, Lug (20)	623006021		1.95
4 Stem, Valve	23142GA040		2.43

ALLOY WHEEL

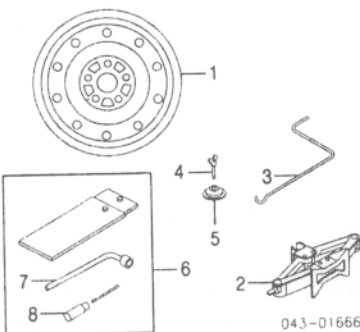
Add to R&I Spare Wheel & Tire Assy



043-01131

1 Wheel, Alloy			
16x6-1/2"			
1998-00	28111FC001	.3	339.53
2001-02			
w/Sunroof	28111FC201	.3	339.53
w/o Sunroof	28111FC031	.3	339.53
2 Cap, Center			
1998-00	28811AC110		39.95
2001-02			
w/Sunroof	28811AC110		39.95
w/o Sunroof	28821KE020		29.95
3 Nut, Lug (20)	623006021		1.95
4 Stem, Valve	23142GA040		2.43

SPARE WHEEL & HARDWARE



043-01666

1 Wheel, Spare	28111FC070		138.93
2 Jack	97030FC110		67.35
3 Handle, Jack	97040AC010		7.35
4 Holder, Spare Tire	97052FE000		6.55
5 Support, Spare Holder	97052PA010		6.55
6 Tool Kit, Spare	97010AA000		43.95
7 Wrench, Lug]	797014000		d16.72
8 Screwdriver]	694003040		7.03
*Included w/Spare Tool Kit			

FRONT SUSPENSION

Use Procedure Explanation 11 with the following text.

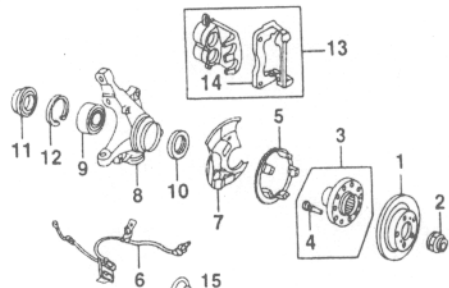
R&I Suspension (One Side)	R/Lm	1.5
OH Suspension (Includes R&I)		
One Side	R/Lm	4.3
Both Sides		8.0
Adjust Four Wheel Alignment		1.6
Adjust Front Alignment		1.0
Bleed Brake System		
w/ABS	m	.6
w/o ABS	m	.3

NOTE 1: R&I/R&R or OH Does not include alignment or bleed brake system.

NOTE 2: All Parts in this section are included in overhaul unless noted otherwise.

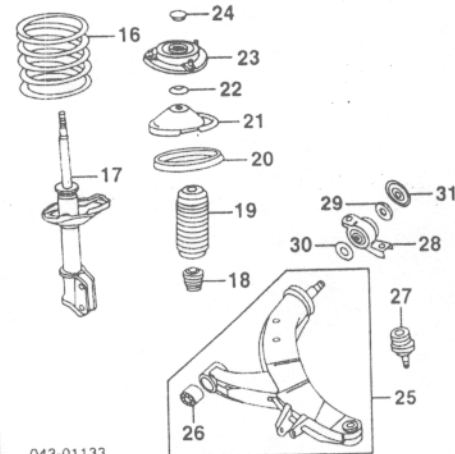
Illustration Located in Next Column

1 Rotor, Brake	R/L 26300AE070	m	#.6 69.95
#R&R Both 1.0			



043-01132

2 Nut, Axle	R/L 28044AA000	m	4.37
3 Hub Assy			
w/ABS	R/L 28052AA010	m	#3.1 113.57
w/o ABS	98 R/L 28052AA010	m	#3.1 113.57
	99-02 R/L 28362AE000	m	#3.1 102.48
	R/L 28055AA002	m	2.22
4 Bolt, Hub]			
*Included w/Hub Assy			
5 Rotor, ABS Front Sensor	R/L 26750AA003	m	#3.1 103.48
6 Sensor, ABS Front-See ABS/Brakes Section			
7 Shield, Splash	R 26290AC080	m	#3.1 19.98
	L 26290AC090	m	#3.1 19.98
8 Knuckle, Steering	98-99 R 28012AA004	m	#3.1 163.21
	L 28012AA014	m	#3.1 163.21
	00-01 R 28313AE020	m	#3.1 127.51
	L 28313AE030	m	#3.1 163.21
	02 R 28013AE020	m	#3.1 0.0
	L 28013AE030	m	#3.1 0.0
9 Bearing	99-02 R/L 28016AA011NT	m	#3.1 74.51
10 Seal, Outer	99-02 R/L 28015AA070	m	#3.1 8.81
11 Seal, Inner	99-02 R/L 28015AA021	m	#3.1 10.71
12 Ring, Snap	R/L 28035AA010	m	#3.1 2.91
#R&R One Side Complete, Includes R&R Rotor, R&R Both Sides			
13 Caliper Assy, Brake	R 26291AC021	m	#.5 199.91
	L 26291AC031	m	#.5 244.21
#R&R Both Sides .8, w/Rotor Removed Deduct .3			
14 Support, Caliper]	R/L 26226AC011	m	88.01
*Included w/Brake Caliper Assy			
15 Hose, Brake	R 26550FC010	m	#.3 41.91
	L 26550FC020	m	#.3 41.91
*w/Caliper Removed Deduct .2			



043-01133

16 Spring, Coil]			
Man Trans			
w/A/C	R/L 20330FC040	m	#2.0 58
w/o A/C	R/L 20330FC030	m	#2.0 58
Auto Trans			
w/A/C	R/L 20330FC050	m	#2.0 58
w/o A/C	R/L 20330FC060	m	#2.0 58
*Order by Application			
17 Strut	98-00 R 20310FC020	m	#2.0 104
	L 20310FC030	m	#2.0 104
	01-02 R 20310FC040	m	#2.0 104
	L 20310FC050	m	#2.0 104
18 Bumper	98-00 R 20321AA201	m	#2.0 24
	01-02 R/L 20321AA101	m	#2.0 24
19 Cover, Dust	R/L 20322AE01A	m	#2.0 1
20 Seal, Lower	R/L 20325FA000	m	#2.0 1
21 Mount, Strut	R/L 20323FA000	m	#2.0 1
22 Spacer, Strut	R/L 20326AA000	m	#2.0 1
23 Mount, Strut	R/L 20320AA110	m	#2.0 61
#R&R One Side Complete, R&R Both Sides 3.8, w/Knuckle Removed Deduct 1.5			
24 Seal, Dust	R/L 20326AA120		
25 Arm Assy, Suspension	98-00 R 20200AC200F	m	#1.0 17
	L 20200AC210F	m	#1.0 17
	01-02 R 20200FC120	m	#1.0 20
	L 20200FC130	m	#1.0 20
#w/Knuckle Removed Deduct .6, R&R Both Sides 1.8			

33 Plate, Sub-Frame	L 2015AE100	m	#	11.43
	03 20510AE040	m	#	13.28
	04 20510AE110	m	#	9.80
34 Sub-Frame	20152AE00B	m	#4.0	442.93
35 Bushing, Differential	R/L 41322AE01D	m	#	10.95

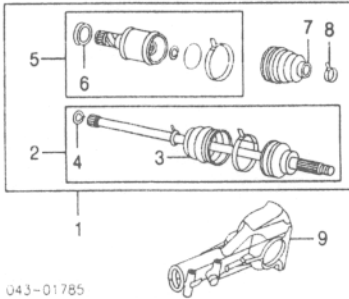
#Not Included in O/H

REAR DRIVE AXLE

R&I Axle Shaft Assy (One Side).....R/Lm #.7
 O/H Axle Shaft Assy (Includes R&I).....R/Lm #1.5
#w/Trailing Arm Removed Deduct .4

NOTE 1: R&I/R&R or O/H Does Not include adjust wheel alignment.

NOTE 2: All Parts in this section are included in overhaul unless noted otherwise.



043-01785

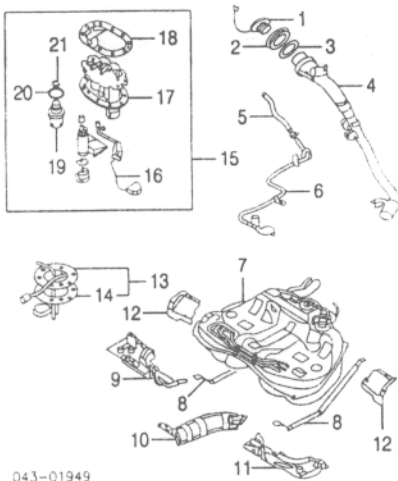
1 Shaft Assy, Axle	R 28421AE01B	m	#.7	343.28
Man Trans	L 28421AE02B	m	#.7	342.80
Auto Trans				
2003				
To 10-02	R/L 28421AE09A	m	#.7	343.28
From 10-02	R/L 28421AE09A	m	#.7	343.28
2004	R/L 28421AE09A	m	#.7	343.28
2 Shaft Assy, Outer	R 28491AE01A	m	#1.5	199.98
	L 28491AE02A	m	#1.5	199.98
				<i>#w/Trailing Arm Removed Deduct .4</i>
3 Boot, Outer	R 28423AE00A	m		9.65
(a)	L 28423AE02A	m		16.47
4 Ring, Snap	R/L 72324S020	m		8.07
(a) Included w/Outer Shaft Assy				
5 Joint Assy, Inner	R/L 28092AC010	m	#1.5	171.70
				<i>#w/Trailing Arm Removed Deduct .4</i>
6 Plate, Baffle	(a)			
Man Trans	R/L 23233GA091	m		6.95
Auto Trans	R/L 28037FA000	m		6.95
(a) Included w/Inner Joint Assy				
7 Boot, Inner	R/L 28023AC090	m		15.02
8 Clamp, Boot	R/L 23242GA410	m		1.26
				<i>#Included w/Axle Shaft Assy</i>
9 Differential				
Man Trans	Z7011AA850	m	#1.6	1380.15
Auto Trans	N.A.	m	#1.6	0.00

#Not Included in O/H

FUEL TANK

R&I Fuel Tank.....m #5.1
#Includes R&I/R&R Rear Sub-Frame Assy

NOTE: R&I/R&R Does Not include drain and refill.



043-01949

1 Cap, Filler	03 42031SA01A			13.95
	04 42031AE02A			12.97
2 Ring, Filler	42056AA011			2.27
3 Packing, Filler	42060GA081			7.33
4 Pipe, Filler	42066AE180			91.15

5 Hose, Evaporator	42075AE20A			8.85
6 Pipe, Return	42068AE32A			33.08
7 Tank, Fuel	03 42012AE03A	m	#5.4	360.59
	04 42012AE04A			361.99

#Includes R&I/R&R Rear Sub-Frame Assy

8 Strap, Tank	R 42017AE00A			31.75
	L 42017AE01A			30.47
9 Protector, Right Front Tank	42045AE02A			50.42
10 Protector, Center Front Tank	42054AE00A			39.52
11 Protector, Left Front Tank	42045AE03A			51.07
12 Protector, Rear Tank	R 42045AE08A			41.57
	L 42045AE09A			40.88
13 Sender Assy, Fuel	03 42081AE01A	m	#.7	61.42
	04 42081AE05A	m	#.7	56.58
14 Gasket, Sender	03 85125AA000	m	#.7	13.33
	04 42025AE12A	m	#.7	00.00

#Included w/Fuel Sender Assy

15 Pump Assy, Fuel	42021AE02A	m	#.7	279.95
2003				
2004				
Base, Turbo Model	42021AE08A	m	#.7	279.95
Sport Model	42021AE06A	m	#.7	279.95
16 Sensor, Level	42081AE00A	m	#.7	92.75

#R&R Complete, Included in R&R Fuel Tank

17 Gasket, Pump	03 42025AE00A			0.00
	04 42025AE11A			32.18
18 Retainer, Plate	42057AE01A			40.93
19 Filter, Fuel	42072AE00A			39.95
20 Seal, Upper	42025AE03A			29.58
21 Seal, Lower	42025AE02A			28.38

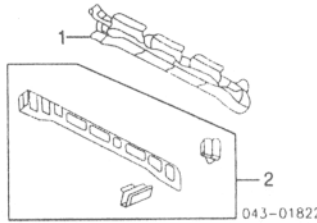
#Included w/Fuel Pump Assy

REAR BODY

Use Procedure Explanations 26 and 28 with the following text.

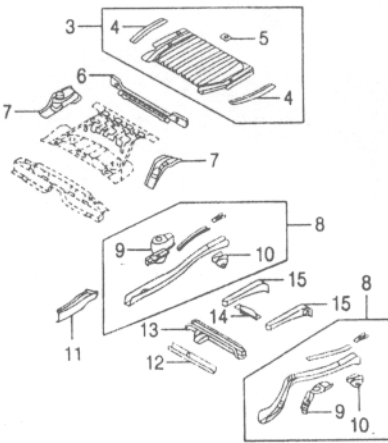
SHEET METAL

Refinish Rear Body Panel.....1.2



043-01822

Panel, Rear Body	52411AE07A	#6.0	108.80
1 Outer			
			<i>#w/Rear Gate Panel Removed, Does Not Include R&I/R&R Combination Lamp Assemblies, Deduct 1.8 for Each Quarter Panel Removed, Deduction Includes Common Surfaces & Included Operations</i>
2 Inner	52411AE06A	3.5	169.95



043-01823

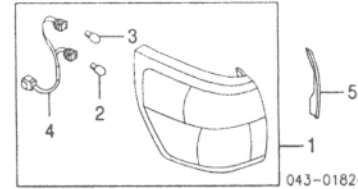
3 Panel Assy, Rear Floor	52118AE01A	#12.0	139.52
			<i>#w/Rear Body Panel Removed</i>
4 Extension, Rear Floor	R 52150AE45A	1.5	89.53
	L 52150AE46A	1.5	83.82
5 Reinf, Spare Tire	52145AE02A		27.77
			<i>#Included w/Rear Floor Panel Assy</i>
6 Panel, Lower	52170AE04A		101.27
7 Extension, Rear Floor Front	R 52123AE21A	1.5	71.27
	L 52123AE22A	1.5	60.68
8 Rail Assy, Side	R 52150AE53A	s #8.0	189.95
	L 52150AE37B	s #8.0	196.35
			<i>#w/Rear Floor Pan Removed Deduct 2.0</i>
9 Bracket, Rail	R 52153AE04A		102.50
	L 52153AE05A		90.89
10 Hook, Tie-Down	R 57801AE01A	1.0	20.28

	L 57801AE03A			1.0	17.78
					<i>#Included w/Side Rail Assy</i>
11 Extension, Front Rail	R 52154AE12B	s	2.0	11.73	
	L 52154AE13B	s	2.0	11.73	
12 Crossmember, No. 1	52140AE1A			33.87	
13 Crossmember, No. 2	03 52140AE58A			83.48	
	04 52140AE58B			85.25	
	52140AE60A			40.40	
14 Support, Spare Tire	03 R 52150AE38B			69.98	
	L 52150AE39A			75.72	
15 Frame, Rear	04 R 52150AE38A			68.75	
	L 52150AE39A			75.72	

REAR LAMPS

COMBINATION LAMP ON REAR BODY

R&I Combination Lamp Assy.....R/L 2

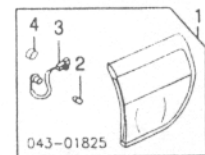


043-01824

1 Lamp Assy, Combination				
Black Mica (Code VC)	R 84201AE30AVC		2	158.95
	L 84201AE31AVC		2	153.40
Blue (Code PL)	R 84201AE30APL		2	158.95
	L 84201AE31APL		2	153.40
Silver (Code TC)	R 84201AE30ATC		2	158.95
	L 84201AE31ATC		2	153.40
Yellow (Code HA)	R 84201AE30AHA		2	158.95
	L 84201AE31AHA		2	153.40
Yellowish Red (Code HE)	R 84201AE30AHE		2	158.95
	L 84201AE31AHE		2	153.40
2 Bulb, Lamp				
Signal	R/L 84920FE010	#2		14.98
Stop	R/L 84920FE000	#2		5.95
3 Bulb, Back-Up Lamp	R/L N.A.	#2		0.00
				<i>#R&R One Side Complete</i>
4 Socket, Bulb	R/L 84931AE250			33.62
				<i>#Included w/Combination Lamp Assy</i>
5 Cover, Lamp	R 84953AE14A			13.90
	L 84953AE15A			13.90

COMBINATION LAMP ON REAR GATE

R&I Combination Lamp Assy.....R/L #3
#w/Rear Gate Panel Removed

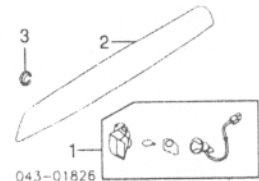


043-01825

1 Lamp Assy, Combination				
Black Mica (Code VC)	R 84251AE12AVC	#3		106.18
	L 84251AE13AVC	#3		103.02
Blue (Code PL)	R 84251AE12APL	#3		106.18
	L 84251AE13APL	#3		103.02
Silver (Code TC)	R 84251AE12ATC	#3		106.18
	L 84251AE13ATC	#3		103.02
Yellow (Code HA)	R 84251AE12AHA	#3		106.18
	L 84251AE13AHA	#3		103.02
Yellowish Red (Code HE)	R 84251AE12AHE	#3		106.18
	L 84251AE13AHE	#3		103.02
				<i>#w/Rear Gate Panel Removed</i>
2 Bulb	R/L 784920080			1.50
3 Socket, Bulb	R/L 84931AE260			18.22
4 Cover, Bulb	R/L 84956AE050			2.66
				<i>#Included w/Combination Lamp Assy</i>

LICENSE LAMP

Refinish License Lamp Cover.....4



043-01826

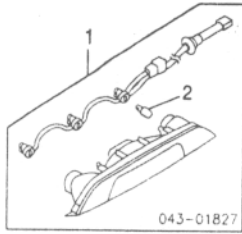
1 Lamp Assy, License-See Rear Gate Section				
2 Cover, License Lamp				
Black Mica (Code VC)	84301AE03AVC		2	64.9
Blue (Code PL)	84301AE03APL		2	64.9
Silver (Code TC)	84301AE03ATC		2	64.9

REAR LAMPS Cont'd

LICENSE LAMP Cont'd

Yellow (Code HA)	84301AE03AHA	2	62.25
Yellowish Red (Code HE)	84301AE03AHE	2	64.32
3 Grimmel, Mounting	R/L 84710TC010		.98

HIGH MOUNT STOP LAMP



1 Lamp Assy, Stop	84701AE08A	2	79.95
2 Bulb, Lamp[] (3)	84920AA020		1.95

Includes w/High Mount Stop Lamp Assy

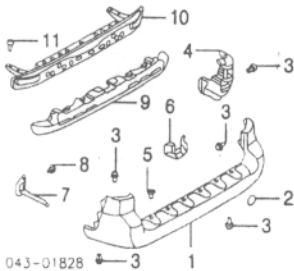
REAR BUMPER

Use Procedure Explanations 27 and 28 with the following text.

Refinish Rear Cover	2.1
Refinish Cover Protector	2
Refinish Reinforcement Bar	.8
R&I Bumper Assy	#1.1
O/H Bumper Assy (Includes R&I)	#1.6

Includes R&I/R&R Combination Lamps on Body

NOTE: All Parts in this section are included in overhaul unless noted otherwise.

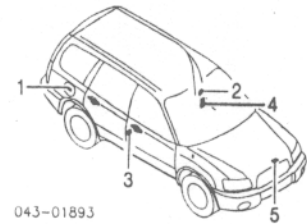


1 Cover, Bumper (P)	57704AE21A	#1.3	239.97
<i>Includes R&I/R&R Combination Lamps on Body</i>			
2 Protector, Cover (P)	91163AE400		5.72
<i>(P) Paint to Match</i>			
3 Clip, Mounting (16)	909140007		.70
4 Bracket, Bumper	R 57707AE53A		65.22
	L 57707AE54A		62.58
5 Clip, Attaching (6)	909140028		2.80
6 Extension, Lower Bumper	R 57731AE62A		19.95
	L 57731AE63A		19.95
7 Extension, Bumper Side	R 57731AE02A		39.95
	L 57731AE03A		39.95
8 Clip, Mounting (2/Side)	R/L 99090FE000		5.88
9 Absorber, Impact	57705AE06A		64.95
10 Bar, Reinforcement	57711AE30B	1.6	274.47
11 Bolt, Mounting (2/Side)	R/L 99090FE000		5.88

SUBARU FORESTER 2003-04

SECTION INDEX

A/C HEATER/VENTILATION	744
A/C REFRIGERANT CAPACITIES	744
ABS/BRAKES	746
AIR BAG SYSTEM	746
AIR CLEANER	749
CENTER CONSOLE	752
CLEAR COAT IDENTIFICATION	742
COOLING	743
COWL & DASH	751
CRUISE CONTROL SYSTEM	746
ELECTRICAL	750
EMISSION SYSTEM	750
ENGINE OIL COOLER	744
ENGINE UNDER COVER	749
ENGINE/TRANS	748
ENGINE/TRANS MOUNTS	748
EXHAUST	749
FRONT BUMPER	742
FRONT DOOR	754
FRONT DRIVE AXLE	747
FRONT FENDER	745
FRONT INNER STRUCTURE	745
FRONT LAMPS	743
FRONT SEAT	753
FRONT STEERING LINKAGE/GEAR	747
FRONT SUSPENSION	747
FUEL TANK	760
GRILLE	742
HOOD	743
INFORMATION LABELS	742
INSTRUMENT PANEL	751
LIFTGATE	758
PAINT CODE LOCATION	742
QUARTER GLASS	758
QUARTER PANEL	757
REAR BODY	760
REAR BUMPER	761
REAR DOOR	755
REAR DRIVE AXLE	760
REAR LAMPS	761
REAR SEAT	754
REAR SUSPENSION	759
ROCKER/PILLARS/FLOOR	752
ROOF	756
SEAT BELTS	754
SPECIAL CAUTIONS	742
STEERING PUMP	747
STEERING WHEEL/COLUMN	748
SUNROOF	757
TURBOCHARGER/INTERCOOLER	749
UNDERHOOD DIMENSIONS	745
WHEEL	746
WINDSHIELD	750



043-01893

4 Label, Air Bag	R/L 98281AE060	2.92
5 Label, A/C	73772SA010	4.07
Label, Fuse	82245SA010	1.58

FRONT BUMPER

Use Procedure Explanations 1 and 28 with the following text.

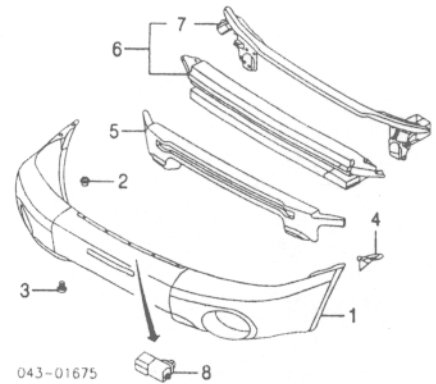
Refinish Front Cover	2.0
R&I Bumper Assy	#1.5
O/H Bumper Assy (Includes R&I)	#1.8

Includes R&I Grille Assy, R&I/R&R Engine Under Cover & Fender Liners

Add to R&R Front Cover or O/H Bumper Assy w/Fog Lamps

	.3
--	----

NOTE: All Parts in this section are included in overhaul unless noted otherwise.



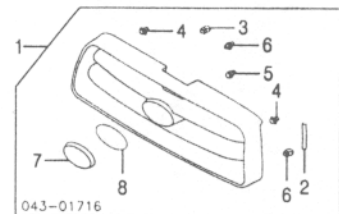
043-01675

1 Cover, Front			
2.5 X Model	57703SA020MC	#1.8	179.95
2.5 XS, 2.5 XT Model (P)	57704SA000	#1.8	179.95
<i>(P) Paint to Match</i>			
<i>Includes R&I Grille Assy, R&I/R&R Engine Under Cover & Fender Liners</i>			
2 Clip, Cover (10)	909140007		.70
3 Clip, Lower Cover	R/L 57728AC090		.80
4 Slider, Side	R 57765SA020		3.25
	L 57765SA030		3.25
5 Absorber, Energy	57705SA000	IOH	64.95
6 Bar Assy, Reinforcement	57712SA000	IOH	239.95
7 Stay, Bar[]	57712SA1509P	IOH	41.98
<i>Includes w/Reinforcement Bar Assy</i>			
8 Sensor, Ambient	73731FC000	m #	45.75
<i>#Not Included in O/H</i>			

GRILLE

R&I Grille Assy	#4
-----------------	----

Includes R&I/R&R Fender Extensions



043-01716

1 Grille Assy	91121SA050	#5	211.88
<i>Includes R&I/R&R Fender Extensions</i>			
2 Spacer, Grille Side[]	R/L 91176SA010		4.07
Clip, Grille[]			
3 No. 1 (2)	91017AA010		3.80
4 No. 2 (2)	91017FA080		2.60
5 No. 3	91059FC090		1.76
6 No. 4	R/L 91059FC041		1.48
7 Emblem (Adhesive)[]			
2003			
To 6-02	91174SA000	2	51.47
From 6-02	91174SA001	2	51.47

SPECIAL CAUTIONS

**SUPPLEMENTAL RESTRAINT SYSTEM
SRS**

Refer to Procedure Explanation 29 for Supplemental Restraint/Air Bag Special Cautions.

PAINT CODE LOCATION

Paint code located on left shock tower.

CLEAR COAT IDENTIFICATION

All colors are clear coat.

INFORMATION LABELS

Illustration Located in Next Column

1 Label, Unleaded Fuel	91519GA420	1.40
2 Label, Tire Pressure	28191FC270	2.13
3 Label, Radio Noise	10190AA000	d1.90

2004	91174SA001	2	51.47
8 Base, Emblem]	03 91174SA040		17.15
	04 N.A.		0.00

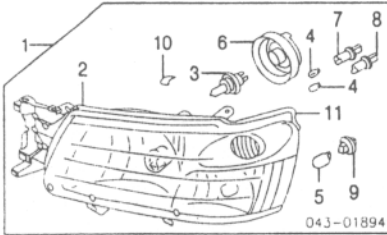
†Included w/Grille Assy

**FRONT LAMPS
COMBINATION LAMP**

Aim Lamps.....	A
R&I Combination Lamp Assy.....	R/L #.6

#Includes R&I Grille Assy, w/Air Intake Duct Removed, Included in R&I/R&R Fender

NOTE: R&R Does Not include aim lamps.



043-01894

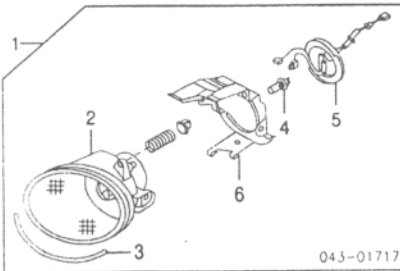
1 Lamp Assy, Combination	R 84001SA020	#.6	199.95
	L 84001SA030	#.6	199.95
2 Lens & Body]	R 84912SA120	#.6	217.47
	L 84912SA130	#.6	217.47
#Includes R&I Grille Assy, w/Air Intake Duct Removed, Included in R&I/R&R Fender			
3 Bulb, Headlamp]	R/L 84920AA090	#.2	19.95
4 Bulb, Clearance/Marker] (2/Side)	R/L 784920080	#.2	1.50
5 Bulb, Turn Signal]	R/L 84920KE020	#.2	14.98
#R&R One Side Complete, Included in R&I/R&R Combination Lamp Assy			
6 Cap, Headlamp]	R/L 84962SA000		8.18
7 Socket, Clearance]	R/L 84930FA000		7.88
8 Socket, Marker]	R/L 84930FC020		5.72
9 Socket, Turn Signal]	R/L 84930SA000		8.18
10 Clip, Lamp] (2/Side)	R/L 84965AA070		.98
11 Gasket, Lamp]	03 R/L 84940SA020		17.15
	04 R/L N.A.		0.00

†Included w/Combination Lamp Assy

FOG LAMP

R&I Fog Lamp Assy.....	R/L #.3
------------------------	---------

#Included in R&R Front Cover or O/H Bumper Assy



043-01717

1 Lamp Assy, Fog			
2003			
To 10-02	R 84501SA000	#.3	149.95
	L 84501SA110	#.3	169.95
From 11-02	R 84501SA100	#.3	169.95
	L 84501SA110	#.3	169.95
2004	R 84501SA100	#.3	169.95
	L 84501SA110	#.3	169.95
2 Lens & Body]			
2003			
To 10-02	R 84912SA200	#.3	115.05
	L 84912SA210	#.3	115.05
From 11-02	R 84912SA201	#.3	115.05
	L 84912SA500	#.3	115.05
2004	R 84912SA490	#.3	115.05
	L 84912SA500	#.3	115.05
#Included in R&R Front Cover or O/H Bumper Assy			
3 Gasket, Lamp]	R 84940SA030		4.07
	L 84940SA040		4.07
4 Bulb, Fog Lamp]	R/L 84920GA400	2	19.95
5 Socket, Fog Lamp]	R/L 84981SA000		28.60
6 Bracket, Fog Lamp]	R 84927SA000		22.88
	L 84927SA010		22.88

†Included w/Fog Lamp Assy

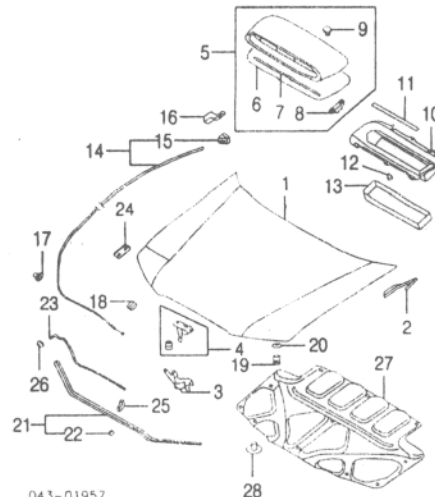
HOOD

Use Procedure Explanations 4 and 28 with the following text.

Refinish Hood Outside.....	2.5
Add for Underside.....	1.2
Refinish Hinge.....	R/L 2
Refinish Hood Scoop.....	.5
R&I Hood Assy.....	5

R&I Washer Nozzle.....	R/L #.2
------------------------	---------

#Included in R&R Hood



043-01957

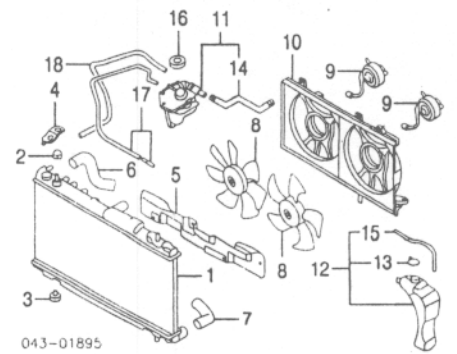
1 Panel, Hood	57229SA009P	1.2	298.83
2.5 X, 2.5 XS Model	57229SA0109P	1.2	299.95
2 Hinge, Hood	R 57260SA0009P	#.3	24.52
	L 57260SA0109P	#.3	24.52
#w/Hood Removed			
3 Latch, Hood	57310SAU20	3	50.07
4 Striker, Hood Latch	57311SA000	.2	21.23
5 Scoop Assy, Hood (P)			
2.5 XT Model	90821FE003NN	.3	168.23
(P) Paint to Match			
6 Seal, Hood Scoop]	90875FE000		6.55
7 Seal, Rear]	90875FE010		2.92
8 Clip, Front] (2)	909140027		1.18
9 Clip, Rear]	909130083		1.98
#Included w/Hood Scoop Assy			
10 Duct, Upper Scoop			
2.5 XT Model	90817SA020		89.73
11 Seal, Duct	90875FE030		2.92
12 Rivet	59130AA000		.84
13 Duct, Lower Scoop			
2.5 XT Model	90817SA010		34.32
14 Cable Assy, Hood Release	57330SA000ML	.7	22.10
15 Handle, Release]	57340FA100ML		6.55
#Included w/Hood Release Cable Assy			
16 Bracket, Handle	57347SA010		7.37
17 Protector, Hood Release Cable	57333FA000		1.30
18 Clip, Hood Release Cable (3)	57371GA070		1.75
19 Bumper, Front Hood	R/L 57254AA011	.1	2.33
20 Protector, Bumper (2/Side)	R/L 57253AA031		.59
21 Seal Assy, Hood Front			
2003	57252SA000	.2	24.52
2004			
To 4-03	57252SA000	.2	24.52
From 4-03	57252SA001	.2	24.52
22 Clip, Seal] (14)	90826FA000		1.16
#Included w/Hood Front Seal Assy			
23 Stay, Hood Support	57251SA000	#.2	21.23
24 Holder, Hood Stay	57242SA000	#.2	2.47
25 Clamp, Hood Stay	57255SA000	#.2	2.30
26 Grommet, Hood Stay	57253AA010	#.2	2.80
#R&R Complete			
27 Insulator, Hood			
2.5 X, 2.5 XS Model	90815SA030	.3	71.88
2.5 XT Model	90815SA040	.3	71.88
28 Clip, Insulator (11)	909130074		.80

COOLING

Use Procedure Explanations 5 and 28 with the following text.

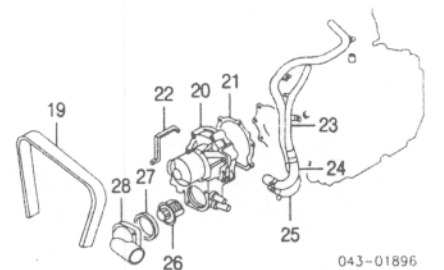
W/TURBO

R&I Radiator			
Man Trans.....		.7	
Auto Trans.....		.9	
Illustration Located in Next Column			
1 Radiator			
Man Trans	45111SA080	.7	330.85
Auto Trans	45111SA090	.9	0.00
2 Cushion, Upper Radiator	R/L 45135AE030		1.96
3 Cushion, Lower Radiator	R/L 45135AE040		2.63
4 Bracket, Radiator	R/L 45124SA000		7.25
5 Cover, Radiator	45109FC050		31.85
6 Hose, Upper Radiator	45161SA000	#.6	13.33
7 Hose, Lower Radiator	X4511FC040	#.6	13.33
#R&R Both .8			
8 Blade, Fan	R 45121KE001	#.7	29.42



043-01895

9 Motor, Fan	L 45121FE001	#.7	29.42
	R/L 45131SA000	#.7	168.23
#R&R One Side Complete, R&R Both Sides 1.0			
10 Shroud, Fan	45122SA000	#1.0	71.88
#Includes R&R Both Fans & Motors, w/Radiator Removed .6			
Tank Assy, Coolant			
11 Right	21132AA075	.6	100.93
12 Left	45150SA010	.3	47.37
13 Cap, Coolant Tank]	L 45153AA001		4.37
Hose, Coolant Tank]			
14 Right	99078AA073		7.87
15 Left	45162FC050		24.52
#Included w/Coolant Tank Assy			
16 Cap, Coolant Tank	R 45137AE001		13.13
Hose, Coolant Tank			
17 Tank Side	R 45162FC080	#.3	15.68
18 Radiator Side	R 45162FC090	#.3	15.68
#R&R Both .5			



043-01896

19 Belt, Drive-See Electrical Section			
20 Pump, Water	21111AA240	m	3.0
21 Gasket, Water Pump	21114AA051	m	2.55
22 Seal, Water Pump	21116AA010	m	2.10
23 Pipe, By-Pass	14065AA250		2.6
24 Hose, By-Pass			
Upper	807612011	#.6	6.58
Lower	807615182	#.6	5.88
#R&R Complete			
26 Thermostat	21200AA072	#.5	12.25
27 Gasket, Thermostat	21236AA010	#.5	3.33
28 Housing, Thermostat	11060AA061	#.5	16.33
#R&R Complete			

W/O TURBO

R&I Radiator			
Man Trans.....		.7	
Auto Trans.....		.9	
Illustration Located in Next Column			
1 Radiator			
Man Trans	45111SA080	.7	330.85
Auto Trans	45111SA090	.9	0.00
2 Cushion, Upper Radiator	R/L 45135AE030		1.96
3 Cushion, Lower Radiator	R/L 45135AE040		2.63
4 Bracket, Radiator	R/L 45124SA000		7.25
5 Cover, Radiator	45109FC050		31.85
6 Hose, Upper Radiator	45161SA000	#.6	13.33
7 Hose, Lower Radiator	X4511FC040	#.6	13.33
#R&R Both .8			
8 Blade, Fan	R 45121KE001	#.7	29.42

043-01677

SUBARU FORESTER 2003-04

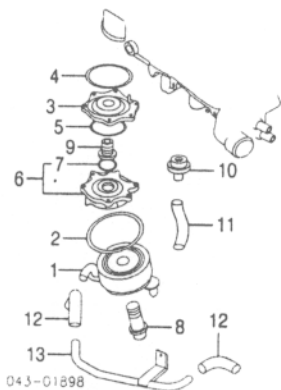
COOLING Cont'd

W/O TURBO Cont'd

Man Trans	45111SA020	.7	304.58
Auto Trans	45111SA030	.9	330.85
Cap, Radiator	45137AE001		13.13
Cushion, Upper Radiator	R/L 45135AE030		1.98
Cushion, Lower Radiator	R/L 45135AE040		2.63
Bracket, Radiator	R/L 45124SA000		7.25
Hose, Upper Radiator	45161SA010	#.6	13.25
Hose, Lower Radiator	X4511FC060	#.6	13.33
#R&R Both Hoses .8			
Blade, Fan	R 45121KE001	#.7	29.42
	L 45121FE001	#.7	29.42
Motor, Fan	R/L 45131FE000	#.7	199.95
#R&R One Side Complete, R&R Both Sides 1.0			
Shroud, Fan	45122SA000	#1.0	71.88
#Includes R&R Both Fans & Motors, w/Radiator Removed .6			
Pump, Water			
Man Trans	21111AA007	m	3.0
Auto Trans	21110AA380	m	3.0
Gasket, Water Pump	21114AA051	m	2.55
Seal, Water Pump	21116AA010	m	2.10
Hose, By-Pass	807615081	.3	9.95
Pipe, By-Pass	14065AA121	2.6	16.50
Thermostat	21200AA072	#.5	12.25
Gasket, Thermostat	21236AA010	#.5	3.33
Housing, Thermostat	11060AA070	#.5	19.70
#R&R Complete			
Tank Assy, Coolant	45150SA000	.3	44.12
Cap, Coolant Tank	45153AA001		4.37
Hose, Coolant Tank	45162SA000	.1	10.62
#Included w/Coolant Tank Assy			

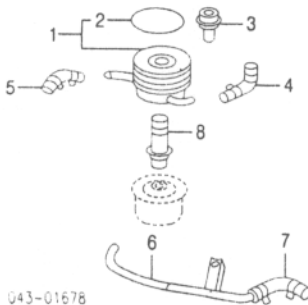
ENGINE OIL COOLER

W/TURBO



1 Cooler, Oil	21311AA071	m	1.0	158.83
2 Gasket, Oil Cooler	21370KA001	m		5.02
3 Adapter, Oil Cooler				
Upper	21675AA010	m		57.20
Gasket, Adapter	21370KA001	m		5.02
O-Ring, Adapter				
Upper	806959030	m		2.05
Adapter Assy, Oil Cooler				
Lower	21684AA000	m		65.33
O-Ring, Adapter				
Lower	806932040	m		1.98
#Included w/Oil Cooler Adapter Assy				
Connector, Oil Cooler	21317AA040	m		34.32
Connector, Oil Cooler Adapter	21686AA000	m		34.32
Fitting, Hose	21369AA040	m		29.95
Hose, Outlet	807611121	m	.3	5.72
Hose, Inlet (2)	807611031	m	.3	9.95
Pipe, Inlet	21328AA011	m	.7	28.90

W/O TURBO



1 Cooler Assy, Oil	21311AA010	m	1.0	249.95
--------------------	------------	---	-----	--------

2 Gasket, Oil Cooler	03 21370KA001	m	5.02
	04 N.A.	m	0.00
#Included w/Oil Cooler Assy			
3 Fitting, Hose	03 21369AA040	m	29.95
	04 N.A.	m	0.00
4 Hose, Outlet	03 807611031	m	.3
	04 N.A.	m	.3
5 Hose, Inlet	807611100	m	.3
6 Pipe, Oil Cooler	21328AA090	m	.7
7 Hose, Oil Cooler	807611131	m	.3
8 Connector, Oil Cooler	21317AA021	m	42.12

A/C REFRIGERANT CAPACITIES

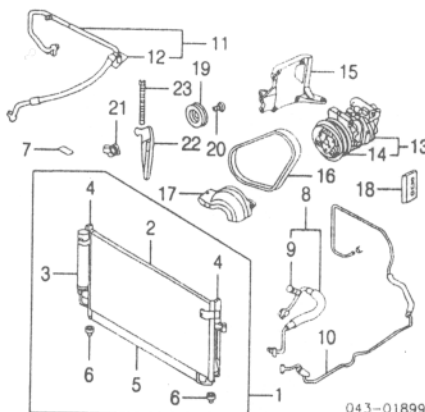
A/C R-134a Refrigerant Capacity
2003-04: 20-23 Ozs (1.25-1.44 Lbs)

A/C /HEATER/VENTILATION

Use Procedure Explanation 6 with the following text.

R&I Condenser	m	#.6
#w/Radiator Removed Deduct .4		
Evacuate & Recharge System	m	1.4
Recover Refrigerant	m	.3

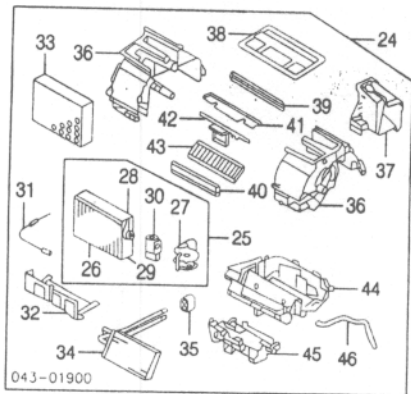
NOTE: R&I/R&R Does Not include recover, evacuate and recharge system.



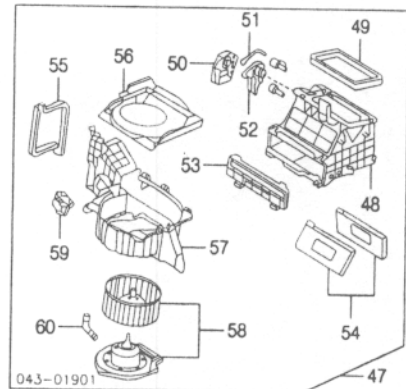
1 Condenser Assy	73210SA000	m	#.6	319.95
#w/Radiator Removed Deduct .4				
2 Condenser	73211SA000	m	.5	299.95
3 Receiver/Drier	73411SA000	m	.5	125.33
4 Seal, Condenser Side	R 73237SA010	L 73237SA000		3.25
5 Seal, Condenser Lower	73237SA020			3.25
6 Mount, Condenser Lower	R/L 73272SA000			8.97
#Included w/Condenser Assy				
7 Label, A/C-See Information Labels Section				
8 Hose Assy, Pressure	73421SA000	m	.5	98.13
9 Valve, Pressure	73058PA000	m	.3	47.13
#Included w/Pressure Hose Assy				
10 Pipe, Condenser	73430SA010	m	.5	98.13
11 Hose Assy, Suction	73422SA010	m	.5	98.13
12 Bracket, Receiver/Drier	73733FA020			26.88
#Included w/Suction Hose Assy				
13 Compressor Assy	73111SA000	m	.9	491.60
14 Clutch, Compressor	73121SA000	m	1.5	217.32
#Included w/Compressor Assy				
15 Bracket, Compressor	73611SA000			168.23
16 Belt, A/C	73323AC000	.5		9.95
17 Cover, A/C Belt				
2.5 X, 2.5 XS Model	73741FE000	#.2		5.83
2.5 XT Model	See Electrical Section			
#Serviced w/Drive Belt Cover				
#Included in R&R Compressor Assy				
18 Bracket, Belt Cover	73137SA000	m	#.6	5.72
19 Pulley, Idler	73131FC000	m	#.6	32.57
20 Shaft, Pulley	73132AC000	m	#.6	8.82
21 Adjuster, Pulley	73134AC001	m	#.6	6.54
#R&R Complete				
22 Bracket, Pulley	73610AC000			21.50
23 Bolt, Flange	73790AC100			2.40

Illustration Located in Next Column

24 Evaporator/Heater Assy				
w/ A/C				
w/ATC				
2003				
To 6-02	72110SA010	m	#.2	316.37
From 6-02	72110SA011	m	#.2	316.37
2004	72110SA011	m	#.2	316.37
w/o ATC	72110SA021	m	#.2	480.34
w/o A/C	03 72110SA041	m	#.2	290.38
#Includes R&I Instrument Panel				
25 Evaporator Assy	73523SA050	m	#1.5	359.95
#w/Glove Box Removed				
26 Core, Evaporator	73523SA010	m	#1.8	316.37



27 Pipe, Evaporator	(a) 73430SA060	m	#1.8	99.55
#R&R Complete, w/Glove Box Removed				
28 Upper	72133SA100	m		17.15
29 Side	72133SA110	m		17.15
30 Valve, Expansion	(a) 73531SA000	m		91.15
(a) Included w/Evaporator Assy				
31 Thermostat				
w/ATC	73540SA010	m		65.33
w/o ATC	73540SA000	m		65.33
32 Seal, Lwr Evaporator Core	72133SA090	m		28.60
33 Plate, Blower				
w/o A/C	03 72228SA000	m		51.47
34 Core, Heater	72130SA010	m	#3.1	308.43
#Includes R&I Instrument Panel				
35 Seal, Heater Core	72133SA130	m		8.97
36 Case, Upper				
w/ATC	R 72120SA050	m		40.03
	L 72120SA070	m		40.03
	R 72120SA060	m		40.03
	L 72120SA080	m		40.03
	72126SA010	m		28.60
	72133SA060	m		8.97
37 Cover, Heater				
38 Seal, Upper Case				
39 Door, Defroster				
2003				
To 6-02	72162SA020	m		22.88
From 7-02	72162SA021	m		22.88
2004	72162SA021	m		22.88
40 Door, Foot Vent	72162SA030	m		22.88
41 Door, Vent	72162SA040	m		28.60
42 Guide, Heater	72157SA010	m		17.15
43 Door, Mix	72162SA050	m		28.60
44 Case, Lower	72120SA090	m		40.03
45 Duct, Foot Air	72127SA030	m		28.60
46 Hose, Drain	73441SA010	m		39.95
#Included w/Evaporator/Heater Assy				



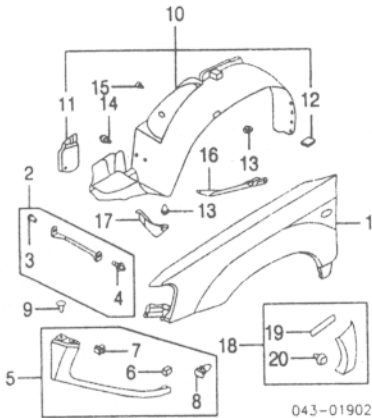
47 Blower Assy				
w/ATC	72210SA010	m	#.8	316.83
w/o ATC	72210SA030	m	#.8	178.05
48 Housing, Blower	72213SA070	m	#1.3	45.75
#w/Glove Box Removed				
49 Seal, Housing	72218SA000	m		6.55
50 Motor, Actuator	72131SA020	m		95.35
51 Rod, Actuator	72217SA000	m		5.72
52 Lever, Actuator	72216SA000	m		6.55
53 Cover, Blower	72254SA050	m		22.88
54 Shutter, Blower	72233SA000	m		34.32
55 Gasket, Blower	72218SA010	m		8.18
56 Case, Upper Blower	72213SA060	m		28.60
57 Case, Lower Blower				
w/ATC	72213SA040	m		40.03
w/o ATC	72213SA050	m		40.03
58 Motor, Blower				
w/ATC	72223SA020	m	#.5	294.40
w/o ATC	72223SA020	m	#.5	294.40
#w/Glove Box Removed				
59 Resistor, Blower	72226SA000	m		55.55
60 Hose, Blower		m		

w/o ATC 72241SA000 22.88
 #Included w/Blower Assy

FRONT FENDER

Use Procedure Explanations 7 and 28 with the following text.

Retinish Fender Outside.....	R/L	1.9
Add to Edge.....	R/L	.5
Retinish Fender Extension Assy.....	R/L	.6
Retinish Fender Moulding Assy.....	R/L	.5
R&I Fender Assy.....	R/L	#3.0
#Includes R&I Bumper Assy, R&I/R&R Combination Lamp Assy, Fender Liner, Fender Extension, Side Moulding & Engine Under Cover, R&R Both Sides 4.5		
R&I Fender Moulding.....	R/L	2



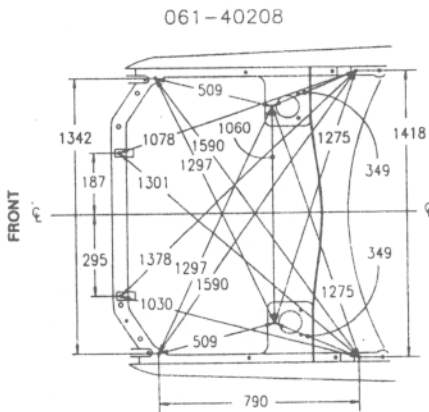
043-01902

1 Fender	R 57110SA0209P	#3.2	169.95
	L 57110SA0309P	#3.2	169.95
#Includes R&I Bumper Assy, R&I/R&R Combination Lamp Assy, Fender Liner, Fender Extension, Side Moulding & Engine Under Cover, R&R Both Sides 4.9			
2 Stay Assy, Fender	R 57121SA000		11.27
	L 57121SA010		11.27
Clip, Fender Stay]]			
3 No. 1	R/L 57160AA000		1.93
4 No. 2	R/L 59130AA000		.84
#Included w/Fender Stay Assy			
5 Extension Assy, Fender			
Black	R 57112SA000VO	2	75.95
	L 57112SA010VO	2	75.95
Blue	R 57112SA000IU	2	75.95
	L 57112SA010IU	2	75.95
Gold	R 57112SA000GH	2	75.95
	L 57112SA010GH	2	75.95
Green	R 57112SA000FF	2	75.95
	L 57112SA010FF	2	75.95
Red	R 57112SA000UD	2	75.95
	L 57112SA010UD	2	75.95
Silver	R 57112SA000TG	2	75.95
	L 57112SA010TG	2	75.95
White	R 57112SA000WG	2	75.95
	L 57112SA010WG	2	75.95
Paint to Match	R 57122SA000	2	23.17
	L 57122SA010	2	23.17
6 Spacer, Extension]]	R/L 57151SA020		1.98
7 No. 1 (3/Side)]	R/L 57160FC010		.98
8 No. 2]]	R/L 57160FC000		1.08
9 No. 3 (2/Side)	R/L 909130059		.98
#Included w/Fender Extension Assy			
10 Liner Assy, Fender			
2003			
To 12-02	R 59110SA000	.4	47.68
	L 59110SA010	.4	47.68
From 1-03	R 59110SA001	.4	47.68
	L 59110SA011	.4	47.68
2004	R 59110SA001	.4	47.68
	L 59110SA011	.4	47.68
11 Plate, End]]	R 59123SA020		16.33
12 Clip, Liner			
No. 1]]	R/L 759114020		.92
13 No. 2			
2003 (8/Side)	R/L 59122FA010		1.48
2004 (12/Side)	R/L 59122FA010		1.48
14 No. 3 (3/Side)	R/L 57728AC090		.80
15 No. 4	R/L 46064AE000		.98
#Included w/Fender Liner Assy			
16 Bracket, Frame	R 59140SA000		4.07
	L 59140SA010		4.07
17 Filler, Lower	R 59123SA000		5.23
	L 59123SA010		5.23
18 Moulding Assy, Fender			
2.5 X Model	R 91112SA200	2	17.98
	L 91112SA210	2	17.98
2.5 XS, 2.5 XT Model			
Black	R 91119SA100VO	2	29.75
	L 91119SA110VO	2	29.75
Gold	R 91119SA100GH	2	29.75
	L 91119SA110GH	2	29.75
Gray	R 91119SA100MA	2	29.75
	L 91119SA110MA	2	29.75
Red	R 91119SA100UD	2	29.75
	L 91119SA110UD	2	29.75

Silver	L 91119SA110UD	2	29.75
	R 91119SA100TG	2	29.75
	L 91119SA110TG	2	29.75
White	R 91119SA100WG	2	29.75
	L 91119SA110WG	2	29.75
Paint to Match	R 91112SA100	2	21.23
	L 91112SA110	2	21.23
19 Protector, Moulding]]	R/L 91088FC000		6.43
20 Clip, Moulding]] (a)			
2003			
To 9-02	R/L 909130088		2.47
From 9-02	R/L 909140020		.98
2004	R/L 909140020		.98
#Included w/Fender Moulding Assy (a) As Required			

UNDERHOOD DIMENSIONS

2003



061-40208

2004

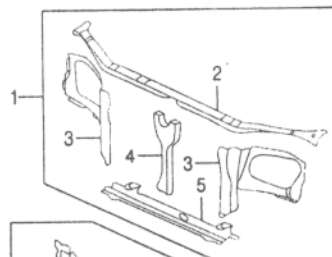
Information not available at time of publication.

FRONT INNER STRUCTURE

Use Procedure Explanations 8 and 28 with the following text.

FRONT

Retinish Radiator Support Assy Complete.....	1.5
Retinish Upper Tie Bar.....	.5
Retinish Side Support Panel.....	R/L .5
Retinish Lower Tie Bar.....	.5
Add to R&R Radiator Support Assy w/ A/C.....	m #2
#Includes R&I/R&R A/C Condenser	
To Aim Lamps.....	.4
Evacuate & Recharge System.....	m 1.4
Recover Refrigerant.....	m .3



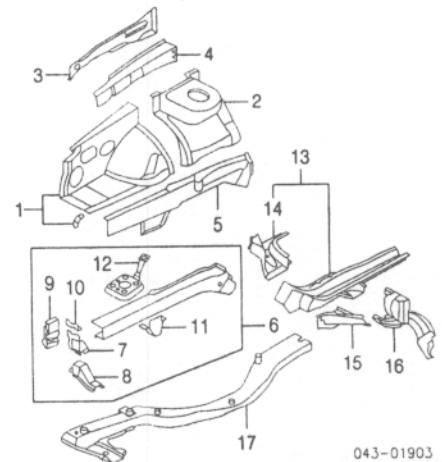
043-01832

1 Support Assy, Radiator	53010SA0009P	s #7.4	309.50
#Includes R&I Grille Assy, R&I/R&R Combination Lamp Assemblies, Hood Latch & Support, Battery, Horns, Coolant Tank, Air Duct, Radiator, Fan and Shroud as an Assy & Disconnect & Connect Hood Release Cable, Wiring &/or Harness			
2 Bar, Upper Tie]]	53060SA0009P	s #1.5	61.72
#Deduct .5 for Each Side Support Panel Removed			
3 Panel, Side Support]]	R 53010SA0109P	s 1.5	46.28

4 Support, Hood Latch]]	L 53010SA0209P	s 1.5	46.28
5 Bar, Lower Tie]]	53040SA0009P	.3	39.55
	53010SA0309P	s #2.0	80.23
#Included w/Radiator Support Assy			
6 Crossmember Assy, Lower	51629SA0009P	s #2.0	185.40
7 Bar, Lower Tie]]	53010SA0309P	s #2.0	80.23
8 Plate, Lower Tie Bar]]	R 51635SA0009P	s #2.0	24.52
	L 51635SA0109P	s #2.0	24.52
9 Crossmember, Lower]]	51620SA0409P	s #2.0	32.67
#R&R Complete, Deduct .5 for Each Side Support Panel Removed			
10 Gusset, Crossmember]]	R 51636SA0009P		16.33
	L 51636SA0109P		16.33
#Included w/Lower Crossmember Assy			

SIDE

Retinish Apron/Rail Assy.....	R/L	2.0
Retinish Front Apron.....	R/L	.5
Retinish Rear Apron.....	R/L	.5
Retinish Apron Upr Otr Reinf.....	R/L	.5
Retinish Front Rail.....	R/L	1.0



043-01903

1 Apron, Front	R 51602FE020	s 4.5	299.98
	L 51602SA0209P	s 4.5	208.88
2 Apron, Rear	R 51625FE000	s #3.0	128.97
	L 51625FE010	s #3.0	128.97
#w/Front Apron Removed			
3 Reinf, Apron Upper Otr	R 51021SA0009P	s #1.5	42.47
	L 51021SA0109P	s #1.5	42.47
4 Reinf, Apron Upper Inr	R 51610FE020	s #1.5	69.98
	L 51610FE030	s #1.5	69.98
#R&R One Side Complete			
5 Plate, Closing	R 51615FE001	s 1.5	299.98
	L 51615FE011	s 1.5	299.98
6 Rail Assy, Front	03 R 51620SA0209P	s #6.5	133.2
	L 51620SA0309P	s #6.5	133.2
	04 R 51620SA1709P	s #6.5	133.2
	L 51620SA1809P	s #6.5	133.2
#w/Support Panel Removed Deduct .5, w/Front Apron Removed Deduct 3.0			
7 Plate, Lower Tie Bar]]	R 51635SA0009P		24.5
	L 51635SA0109P		24.5
8 Gusset, Crossmember]]	R 51636SA0009P		16.33
	L 51636SA0109P		16.33
9 Bracket, Fender]]			
2003			
To 8-02	R 51625SA0009P		26.1
	L 51625SA0109P		26.1
From 9-02	R 51625SA0019P		26.1
	L 51625SA0119P		26.1
2004	R 51625SA0019P		26.1
	L 51625SA0119P		26.1
10 Bracket, Bumper]]	R 51625SA0209P		21.2
	L 51625SA0309P		21.2
11 Bracket, Crossmember]]	R 51625FE100		29.4
	L 51625FE110		29.4
12 Bracket, Washer Tank]]	R 51625SA160		34.3
#Included w/Front Rail Assy			
13 Rail Assy, Rear	R 51620SA0909P	s #4.5	224.2
	L 51620SA1009P	s #4.5	224.2
#w/Front Rail Removed Deduct 1.5			
14 Reinforcement, Rail]]	R 51630FE041		26.1
	L 51630FE051		26.1
#Included w/Rear Rail Assy			
15 Bracket, Rail	R 51620FE150		24.1
	L 51620FE160		24.1
16 Bracket, Center	51625FE510		63.
17 Crossmember, Rail	R 50515SA000	.6	210.
	L 50515SA010	.6	210.

ELECTRICAL COMPONENTS

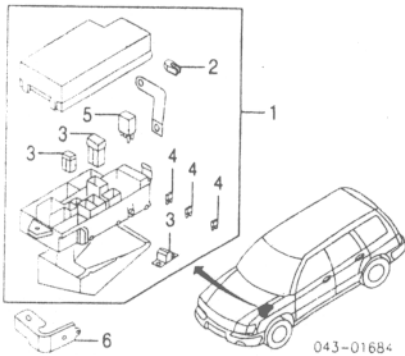
Illustration Located in Next Column

1 Box Assy, Fuse			
------------------	--	--	--

SUBARU FORESTER 2003-04

FRONT INNER STRUCTURE Cont'd

ELECTRICAL COMPONENTS Cont'd



2.5 X, 2.5 XS Model	82231SA000	m	140.20
2.5 XT Model	82231SA200	m	140.20
2 Puller, Fuse ¹⁾	82233FC000		2.02
3 Fuse, Main ¹⁾			
30 Amp (2)	82211FC030	m	1.82
50 Amp (3)	82211FC050	m	1.82
100 Amp	82211FC100	m	20.07
4 Fuse, Secondary ¹⁾			
10 Amp			
2003 (6)	82210FC010	m	1.40
2004 (4)	82210FC010	m	1.40
15 Amp			
2003 (16)	82210FC015	m	1.40
2004 (11)	82210FC015	m	1.40
20 Amp			
2003 (4)	82210FC020	m	1.40
2004 (2)	82210FC020	m	1.40
30 Amp (2)	82210FC030	m	3.83
5 Relay ¹⁾			
2003 (5)	82501FC000	m	2 39.20
2004 (3)	82501FC000	m	2 39.20
¹⁾ Included w/Fuse Box Assy			
6 Bracket, Fuse Box	81041SA000		9.80

AIR BAG SYSTEM

NOTE 1: R&R Does Not include disable and enable or diagnose Air Bag System.

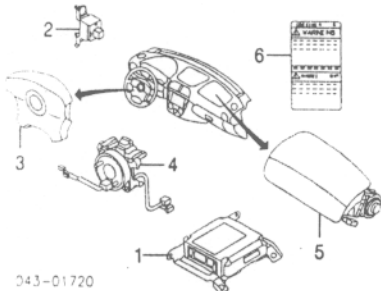
NOTE 2: Refer to Procedural Explanation 30 for Supplemental Restraint/Air Bag System Component Inspection and Replacement Information.

NOTE 3: For Air Bag System Service procedures, refer to Manufacturer's Service Repair Manual or Mitchell's Air Bag Service and Repair Manual.

FRONT

Disable & Enable Air Bag System.....	m	3
Diagnose Air Bag System.....	m	#5

¹⁾Includes Disconnect & Connect Scan Tool & Retrieve/Clear Trouble Codes

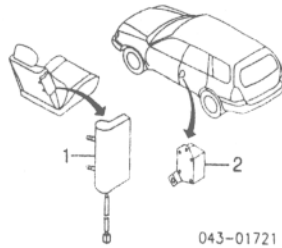


1 Module, Air Bag Control	03 98221SA031	m	6 683.19
	04 98221SA080	m	6 683.19
2 Sensor, Front Impact	R 98231SA000	m	#2 95.35
	L 98231SA010	m	#2 95.35
¹⁾ w/Grille Assy Removed			
3 Module, Driver Air Bag	98211SA020	m	3 704.87
4 Clockspring ¹⁾	83116SA010	m	1.1 252.35
¹⁾ Included w/Combination Switch Assy-listed in Steering Wheel/Column Section			
5 Module, Passenger Air Bag	98271SA010ML	m	#7 952.96
¹⁾ w/Glove Box Removed			
6 Label, Air Bag-See Information Labels Section			

SIDE

Disable & Enable Air Bag System.....	m	3
Diagnose Air Bag System.....	m	#5

¹⁾Includes Disconnect & Connect Scan Tool & Retrieve/Clear Trouble Codes

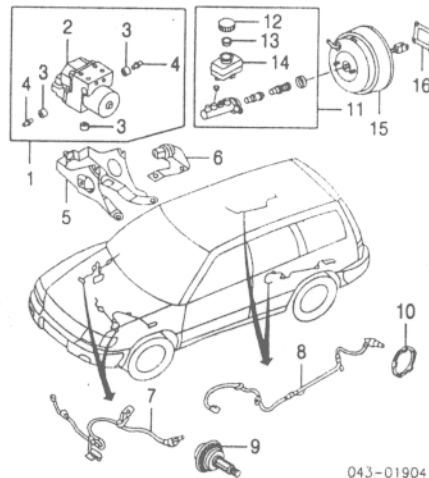


1 Module, Side Air Bag	03 R 98201SA020	m	#8 455.46
	L 98201SA030	m	#8 455.46
	04 R 98201SA040	m	#8 455.46
	L 98201SA050	m	#8 455.46
¹⁾ w/Front Seat Assy Removed			
2 Sensor, Side Air Bag	R 98235SA020	m	#2 469.91
	L 98235SA030	m	#2 469.91
¹⁾ w/Trim Removed			

ABS/BRAKES

Bleed System.....m .6

NOTE: R&R Does Not include bleed brake system.

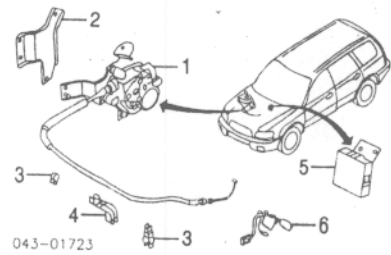


1 Actuator Assy, ABS			
Man Trans	27594SA011	m	1.0 759.95
Auto Trans	27594SA001	m	1.0 759.95
2 Control Unit, ABS ¹⁾			
Man Trans	27529SA011	m	1.2 346.87
Auto Trans	27529SA001	m	1.2 346.87
3 Damper, Actuator ¹⁾ (2)	27532AC020	m	13.35
4 Bolt, Stud ¹⁾ (2)	27537AC020	m	2.67
¹⁾ Included w/ABS Actuator Assy			
5 Bracket, Actuator	27535AC100	#2	29.42
¹⁾ w/Actuator Assy Removed			
6 G-Sensor, ABS	27540FA022	m	5 276.05
7 Sensor, Front ABS	R 27540AE020	m	6 129.95
	L 27540AE030	m	6 129.95
8 Sensor, Rear ABS	R 27540SA000	m	6 164.03
	L 27540SA010	m	6 164.03
9 Rotor, Front ABS Sensor ¹⁾ -See Front Drive Axle Section			
¹⁾ Serviced w/Outer Joint			
10 Rotor, Rear ABS Sensor	R/L 26750AA014	m	80.85
11 Cylinder Assy, Brake Master			
2003			
To 2-03	26401FA030	m	6 129.95
From 3-03	26401FA031	m	6 159.95
2004	26401FA031	m	6 159.95
12 Cap, Cylinder ¹⁾	26453AC000	m	9.95
13 Filter, Cylinder ¹⁾	26448AC110	m	8.00
14 Reservoir, Cylinder ¹⁾	26451AC000	m	#2 19.70
¹⁾ Included w/Brake Master Cylinder Assy			
¹⁾ Included in R&R Brake Master Cylinder			
15 Booster, Brake	03 26402SA060	m	#1.3 288.80
	04 26402SA070	m	#1.3 288.80
¹⁾ Includes R&R Brake Master Cylinder			
16 Seal, Brake Booster	725042000	m	1.73

CRUISE CONTROL SYSTEM

Illustration Located in Next Column

1 Actuator, Cruise	87012SA010	m	.5 220.82
--------------------	------------	---	-----------



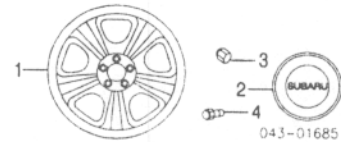
2 Bracket, Actuator	87015FE000		7.87
Clip, Hose			
3 Outer	R 909205037	m	1.82
	L 909205036	m	.60
4 Inner	37122FA020	m	2.05
5 Computer, Cruise	87022SA010	m	5 274.35
6 Switch, Cruise ¹⁾ -See Steering Wheel/Column Section			
¹⁾ Included w/Steering Wheel Assy			

WHEEL

Use Procedure Explanation 10 with the following text.

STEEL WHEEL

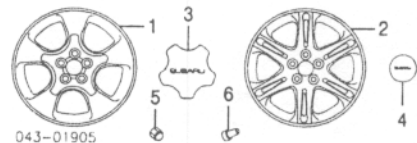
Refinish Wheel.....	5
Add to R&I Spare Wheel & Tire Assy.....	2



1 Wheel, Steel	28111SA000	.3	123.77
2 Cap, Center	28811FC000		9.95
3 Nut, Lug	623006021		1.95
4 Stem, Valve	23142GA040		2.43

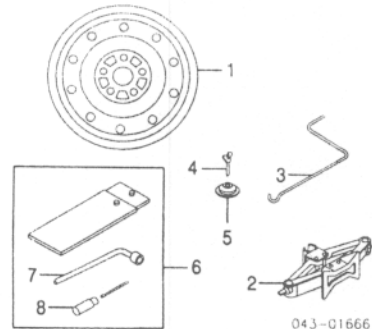
ALLOY WHEEL

Add to R&I Spare Wheel & Tire Assy.....	2
---	---



Wheel, Alloy			
1 2.5 XS Model	28111SA020	.3	137.76
2 2.5 XT Model	28111SA030	.3	320.28
Cap, Center			
3 2.5 XS Model	28811AC020		5.31
4 2.5 XT Model	28811AE000		12.85
5 Nut, Lug	623006021		1.95
6 Stem, Valve	23142GA040		2.43

SPARE WHEEL & HARDWARE



1 Wheel, Spare	28111FC070		138.93
2 Jack	97030FC110		67.35
3 Handle, Jack	97040AC010		7.35
4 Holder, Spare Tire	97052FE000		6.55
5 Support, Spare	97052PA010		6.55
6 Tool Kit, Spare	97010AA000		43.95
7 Wrench, Lug ¹⁾	694005092		d16.72
8 Screwdriver ¹⁾	694003040		7.03
¹⁾ Included w/Spare Tool Kit			

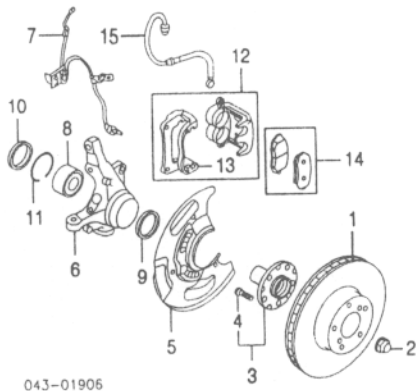
FRONT SUSPENSION

Use Procedure Explanation 11 with the following text.

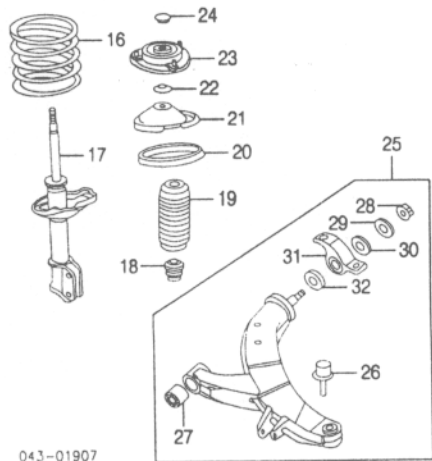
R&I Suspension	R/Lm	1.5
O/H Suspension (Includes R&I)		
One Side	R/Lm	4.3
Both Sides	m	8.0
Adjust Front Wheel Alignment	m	1.6
Adjust Front Alignment	m	1.0
Bleed Brake System	m	.6

NOTE 1: R&I/R&R or O/H Does Not include alignment or bleed brake system.

NOTE 2: All Parts in this section are included in overhaul unless noted otherwise.



1 Rotor, Brake	R/L	26300AE060	m	#.6	74.95
#R&R Both Sides 1.0					
2 Nut, Axle	R/L	28044AA000	m		4.37
3 Hub Assy	R/L	28362AE000	m	#3.1	102.48
4 Bolt, Hub	R/L	28055AA002	m		2.23
[Included w/Hub Assy]					
5 Shield, Splash	R	26290FE000	m	#3.1	19.58
	L	26290FE010	m	#3.1	19.58
6 Knuckle, Steering	R	28313AE020	m	#3.1	127.58
	L	28313AE030	m	#3.1	163.28
7 Sensor, Front ABS-See ABS/Brakes Section					
8 Bearing					
2003	R/L	28016AA011NT	m	#3.1	74.50
To 1-03	R/L	28316FE000	m	#3.1	53.42
From 2-03	R/L	28316FE000	m	#3.1	53.42
2004	R/L	28015AA070	m	#3.1	8.83
9 Seal, Outer	R/L	28015AA021	m	#3.1	10.70
10 Seal, Inner	R/L	28035AA010	m	#3.1	2.95
11 Ring, Snap	R/L	28035AA010	m	#3.1	2.95
#R&R One Side Complete, Includes R&R Rotor, R&R Both Sides 6.0					
12 Caliper Assy, Brake	R	26292SA000	m	#.5	279.40
	L	26292SA010	m	#.5	279.40
#R&R Both Sides .8, w/Rotor Removed Deduct .3					
13 Support, Caliper	R	26225SA000	m		66.98
	L	26225SA010	m		66.98
[Included w/Brake Caliper Assy]					
14 Pad Set, Brake	R	26296SA000	m	#1.0	79.95
#Deduct .5 for Each Caliper Removed					
15 Hose, Brake	R	26540AE010	m	#.3	32.67
	L	26540AE030	m	#.3	32.67
#w/Caliper Removed Deduct .2					



16 Spring, Coil	R/L	20330SA090	m	#2.0	70.23
[Order by Application]					
17 Strut					

2003					
To 1-03	R	20310SA000	m	#2.0	129.95
	L	20310SA010	m	#2.0	129.95
From 1-03	R	20310SA041	m	#2.0	159.95
	L	20310SA051	m	#2.0	159.95
2004	R	20310SA041	m	#2.0	159.95
	L	20310SA051	m	#2.0	159.95
18 Bumper	R/L	20321AA101	m	#2.0	24.67
19 Cover, Dust	R/L	20322AE01A	m	#2.0	3.67
20 Seat, Lower	R/L	20325FA000	m	#2.0	13.28
21 Mount, Strut	R/L	20323FA000	m	#2.0	13.28
22 Spacer, Strut	R/L	20326AA000	m	#2.0	3.12
23 Base, Strut Mount	R/L	20320AA110	m	#2.0	69.95

#R&R One Side Complete, R&R Both Sides 3.8, w/Knuckle Removed Deduct 1.5

24 Seal, Dust	R/L	20326AA120	m		2.95
25 Arm Assy, Lower Control	R	20202SA000	m	#1.0	350.48
	L	20202SA010	m	#1.0	350.48

#w/Knuckle Removed Deduct .6, R&R Both Sides 1.8

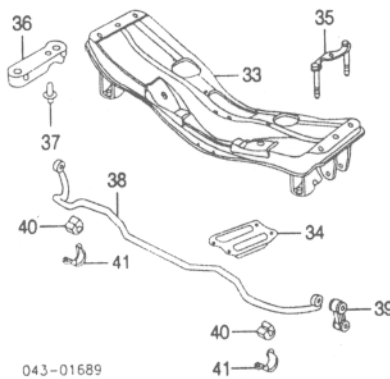
26 Joint, Ball	R/L	21067GA050	m	#.9	36.98
#R&R Both Sides 1.6, Not Included in O/H					

27 Bushing, Front-[Serviced w/Lower Control Arm Assy]

28 Nut, Self-Lock	R/L	20207AA000	m	#.3	3.87
29 Washer, Nut	R/L	20216SA000	m	#.3	3.25
30 Stopper, Outer	R/L	20126SA010	m	#.3	6.87
31 Bushing, Rear	R	20201FC120	m	#.3	81.88
	L	20201FC130	m	#.3	81.88
32 Stopper, Inner	R/L	20126SA000	m	#.3	6.87

[Included w/Suspension Arm Assy]

#R&R One Side Complete, w/Arm Assy Removed, Not Included in O/H



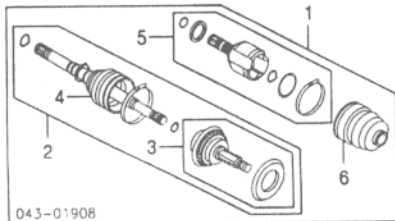
33 Crossmember, Susp					
2.5 X, 2.5 XS Model	20101SA010	m	#5.8	238.33	
2.5 XT Model	20101SA000	m	#5.8	238.33	
#Includes R&R Lower Control Arms, Stabilizer Bar, Front Exhaust Pipe, Steering Gear Assy & Engine Mounts, Not Included in O/H					
34 Plate, Jack		20510AA000	m		9.95
35 U-Bolt	R/L	20510SA000	m		13.25
36 Adapter, Crossmember	R/L	20570ACC040	m		40.87
37 Clip, Adapter	R/L	57728ACC090	m		.80
38 Bar, Stabilizer					
2.5 X, 2.5 XS Model	20401SA000	m	#.6	91.15	
2.5 XT Model	20401SA010	m	#.6	91.15	
#Includes R&R Links, Bushings & Brackets, Not Included in O/H					
39 Link, Stabilizer	R/L	20470SA000	m	#.3	24.52
40 Bushing, Stabilizer	R/L	20401AC031	m	#.3	17.03
41 Bracket, Stabilizer	R/L	20416FE000	m	#.3	4.90

#R&R One Side Complete, Included in R&R Stabilizer Bar, Not Included in O/H

FRONT DRIVE AXLE

R&I Axle Shaft Assy	R/Lm	#.7
O/H Axle Shaft Assy (Includes R&I)	R/Lm	#1.1
#w/Knuckle Removed Deduct .5		

NOTE 1: R&I/R&R or O/H Does Not include alignment or bleed brake system.



1 Shaft Assy, Axle					
Man Trans	R/L	28321SA030	m	#.7	358.33
2.5 X, 2.5 XS Model	R/L	28321SA050	m	#.7	375.51
2.5 XT Model	R/L	28321SA030	m	#.7	358.33
Auto Trans	R/L	28321SA030	m	#.7	358.33
#w/Knuckle Removed Deduct .5					
2 Shaft Assy, Outer Axle					

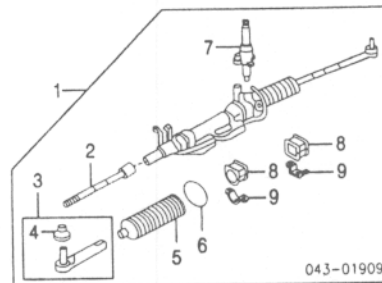
Man Trans						
2.5 X, 2.5 XS Model	R/L	28391SA000	m	#1.1	309.73	
2.5 XT Model	R/L	28391SA020	m	#1.1	309.73	
Auto Trans	R/L	28391SA000	m	#1.1	309.73	
3 Joint, Outer	(a)	R/L	28393SA010	m	#1.1	265.48
4 Boot, Outer Joint	(a)	R/L	28023FC000	m	#1.1	16.95
(a) Included w/Outer Axle Shaft Assy						
5 Joint, Inner						
Man Trans						
2.5 X, 2.5 XS Model	R/L	28392SA000	m	#1.1	189.63	
2.5 XT Model	R/L	28392SA010	m	#1.1	189.63	
Auto Trans	R/L	28392SA000	m	#1.1	189.63	
6 Boot, Inner Joint						
Man Trans						
2.5 X, 2.5 XS Model	R/L	28323SA020	m	#1.1	17.70	
2.5 XT Model (a)	R/L	28323SA030	m	#1.1	15.00	
[Included w/Axle Shaft Assy]						
(a) Order by Application						
#R&R One Side Complete, w/Knuckle Removed Deduct .5						

FRONT STEERING LINKAGE/GEAR

R&I Steering Gear	m	2.4
O/H Steering Gear (Includes R&I)	m	3.6

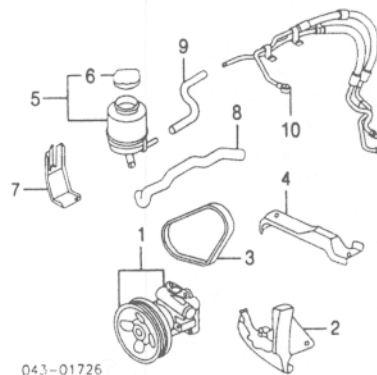
NOTE 1: R&I/R&R or O/H Does Not include adjust wheel alignment.

NOTE 2: All Parts in this section are included in overhaul unless noted otherwise.



1 Gear Assy		34110SA030	m	2.4	676.66	
2 Rod, Tie	R/L	34160AE000	m	#.6	49.95	
#Includes R&R Tie Rod End & Boot						
3 End Assy, Tie Rod	R/L	34141AA042	m	#.3	44.93	
4 Seal, Dust	(a)	R/L	731335000	m	#.3	4.25
(a) Included w/Tie Rod End Assy						
#R&R One Side Complete						
5 Boot, Tie Rod	R/L	34137SA000	m	#.6	18.47	
#Includes R&R Tie Rod End						
6 Clamp, Boot	R/L	34128SA000	m		7.37	
7 Valve, Pinion	R/L	34113SA000	m	3.6	349.12	
8 Bushing, Mount	R	34115AA030			11.38	
	L	34115AA020			14.18	
9 Clamp, Bushing	R	34120AA000			4.20	
	L	34120AA010			4.20	
[Included w/Gear Assy]						

STEERING PUMP



1 Pump, Steering					
2.5 X, 2.5 XS Model	34430SA010	m	1.1	359.99	
2.5 XT Model	34430SA000	m	1.1	359.99	
2 Bracket, Steering Pump/Alternator	22870AA110			58.80	
3 Belt, Drive-See Electrical Section					
4 Cover, Drive Belt					
2.5 X, 2.5 XS Model	22830AA000			16.50	
2.5 XT Model-See Electrical Section					
5 Reservoir Assy, Fluid	34630SA001	m	#.5	88.22	
#Included in R&R Steering Pump					
6 Cap, Reservoir	34631AE001			8.18	
[Included w/Fluid Reservoir Assy]					
7 Bracket, Tank	34633SA000			11.43	
8 Hose, Suction	34611SA010	m	.6	40.03	
9 Hose, Return	34611SA000	m	.6	34.32	
10 Hose, Pressure					

SUBARU FORESTER 2003-04

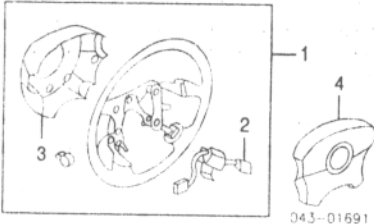
STEERING PUMP Cont'd

2.5 X, 2.5 XS Model 2003				
To 11-02	34610SA031	m	.6	224.32
From 11-02	34610SA031	m	.6	224.32
2004	34610SA031	m	.6	224.32
2.5 XT Model	34610SA051	m	.6	224.32

STEERING WHEEL/COLUMN

NOTE: All Parts in this section are included in overhaul unless noted otherwise.

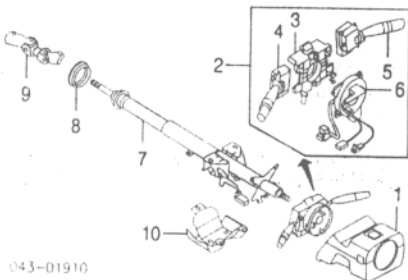
WHEEL & TRIM



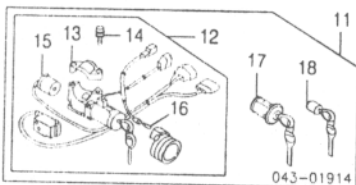
1 Wheel Assy, Steering 2.5 X Model w/Cruise Control	34311FE060	m	.5	305.07
w/o Cruise Control	34311FE050	m	.5	347.70
2.5 XS Model†	03 34311SA030	m	.5	464.86
	04 34311SA070	m	.5	464.86
2.5 XT Model†	34311SA070	m	.5	464.86
†Order by Application				
2 Switch, Cruise Control (a)	83151AE000	m	.3	65.98
3 Cover, Lower (a) 2.5 X Model				
w/Cruise Control	34317FE030	m	#.7	14.37
w/o Cruise Control	34317FE020	m	#.7	14.37
2.5 XS, 2.5 XT Model	34317FE030	m	#.7	14.37
(a) Included w/Steering Wheel Assy				
‡Includes R&R Steering Wheel				
4 Module, Driver Air Bag-See Air Bag System Section				

COLUMN TILT

R&I Steering Column	m	1.0
O/H Steering Column (Includes R&I)	m	1.9



1 Cover, Column	34341AE010ML	m	.5	29.42
2 Switch Assy, Combination	83111SA060	m	.9	369.95
3 Body, Combination Switch†	83119AE000	m	#1.1	22.88
4 Switch, Headlamp†	83118FC030	m	#1.1	79.95
5 Switch, Wiper†	83114SA010	m	#1.1	116.35
†R&R Complete				
6 Clockspring†-See Air Bag System Section				
‡Included w/Combination Switch Assy				
7 Column, Steering	34500SA010	m	1.2	387.39
8 Boot, Column	34361FC000	m		6.02
9 Yoke	34170SA020	m	.5	121.27
10 Protector, Knee	34351FE000	m	.3	25.22



11 Lock Set, Vehicle Man Trans				
2.5 X Model	57491SA020	#		126.17
2.5 XS, 2.5 XT Model	57491SA050	#		182.25
Auto Trans				
2.5 X Model	57491SA030	#		196.27
2.5 XS, 2.5 XT Model	57491SA060	#		224.32
‡Not Included in O/H				
12 Lock Assy, Steering†				
Man Trans				

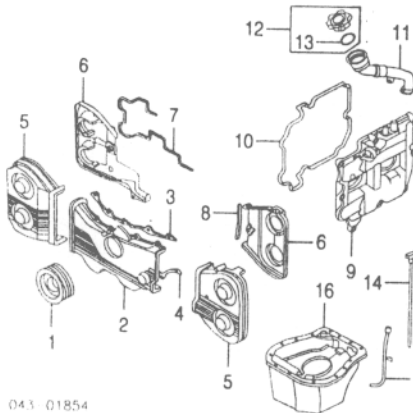
2.5 X Model	83191AE011	m	.7	126.17
2.5 XS, 2.5 XT Model	83191AE031	m	.7	151.42
Auto Trans				
2.5 X Model	83191AE021	m	.7	169.95
2.5 XS, 2.5 XT Model	83191AE041	m	.7	193.48
13 Bracket, Steering Lock† (a)	83141FO000	m		4.95
14 Bolt, Shear† (a) (2)	83140GA000	m		1.04
15 Switch, Ignition† (a)	83139FE000	m	.7	42.47
16 Bulb, Key Lamp† (a)	84661AA030	m		2.95
(a) Included w/Steering Lock Assy				
17 Cylinder Assy, Door Lock†-See Front Door Section				
18 Cylinder, Glove Box Lock†-See Instrument Panel Section				
†Included w/Vehicle Lock Set				

ENGINE/TRANS

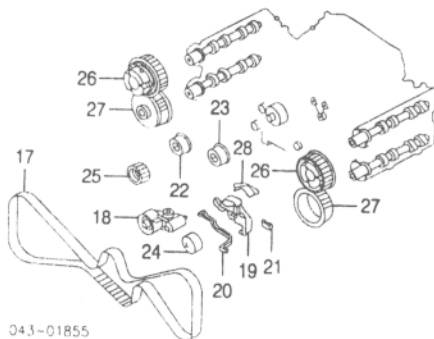
Use Procedure Explanation 12 with the following text.

W/TURBO

R&I Engine/Trans Assy	m	6.7
-----------------------	---	-----



1 Pulley, Crankshaft	12305AA251	m	.5	116.10
2 Cover, Center Timing	13570AA044	m	#1.5	64.60
‡Includes R&R Crankshaft Pulley & Front Side Timing Covers				
3 Seal, Up'r Center Cover	13581AA050	m		19.43
4 Seal, Lwr Center Cover	13594AA000	m		14.37
5 Cover, Frt Side Timing	R 13572AA092	m	.5	22.88
	L 13574AA094	m	.5	24.52
6 Cover, Rear Side Timing Man Trans	R 13573AA130	m		29.42
	L 13575AA130	m		24.52
Auto Trans	R 13573AA120	m		29.42
	L 13575AA103	m		24.52
7 Seal, Rear Cover No. 1	13583AA260	m		3.58
No. 2	13583AA270	m		2.13
No. 3	13583AA280	m		2.13
No. 4 (2)	13583AA290	m		2.13
8 Seal, Rear Cover Upper	L 13597AA020	m		1.98
Lower	L 13597AA031	m		1.98
9 Cover, Valve	R 13264AA310	m	#2.4	95.35
	L 13278AA270	m	#2.4	95.35
‡R&R Both 3.5				
10 Gasket, Valve Cover	R 13270AA190	m		9.58
	L 13272AA140	m		9.58
11 Neck, Eng Oil Filler	15250AA040			22.88
12 Cap Assy, Oil Filler	15255AA060			9.02
13 Seal, Filler Cap†	803942020			3.95
†Included w/Oil Filler Cap Assy				
14 Dipstick, Eng Oil	11140AA046			13.57
15 Tube, Eng Dipstick	15144AA011			21.07
16 Pan, Eng Oil	11109AA052	m	1.9	61.93
Pan, Trans Oil	31390AA081	m	.8	53.90

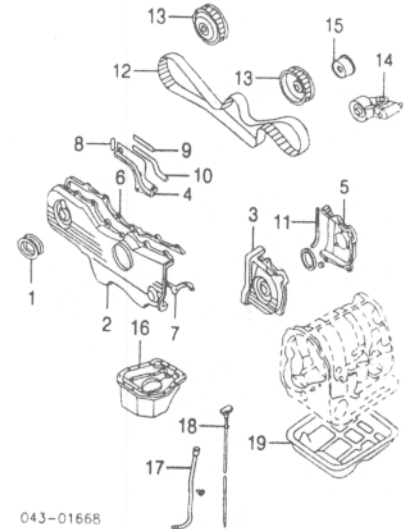


17 Belt, Timing	13028AA200	m	#3.2	129.95
18 Tensioner, Timing Belt	13033AA040	m	#.2	140.20
‡w/Timing Belt Removed				
19 Bracket, Tensioner	13156AA061	m		31.02

20 Seal, Front Bracket	13091AA060	m		4.1
21 Seal, Rear Bracket Pulley, Idler	13091AA050	m		2.0
22 No. 1	13073AA142	m	#1	83.1
23 No. 2	13073AA142	m	#1	83.1
24 No. 3	13073AA220	m	#1	40.8
25 Sprocket, Timing Belt	13085AA080	m	#2	76.7
26 Sprocket, Camshaft				
Intake	R 13320AA000	m	#2	168.2
	L 13322AA000	m	#2	168.2
Exhaust	R 13049AA041	m	#2	78.4
	L 13054AA033	m	#2	78.4
‡w/Timing Belt Removed				
28 Guide, Timing Belt	13145AA020	m		5.0

W/O TURBO

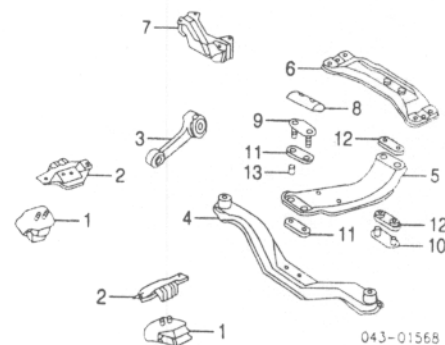
R&I Engine/Trans Assy	m	5.3
-----------------------	---	-----



1 Pulley, Crankshaft	12305AA251	m	.7	116.10
2 Cover, Frt Right Timing Belt	13570AA112	m	#1.5	51.60
3 Cover, Frt Left Timing Belt	13574AA081	m		19.78
‡R&R Complete, w/AVC Add.4				
4 Cover, Rear Right Timing Belt	13573AA091	m	#3.0	9.95
5 Cover, Rear Left Timing Belt	13575AA112	m	#3.0	25.80
‡R&R Complete, Includes R&R Timing Belt				
6 Seal, Frt Right Cover Up'r	13594AA051	m		12.28
7 Seal, Frt Right Cover Lwr	13594AA011	m		13.93
‡Includes R&R Crankshaft Pulley & Outer Timing Covers				
8 No. 1	13583AA190	m		1.77
9 No. 2	13583AA200	m		1.77
10 No. 3	13583AA210	m		2.25
11 Seal, Frt Right Cover Rear Left	13586AA041	m		8.60
12 Belt, Timing	13028AA181	m	#2.5	79.96
‡Includes R&R Crankshaft Pulley & Outer Timing Covers				
13 Sprocket, Camshaft	R 13017AA042	m	#.2	37.85
	L 13019AA041	m	#.2	37.85
14 Tensioner, Timing Belt	13033AA040	m	#.2	140.20
15 Pulley, Idler Upper	13073AA142	m	#1	83.35
Lower	13073AA190	m	#1	40.87
‡w/Timing Belt Removed				
16 Pan, Eng Oil	11109AA092	m	1.9	69.03
17 Tube, Oil Dipstick	15144AA070			16.33
18 Dipstick, Eng Oil	11140AA046			13.57
19 Pan, Trans Oil	03 31390AA080	m	.8	53.90
	04 31390AA081	m	.8	53.90

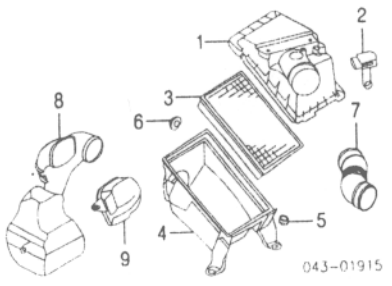
ENGINE/TRANS MOUNTS

MAN TRANS



1				
2				
3				
4				
5				
6				
7				
8				
9				
10				
11				
12				
13				
14				
15				
16				
17				
18				
19				
20				
21				
22				
23				
24				
25				
26				
27				
28				
29				
30				
31				
32				
33				
34				
35				
36				
37				
38				
39				
40				
41				
42				
43				
44				
45				
46				
47				
48				
49				
50				
51				
52				
53				
54				
55				
56				
57				
58				
59				
60				
61				
62				
63				
64				
65				
66				
67				
68				
69				
70				
71				
72				
73				
74				
75				
76				
77				
78				
79				
80				
81				
82				
83				
84				
85				
86				
87				
88				
89				
90				
91				
92				
93				
94				
95				
96				
97				
98				
99				
100				

1 Mount, Engine 2003 To 9-02 From 10-02	R/L 41022FA000 R 41022FE050 L 41022FE060	#.9 #.9 #.9	44.67 75.13 75.13
2004	R 41022FE050 L 41022FE060	#.9 #.9	75.13 75.13
#R&R Both Sides 1.5			
2 Bracket, Eng Mount w/Turbo	R 41031AA281 L 41031AA290		58.25 62.63
w/o Turbo	R 41031FA080 L 41031FA090		13.92 13.92
3 Rod, Stopper	41040AE010	.3	39.22
4 Crossmember, Front 2003 To 6-02 From 7-02	41011SA000 41011SA010 41011SA011	#.9 #.9 #.9	94.77 98.02 98.02
2004	41021AC470	#.9	95.33
5 Crossmember, Center	41021AC470	#.9	95.33
6 Crossmember, Rear #R&R Complete 2.5	41011SA020	#.9	49.00
7 Mount, Trans	41022FE020	.6	89.87
8 Damper, Dynamic	41023AC010		50.32
9 Plate, Front Crossmember	41025AC000		10.08
10 Plate, Rear Crossmember	41025AC040		8.55
11 Cushion, Front Crossmember Upper Lower	41022GA200 41022GA400	4.20 4.20	4.20 4.20
12 Cushion, Rear Crossmember Upper Lower	41022GA400 41022GA200	4.20 4.20	4.20 4.20
13 Spacer, Crossmember (4)	41037AC000		5.58

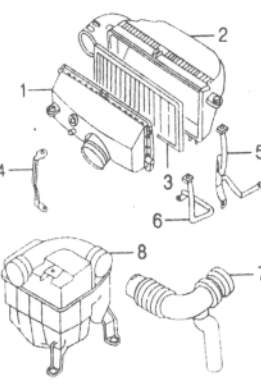


#Includes R&R Upper Air Cleaner Cover & Element

5 Cushion, Lower (2)	46060AC030	1.98
6 Cushion, Side	46060AC050	2.07
7 Duct, Air Cleaner	46023FC040	58.80
8 Chamber, Air Cleaner	46060FE010	.2
9 Duct, Air Intake	46012SA010	21.23

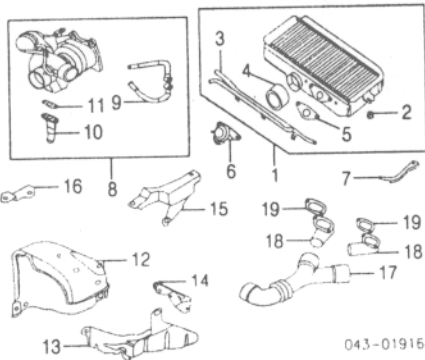
W/O TURBO

R&I Air Cleaner	2	
-----------------	---	--



1 Cover, Frt Air Cleaner	16520AA151	.2	98.13
2 Cover, Rear Air Cleaner	16520AA032	.3	98.14
#Includes R&R Upper Air Cleaner Cover & Element			
3 Element, Cleaner	16546AA07A	.2	14.95
4 Stay, Air Cleaner Frt	16563AA122	5.72	
5 Stay, Air Cleaner Rear	16563AA072	23.20	
6 Man Trans	16563AA083	19.78	
7 Auto Trans	46012SA040	.3	26.13
8 Duct, Air Cleaner	46043SA000	.3	32.67
9 Resonator	46012SA000	21.23	

TURBOCHARGER/INTERCOOLER

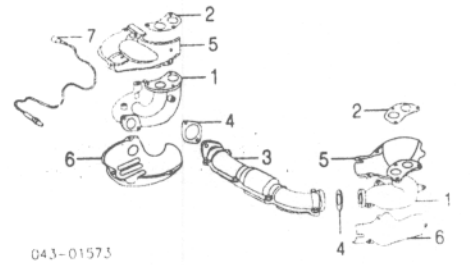


1 Intercooler Assy	21820AA300	m	1.0	600.44
2 Insulator, Intercooler	45668AA000	m		2.30
3 Tube, Vacuum	11852AA062	m		51.47
4 Hose, Air Duct	21869AA110	m		20.73
5 Gasket, By-Pass Valve	21896AA100	m		20.73
#Included w/Intercooler Assy				
6 Valve, Air By-Pass	14471AA160	m	.7	159.83
7 Stay, Intercooler	21885AA163			17.15
8 Turbocharger Assy	14411AA531	m	1.9	946.39
9 Pipe, Inlet	14430AA121	m	.8	80.70
10 Pipe, Outlet	15197AA060	m	.8	30.28
11 Gasket, Outlet Pipe	15196AA060	m		.98
#Included w/Turbocharger Assy				
12 Shield, Upper Heat	44031FE000			40.87
13 Shield, Lower Heat	44031FE020			17.98
14 Bracket, Shield	44021AA012			15.68
15 Stay, Frt Turbocharger	14421AA020			42.05
16 Stay, Rear Turbocharger	14427AA022			9.80

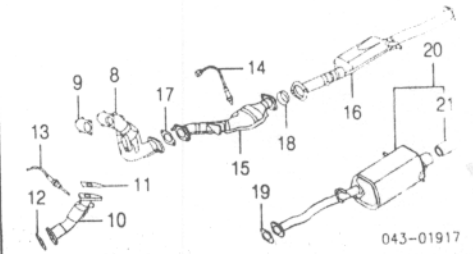
17 Duct, Air Intake	14462AA282	m	#1.6	112.15
18 Housing, Air Intake	R 21830AA031 L 21830AA040	m	#1.6	49.00
#R&R Complete, includes R&R Intercooler				
19 Gasket, Housing	R/L 21896AA110	m		20.73

**EXHAUST
W/TURBO**

R&R Exhaust System Complete #2.0
#Does Not Include R&R Exhaust Manifolds or Heat Shields



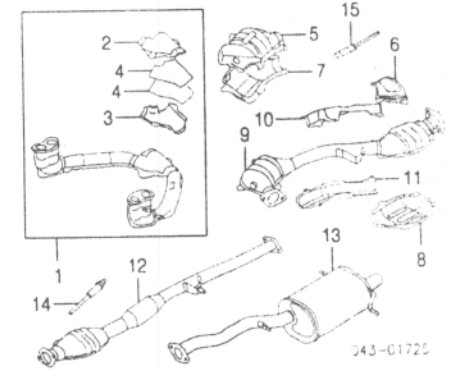
1 Manifold, Exhaust	R 14010AA111 L 14023AA090	m	1.0	316.80
2 Gasket, Manifold	R/L 14038AA000	m		128.97
3 Pipe, Manifold Joint	44101SA020		.8	350.48
4 Gasket, Pipe (2)	44022AA160			18.75
5 Shield, Upper Heat	R 14085AA103 L 14090AA070			53.90 68.27
6 Shield, Lower Heat	R 14086AA093 L 14091AA000			68.27 112.96
7 Sensor, Front Oxygen	22641AA211	m	.5	199.95



8 Pipe, Turbo Outlet Man Trans Auto Trans	44102SA000 44102SA010	#2.3		0.00
#Includes R&R Turbocharger				
9 Gasket, Outlet	44022AA180			19.95
10 Pipe, Exhaust Joint	44104FE080		.8	332.27
11 Gasket, Upper Pipe	44022AA150			13.09
12 Gasket, Lower Pipe	44022AA170			13.09
13 Sensor, Temperature	22629AA012	m	.3	58.89
14 Sensor, Rear Oxygen Man Trans Auto Trans	22690AA520 22690AA491	m	.5	149.95 149.95
15 Pipe, Front Exhaust	44101FE040		.8	0.00
16 Pipe, Center Exhaust	44201SA000		.5	394.86
17 Gasket, Front Pipe	44011FE000			8.67
18 Gasket, Center Pipe	44022AA122			32.58
19 Gasket, Rear Pipe	44022AA131			8.67
20 Muffler Assy	44300SA040		6	365.91
21 Extension, Muffler	44370SA000			57.20
#Included w/Muffler Assy				

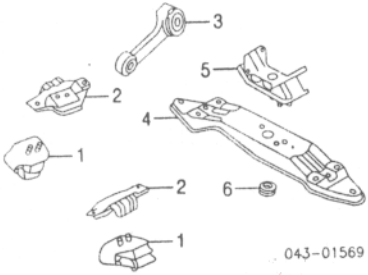
W/O TURBO

R&R Exhaust Complete #2.0
#Does Not Include R&R Exhaust Manifolds



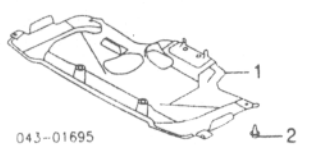
1 Pipe Assy, Front Exhaust Cover, Front Pipe	44109AE030		9	238.37
2 Upper	44132AC551			14.70

AUTO TRANS



1 Mount, Engine 2003 To 9-02 From 10-02	R/L 41022FA000 R 41022FE050 L 41022FE060	#.9 #.9 #.9	44.67 75.13 75.13
2004	R 41022FE050 L 41022FE060	#.9 #.9	75.13 75.13
#R&R Both Sides 1.5			
2 Bracket, Eng Mount w/Turbo	R 41031AA281 L 41031AA290		58.25 62.63
w/o Turbo	R 41031FA080 L 41031FA090		13.92 13.92
3 Rod, Stopper	41040AE010	.3	39.22
4 Crossmember, Trans	41021AC390	.9	87.95
5 Mount, Trans	41022AE120	.6	75.97
6 Cushion, Trans	41022FA050		4.90

ENGINE UNDER COVER



1 Cover, Under 2.5 X, 2.5 XS Model	56410SA000	.3	98.13
2.5 XT Model	56410SA010	.3	98.13
2 Clip, Under Cover (2/Side)	R/L 57728AC090		.80

AIR CLEANER

W/TURBO

R&I Air Cleaner Assy		.3	
----------------------	--	----	--

Illustration Located in Next Column

1 Cover, Upr Air Cleaner #Includes R&R Air Cleaner Element	46052SA000	#.2	101.07	
2 Meter, Air Flow	22680AA310	m	.3	288.13
3 Element, Air Cleaner	16546AA020		.2	14.95
4 Cover, Lwr Air Cleaner	46051AE000	#.3	96.37	

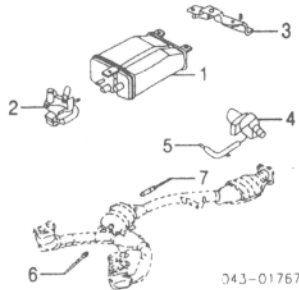
SUBARU FORESTER 2003-04

EXHAUST Cont'd

W/O TURBO Cont'd

3	Lower	44132AC561		13.87
4	Insulator, Front Pipe(2)	44155AC120		3.20
<i>(Included w/Front Exhaust Pipe Assy</i>				
Cover, Catalytic Converter				
5	Front Upper	44132AC871		30.07
6	Rear Upper	44131AE180		21.95
7	Front Lower	44132AC171		25.25
8	Rear Lower	44131AE190		21.95
9	Converter, Catalytic	44139SA000	.8	539.47
Cover, Inner				
10	Upper	44131AE120		15.77
11	Lower	44131AE170		15.77
12	Pipe, Exhaust Rear	44200FE180	.7	211.88
13	Muffler	44300SA010	.5	249.95
14	Sensor, Front Oxygen	22641AA280	m .8	159.95
15	Sensor, Rear Oxygen	22690AA640	m .8	149.95

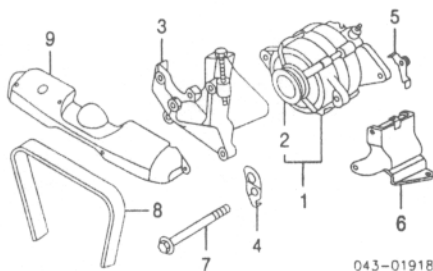
EMISSION SYSTEM



1	Canister	42036AC020	m .4	84.72
Bracket, Canister				
2	Front	03 42052SA060		52.25
		04 42052SA130		0.00
3	Rear	42052SA010		16.00
4	Valve, Solenoid	14774AA601	m .5	66.08
5	Hose, Solenoid Valve	807503440	m	9.95
6	Sensor, Front Oxygen-See Exhaust Section			
7	Sensor, Rear Oxygen-See Exhaust Section			

ELECTRICAL

ALTERNATOR

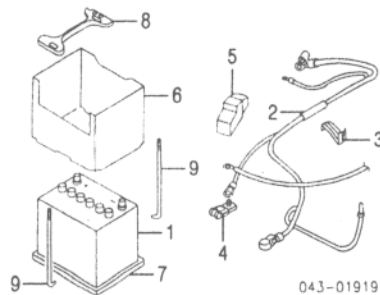


1	Alternator Assy	23700AA370	m .6	429.96
2	Pulley, Alternator	23752AA050	m	78.65
<i>(Included w/Alternator Assy</i>				
Bracket, Steering Pump/Alternator-See Steering Pump Section				
3	Bracket, Alternator Frt			
	w/o A/C	11711AA051		28.35
		11717AA060		3.98
5	Bracket, Alternator Rear			
6	Bracket, Alternator Lwr			
	w/o A/C	11711AA051		28.35
7	Bolt, Alternator	800708380		1.32
8	Belt, Drive	809218300	1.0	17.95
9	Cover, Drive Belt			
	2.5 X, 2.5 XS Model-See Steering Pump Section			
	2.5 XT Model	23774AA010		40.03

BATTERY

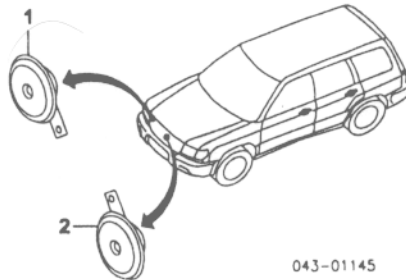
Illustration Located in Next Column

1	Battery	N.A.	2	0.00
2 Cable, Battery				
	Positive/Negative			
	Man Trans	81601SA010	.5	52.25
	Auto Trans	81601SA110	.5	53.90
3	Bracket, Cable	81041FE070	2	5.72
4	Terminal, Positive Cable	81608GA110		12.13
5	Cover, Positive Terminal	81611AA000		4.90



6	Cover, Battery	82123SA000		16.33
7	Tray, Battery	82122AA011		8.50
8	Holder, Battery	82182AA040		8.50
9	Bolt, Battery (2)	82161AA040		3.22

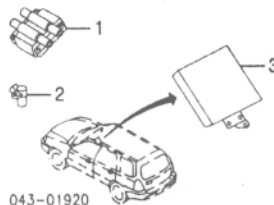
HORN



1	Horn, High Note	86021SA010	.3	0.00
2	Horn, Low Note	86021SA000	.3	0.00

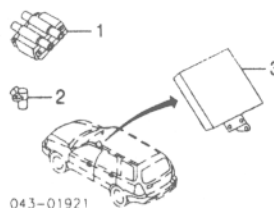
IGNITION W/TURBO

R&R Ignition Coils Complete.....m .6



1	Coil, Ignition (4)	22433AA480	m .3	99.98
2	Sensor, Crank Angle	22053AA052	m .7	23.95
3 Control Unit, EGI				
	Man Trans	22611AJ470	m 1.0	513.80
	Auto Trans	22611AH700	m 1.0	513.80

IGNITION W/O TURBO

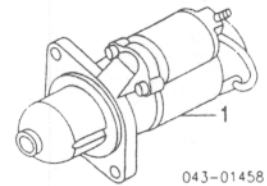


1	Coil, Ignition	22433AA140	m .5	241.47
2	Sensor, Crank Angle	22053AA052	m .6	23.95
3 Control Unit, EGI				
		03 22611AG596	m 1.0	513.80
		04 22611AJ010	m 1.0	513.80

STARTER

Illustration Located in Next Column

1 Starter				
	Man Trans	23300AA450	m 1.0	359.99
	Auto Trans	23300AA460	m 1.0	359.99

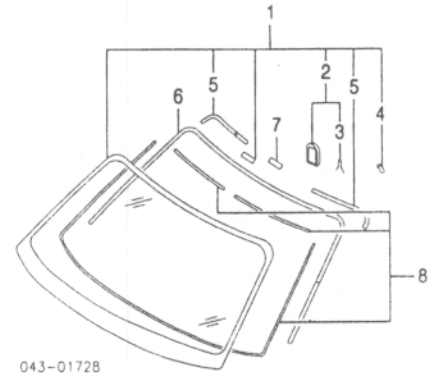


043-01458

WINDSHIELD

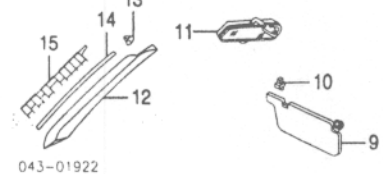
Use Procedure Explanation 13 with the following text.

R&I Windshield #2.4
#Includes Clean Up Old Adhesive as Necessary



043-01728

1 Glass Assy, Windshield				
	Subaru (Green)			
	2.5 X Model	65009SA020	#2.0	533.3
	2.5 XS, 2.5 XT Model	65009SA040	#2.0	648.0
NAGS (Green)				
	Heated	FW02334GGN	#2.0	2250.0
	Non-Heated	FW02333GGN	#2.0	1145.9
<i>#Includes Clean Up Old Adhesive as Necessary</i>				
2	Base Assy, Mirror	92031FC000	.2	12.0
3	Spring, Mirror	92031FC020		5.6
<i>(a) Included w/Mirror Base Assy</i>				
4	Pin, Locator	R 65036SA000		1.5
	L	65035SA010		1.5
	R/L	65078SA010		4.9
<i>#Includes w/Windshield Glass Assy</i>				
5	Seal, Upper	65068SA000	.2	49.5
6	Mldg, Reveal	65026FC000		1.8
7	Fastener, Upper Mldg	65045SA000		11.4
8	Dam, Windshield Up/Slide			



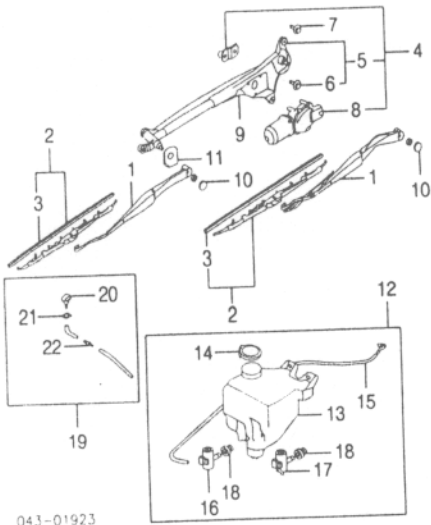
043-01922

9 Visor, Sun				
	Beige	R 92011SA201ES	.2	65.3
		L 92011SA211ES	.2	65.3
	Gray	R 92011SA201NE	.2	65.3
		L 92011SA211NE	.2	65.3
10 Retainer, Visor				
	Beige	R/L 92018AE020ES		4.90
	Gray	R/L 92018AE020NE		4.90
11	Mirror, Rear View	03 X9201SA000	.2	49.98
		04 92021SA000	.2	49.98
12 Mldg, Pillar Garnish				
	Beige	R 94010SA000ES	.2	28.60
		L 94010SA010ES	.2	28.60
	Gray	R 94010SA000ND	.2	28.60
		L 94010SA010ND	.2	28.60
13	Clip, Pillar Garnish (3/Side)	R/L 908100027		1.18
14	Insulator, Pillar	R/L 94070KC000		3.20
15	Pad, Pillar	R 94088SA070		4.90
		L 94088SA060		4.90

WIPER SYSTEM

Illustration Located in Next Column

1 Arm, Wiper				
		R 86532SA030	#2	30.95
		L 86532SA020	#2	30.95
<i>#Includes R&R Wiper Blade Assy & Insert</i>				
2	Blade Assy, Wiper	R SOA591U219	.1	7.95



043-01923

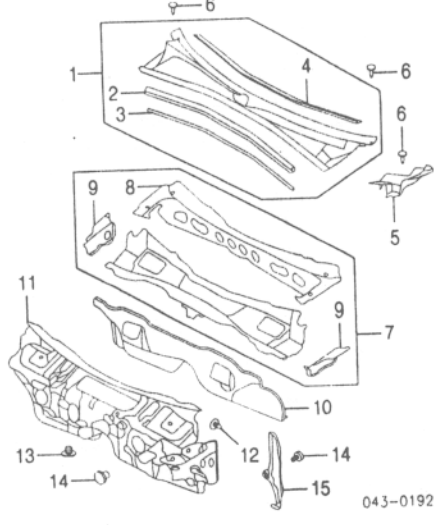
3 Insert, Blade	L SOA591U222 R SOA591U219R L SOA591U222R	.1 .1 .1	9.50 4.95 4.95
#Included w/Wiper Blade Assy			
4 Motor & Link Assy	03 86510SA010 04 86510SA091 03 86521SA010 04 86521SA031	.8 .8	196.27 196.27 83.32 83.32
5 Link Assy, Wiper			
Bolt, Link	901120117	.88	
6 Lower (a)	901250062	.88	
7 Upper			
(a) Included w/Wiper Link Assy			
8 Motor, Wiper	03 86511SA010 04 86511SA030	.8 .8	131.78 131.78
#Included w/Motor & Link Assy			
9 Link, Motor	86522SA000		8.18
10 Cover, Wiper Arm	R/L 86538FA010		4.48
11 Plate, Pivot Mtg Supt	86535SA000		3.25
12 Tank Assy, Washer	86610FC000	#.7	119.95
13 Tank, Washer	86631AC020	#.7	90.20
14 Cap, Tank	86615AA060		9.95
15 Hose, Washer	86655AA030		4.50
Motor & Pump			
16 Front	86611AA010	#.7	69.95
17 Rear	86611AC010	#.7	26.65
#R&R Complete			
18 Grommet, Motor (2)	6862203030		0.00
#Included w/Washer Tank Assy			
19 Nozzle Assy, Washer			
2003			
To 9-02	R 86636SA020 L 86636SA030	#.2 #.2	22.88 19.58
From 10-02	R 86636SA020 L 86636SA031	#.2 #.2	22.88 19.58
2004	R 86636SA020 L 86636SA031	#.2 #.2	22.88 19.58
20 Nozzle, Spray	R/L 86636SA080	#.2	18.88
#Included in R&R Hood			
21 Gasket, Nozzle	R/L 86623FE010		1.44
22 Valve, Washer	R/L 78663A050		3.47
#Included w/Washer Nozzle Assy			

COWL & DASH

Use Procedure Explanations 14 and 28 with the following text.

Illustration Located in Next Column

1 Panel Assy, Cowl Top	91411SA010	#.6	96.37
#Includes R&R Wiper Arms			
Seal, Cowl Panel			
2 Upper Front	91441SA010	.1	22.88
3 Lower Front	91441SA000	.1	4.07
4 Rear	91414SA010	.1	17.15
#Included w/Cowl Top Panel Assy			
5 Panel, Outer Cowl Top	R 91423SA000 L 91423SA010 91167FC020		5.72 5.72 .98
6 Clip, Cowl Top Panel (4)	51121SA0109P		350.48
7 Panel Assy, Cowl	53100SA0109P		168.23
8 Panel, Cowl			24.52
9 Ext, Cowl Panel	R 52760SA0009P L 52760SA0109P		24.52
#Included w/Cowl Panel Assy			
10 Panel, Dash			
2003			
To 11-02	52200FE011	328.07	
From 11-02	52200FE012	332.27	
2004			
2.5 X, 2.5 XS Model			
To 4-03	52200FE012	332.27	
From 4-03	52200FE013	332.27	
2.5 XT Model	52200SA0019P	332.27	



043-01924

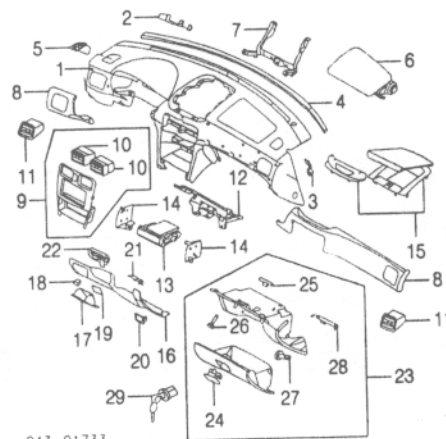
11 Insulator, Dash			
2003			
To 12-02	90815SA060	123.38	
From 1-03	90815SA061	123.38	
2004			
Clip, Insulator			
12 No. 1 (4)	909207002	.64	
13 No. 2 (5)	909205064	.60	
14 No. 3 (4)	909205042	.44	
15 Insulator, Outer			
2.5 XT Model	R 90815SA070 L 90815SA080	34.32	34.32

INSTRUMENT PANEL

Use Procedure Explanation 14 with the following text.

R&I Instrument Panel Assy.....m 2.3

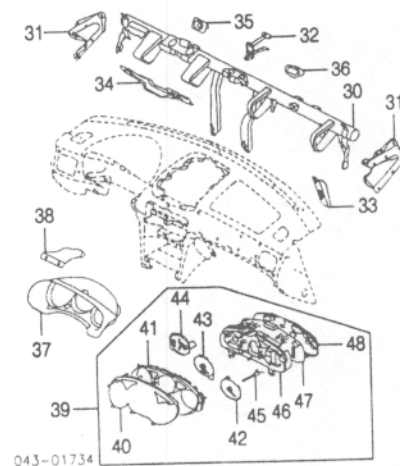
NOTE: All Parts in this section are included in R&R Instrument Panel unless noted otherwise.



043-01733

1 Panel, Instrument			
2.5 X, 2.5 XS Model			
Beige	66055SA010ES	m 5.0	280.38
Gray	66055SA010ND	m 5.0	280.38
2.5 XT Model	N.A.	m 5.0	0.00
Bracket, Side Inst			
2 Upper	R 66201SA160 L 66201SA170 R 66201SA140 L 66201SA150	11.43 11.43 9.80 9.80	
3 Lower			
4 Cushion, Instrument Panel			
2.5 X Model			
2003			
To 12-02	66226FC010	.2	5.72
From 1-03	66226SA100	.2	5.72
2004	66226SA100	.2	5.72
2.5 XS, 2.5 XT Model	66226SA090	.2	2.47
5 Grille, Side Defroster	R 66115SA000ML L 66115SA010ML	.2 .2	5.72 5.72
6 Module, Passenger Air Bag-See Air Bag System Section			16.33
7 Reinf, Air Bag	66203SA000	.3	65.33
8 Panel, Outer Finish	R 66045SA030ML L 66045SA010ML	.3 .3	65.33 65.33
9 Panel Assy, Center Finish	03 66060SA060 04 66060SA090	.4 .4	168.23 168.23
10 Grille, Center Vent (2)	03 66110SA040 04 66110SA041	.2 .2	40.87 40.87

#Included w/Center Finish Panel Assy			
11 Grille, Side Vent	R 66110SA030ML L 66110SA010ML 66203SA110	.2 .2	29.42 29.42 24.52
12 Reinf, Lower			
13 Pocket, Center	66128SA040		24.52
2.5 X Model	R 66201SA090 L 66201SA080		6.55 6.55
14 Bracket, Radio	66130SA000ML		73.53
15 Lid, Compartment			
16 Cover, Lower			
Beige	66075SA010ES	.3	29.42
Gray	66075SA010ND	.3	29.42
17 Box, Coin			
2003			
To 11-02			
Beige	66170SA000ES		10.78
Gray	66170SA000ND		10.78
From 12-02			
Beige	66170SA001ES		10.78
Gray	66170SA001ND		10.78
2004			
Beige	66170SA001ES		10.78
Gray	66170SA001ND		10.78
18 Spring, Coin Box	66267SA000		1.98
19 Label, Fuse-See Information Labels Section			
20 Case, Lower			
Beige	66211FC090ES		8.18
Gray	66211FC090ND		10.02
81041FE060			4.90
66211SA220			16.33
21 Bracket, Panel			
22 Housing, Switch			
23 Glove Box Assy			
Beige	66120SA050ES	.3	110.98
Gray	66120SA050ND	.3	110.98
24 Lock, Glove Box			
Beige	66140SA010ES	.1	21.23
Gray	66140SA010ND	.1	21.23
25 Striker, Latch	66232SA000	.2	3.25
26 Cushion, Glove Box	66153GA000		2.33
27 Clip, Glove Box	R/L 909207024		1.90
28 Damper, Glove Box	66253SA010		6.55
#Included w/Glove Box Assy			
29 Cylinder, Glove Box Lock	57494FC030	.2	29.95
#Included w/Vehicle Lock Set-listed in Steering Wheel/Column Section			



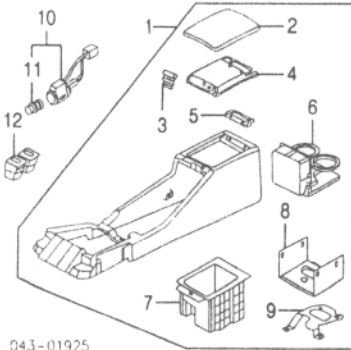
043-01734

30 Beam, Steering	50801SA0209P	#1.5	224.32
#w/Instrument Panel Removed, Not Included in R&R Instrument Panel			
31 Bracket, Beam	R 50853SA0009P L 50853SA0109P		16.33 16.33
Stay Beam			
32 Upper	50811SA0109P		24.52
33 Lower	R/L 50859FE000		5.72
34 Protector, Knee			
2003			
To 12-02	50839FE000	.2	31.02
From 1-03	50839FE001	.2	31.02
2004	50839FE001	.2	31.02
66282SA020		.2	6.38
35 Grommet, Center	R/L 66282AE000		2.63
36 Grommet, Outer	66180SA010		31.02
37 Visor, Meter	66201SA000		4.07
38 Bracket, Meter Visor			
39 Meter Assy, Combination			
Man Trans			
2003			
To 1-03	85012SA100	m .8	435.80
From 1-03	85012SA101	m .8	435.80
2004			
2.5 X, 2.5 XS Model	85012SA551	m .8	435.80
2.5 XT Model	85012SA121	m .8	435.80
Auto Trans			
2003			
To 1-03	85012SA110	m .8	474.54
From 1-03	85012SA111	m .8	474.54
2004			
2.5 X, 2.5 XS Model	85012SA561	m .8	474.54
2.5 XT Model	85012SA131	m .8	474.54
40 Lens, Meter	85075SA000	m #1.1	24.52
41 Plate, Lens	85057SA000	m #1.1	34.32
42 Tachometer			
Man Trans			

INSTRUMENT PANEL Cont'd

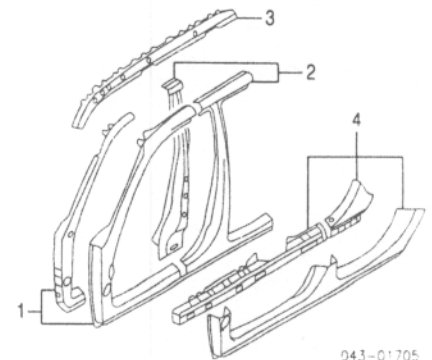
2.5 X, 2.5 XS Model	85040SA020	m #1.1	65.33
2.5 XT Model	85040SA140	m #1.1	65.33
Auto Trans			
2.5 X, 2.5 XS Model	85040SA030	m #1.1	65.33
2.5 XT Model	85040SA150	m #1.1	65.33
43 Speedometer			
2.5 X, 2.5 XS Model	85020SA010	m #1.1	65.33
2.5 XT Model	85020SA120	m #1.1	65.33
44 Meter, Fuel/Temp			
Man Trans			
2.5 X, 2.5 XS Model	85064SA050	m #1.1	89.73
2.5 XT Model	85064SA200	m #1.1	89.73
Auto Trans			
2.5 X, 2.5 XS Model	85064SA060	m #1.1	89.73
2.5 XT Model	85064SA210	m #1.1	89.73
45 Knob, Meter	85077SA000		2.47
46 Case, Meter			
Man Trans	85067SA010	m #1.1	22.88
Auto Trans	85067SA070	m #1.1	34.32
47 Plate, Circuit			
Man Trans			
2003	85083SA050	m #1.1	294.40
2004			
2.5 X, 2.5 XS Model	85083SA500	m #1.1	294.40
2.5 XT Model	85083SA320	m #1.1	294.40
Auto Trans			
2003	85083SA060	m #1.1	294.40
2004			
2.5 X, 2.5 XS Model	85083SA340	m #1.1	294.40
2.5 XT Model	85083SA330	m #1.1	294.40
48 Cover, Meter	85058SA000	m #1.1	9.80

#Included w/Combination Meter Assy
#R&R Complete, Not Included in R&R Instrument Panel



043-01925

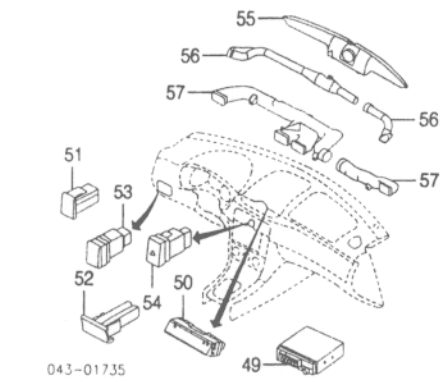
6 Holder, Cup			
Beige	66150SA100ES		44.93
Gray	66150SA100ND		44.93
7 Pocket, Console Box	92174SA010		17.15
8 Bracket, Console Box	92178SA000		7.37
9 Bracket, Rear	92178SA020		6.55
#Included w/Console Box Assy			
10 Lighter Assy, Cigarette	86710SA010		24.52
11 Element, Lighter	86712KC000		1.67
#Included w/Cigarette Lighter Assy			
12 Switch, Seat Heater	R 83075FA000	.2	54.10
	L 83075FA010	.2	54.10



043-01705

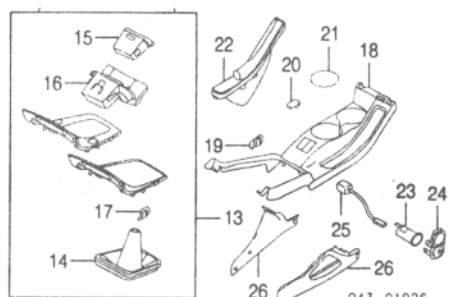
4 Panel, Outer Rocker	R 51449SA0009P	s #7.5	336.47
	L 51449SA0109P	s #7.5	336.47

#w/Necessary Bolted Parts Removed, w/Quarter Panel Assy Removed Deduct 1.5



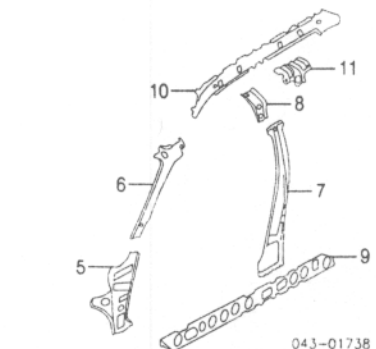
043-01735

49 Radio			
2.5 X Model	03 86201SA020	.6	542.47
	04 86201SA021	.6	542.47
2.5 XS Model	03 86201SA030	.6	1156.18
	04 86201SA110	.6	958.92
2.5 XT Model	86201SA110	.6	958.92
50 Clock, Digital	85201SA000	.3	58.92
Cover, Switch			
51 Upper	66241SA010		3.25
52 Lower	66241SA020		4.07
53 Switch			
Cruise Control	83001SA020	.3	32.67
Fog Lamp	83001SA000	.3	32.67
Mirror	83001SA060	.3	32.67
Wiper	83001SA030	.3	32.67
54 Switch, Hazard	83037SA006	.3	26.13
55 Nozzle, Defroster	66105SA000		29.42
56 Duct, Defroster	R 66100SA110		14.37
	L 66100SA100		40.87
57 Duct, Side Vent	R 66100SA030		15.83
	L 66100SA010		40.87



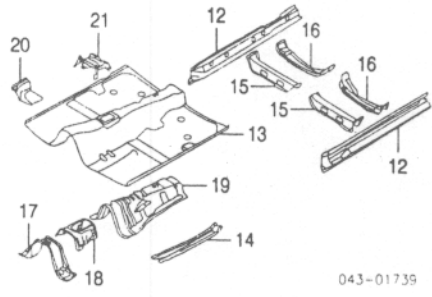
043-01926

13 Cover Assy, Front Console			
Man Trans			
2.5 X Model	92121SA050	.3	151.42
2.5 XS, 2.5 XT Model	92121SA080	.3	151.42
Auto Trans	92121SA040	.3	123.38
14 Boot, Shift Lever			
Man Trans			
2.5 X Model	92123SA000	.3	57.20
2.5 XS, 2.5 XT Model	92123SA030	.3	68.58
15 Ashtray	66160SA000		22.05
16 Housing, Ashtray	92114SA010		28.60
17 Clip, Panel	R/L 909140024		3.25
#Included w/Front Console Cover Assy			
18 Cover, Console			
Beige	92132SA030ES		22.88
Gray	92132SA030ND		22.88
19 Clip, Cover (2)	909140024		3.25
20 Cap, Switch			
Beige	66241TC060ES		3.25
Gray	66241TC060ND		3.25
21 Mat, Console Box (2)	92177SA000		5.72
22 Boot, Hand Brake	92123SA020		68.58
23 Socket, Power Outlet	86711FA060		19.50
24 Cover, Socket	86712SA000		7.45
25 Wire, Console	81870SA000		8.97
26 Panel, Console Finish			
Beige	R 66060SA040ES		29.42
	L 66060SA050ES		40.87
Gray	R 66060SA040ND		29.42
	L 66060SA050ND		40.87



043-01738

5 Panel, Cowl Inner	R 51520SA0009P	s 2.0	81.66
	L 51520SA0109P	s 2.0	81.66
6 Pillar, Upper Inner Hinge	R 51522SA0009P	s 1.5	94.77
	L 51522SA0109P	s 1.5	94.77
7 Pillar, Inner Center	R 51530SA0009P	s 1.0	105.17
	L 51530SA0109P	s 1.0	105.17
8 Stiffener, Center Pillar	R 50837SA000	s 1.0	11.43
	L 50837SA010	s 1.0	11.43
9 Reinf, Rocker Panel	R 51572FE000	s	80.03
	L 51572FE010	s	80.03
10 Rail, Roof Inner	R 51525SA0009P	s	57.20
	L 51525SA0109P	s	57.20
11 Bracket, Sunroof Frame-See Sunroof Section			



043-01739

12 Panel, Inner Rocker	R 52154FE131	s 2.5	154.22
	L 52154FE141	s 2.5	154.22
13 Pan, Floor Front	52120FE001		338.97
14 Frame, Floor	R 52150FE001		68.58
	L 52150FE011		68.58
15 Crossmember, Frt Floor	R 52140FE001		73.53
	L 52140FE011		73.53
16 Bracket, Seat Side	R 52140FE111		26.13
	L 52140SA000		27.77
17 Reinf, Floor Front	52152FE000		62.08
18 Reinf, Tunnel	52143AE030		102.33
19 Reinf, Hand Brake	52143FE083		96.37
20 Brace, Front Floor	R 52143FE110		17.96
	L 52143FE130		17.96
21 Bracket, Floor	52152FE210		32.67

EXTERIOR TRIM

Refinish Rocker Panel Moulding	R/L	.7	
R&L Rocker Panel Moulding	R/L	.4	

CENTER CONSOLE

Use Procedure Explanation 14 with the following text.

R&I Console Assy		.6	
------------------	--	----	--

NOTE: All Parts in this section are included in R&R Console Assy unless noted otherwise.

Illustration Located in Next Column

1 Box Assy, Console			
Beige	92111SA010ES	.8	161.23
Gray	92111SA010ND	.8	161.23
2 Lid, Upper Console			
Beige	92116SA020ES	.2	8.97
Gray	92116SA020ND	.2	8.97
3 Lock, Console Lid			
Beige	92184SA010ES	.2	4.07
Gray	92184SA010ND	.2	4.07
4 Lid, Lower Console			
Beige	92116SA030ES		8.18
Gray	92116SA030ND		8.18
5 Hinge, Lid	92117SA010	.2	22.88

ROCKER/PILLARS/FLOOR

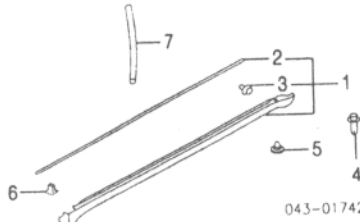
Use Procedure Explanations 14, 15 and 28 with the following text.

SHEET METAL

Refinish Hinge Pillar	R/L	1.5	
Refinish Center Pillar	R/L	2.0	
Refinish Rocker Panel	R/L	1.5	

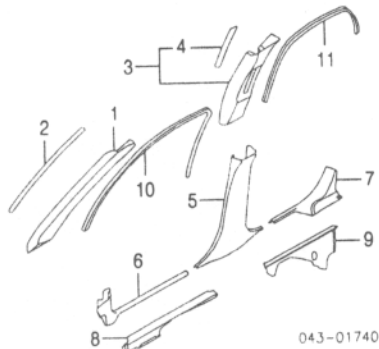
Illustration Located in Next Column

1 Pillar, Hinge	R 51419SA0009P	s 9.5	288.80
	L 51419SA0109P	s 9.5	288.80
2 Pillar, Center	R 51429SA0009P	s 8.5	322.45
	L 51429SA0109P	s 8.5	322.45
3 Reinforcement, Roof Rail	R 51472SA1609P	s	29.42
	L 51472SA1709P	s	29.42



1 Moulding Assy, Rocker Panel			
2.5 X Model	R 91112SA280	.4	127.58
	L 91112SA290	.4	127.58
2.5 XS, 2.5 XT Model			
Black	R 91112SA180VO	.4	203.30
	L 91112SA190VO	.4	203.30
Gold	R 91112SA180GH	.4	203.30
	L 91112SA190GH	.4	203.30
Gray	R 91112SA180MA	.4	203.30
	L 91112SA190MA	.4	203.30
Red	R 91112SA180UD	.4	203.30
	L 91112SA190UD	.4	203.30
Silver	R 91112SA180TG	.4	203.30
	L 91112SA190TG	.4	203.30
White	R 91112SA180WG	.4	203.30
	L 91112SA190WG	.4	203.30
Paint to Match	R 91112SA180	.4	142.98
	L 91112SA190	.4	142.98
2 Protector, Moulding]	R/L 91163SA040		19.05
3 No. 1] (a)			
2003			
To 9-02	R/L 909130088		2.47
From 9-02	R/L 909130109		.98
2004	R/L 909130109		.98
No. 2	R/L 909140029		1.98
No. 3 (5/Side)	R/L 909140020		.98
<i>†Included w/Rocker Panel Moulding Assy</i>			
<i>(a) As Required</i>			
6 Grommet, Moulding	R/L 96056FA010		1.70
7 Cover, Pillar	R 63563SA000		22.05
	L 63563SA010		22.05

INTERIOR TRIM

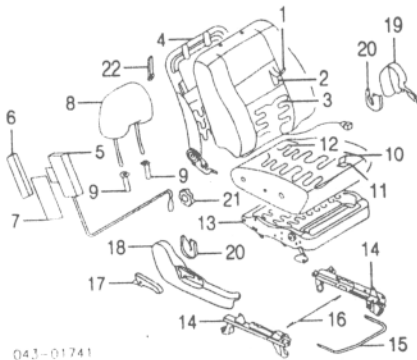


1 Mldg, Pillar Garnish-See Windshield Section			
2 Pad, Pillar-See Windshield Section			
3 Trim Assy, Center Pillar Upper			
Beige	R 94012SA000ES	#.4	28.60
	L 94012SA010ES	#.4	28.60
Gray	R 94012SA000ND	#.4	28.60
	L 94012SA010ND	#.4	28.60
<i>†Includes R&R Lower Center Pillar Trim Assy</i>			
4 Cover, Center Pillar]			
Beige	R/L 94053SA000ES		4.07
Gray	R/L 94053SA000ND		4.07
<i>†Included w/Center Pillar Upper Trim Assy</i>			
5 Trim, Center Pillar Lwr			
Beige	R 94022SA000ES	.2	51.47
	L 94022SA010ES	.2	51.47
Gray	R 94022SA000ND	.2	51.47
	L 94022SA010ND	.2	45.75
6 Plate, Upper Frt Scuff			
2.5 X, 2.5 XS Model			
Beige	R 94060SA000ES	.2	22.88
	L 94060SA020ES	.2	22.88
Gray	R 94060SA000ND	.2	22.88
	L 94060SA020ND	.2	22.88
2.5 XT Model	R 94060SA080ND	.2	53.90
	L 94060SA100ND	.2	53.90
7 Plate, Outer Rear Scuff			
Beige	R 94061SA000ES	.2	17.15
	L 94061SA010ES	.2	17.15
Gray	R 94061SA000ND	.2	17.15
	L 94061SA010ND	.2	17.15
8 Plate, Inner Front Scuff	R 94060SA060	.2	9.80
	L 94060SA070	.2	9.80
9 Plate, Rear Scuff	R 94061SA040	.2	8.18
	L 94061SA050	.2	8.18
10 Garnish, Front			
Beige	R 94050SA000ES		35.92

Beige	L 94050SA010ES	35.92
	R 94050SA000ND	35.92
	L 94050SA010ND	35.92
11 Garnish, Rear		
Beige	R 94050SA020ES	26.95
	L 94050SA030ES	26.95
Gray	R 94050SA020ND	26.95
	L 94050SA030ND	26.95

FRONT SEAT

R&L Front Seat	R/L	.3
Add to R&R Seat Back Assy		
w/Side Air Bags	R/Lm	.4



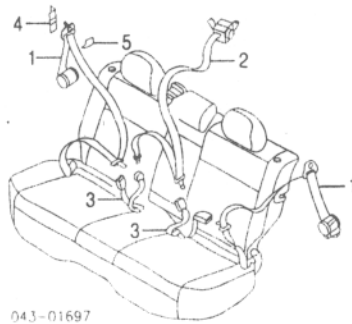
1 Cover, Seat Back]			
Passenger Side			
2.5 X Model	64150SA321ES	#.8	301.43
Beige	64150SA321ND	#.8	301.43
Gray			
2.5 XS Model			
w/Premium Pkg	64150SA361ES	#.8	466.30
Beige	64150SA361ND	#.8	466.30
Gray			
w/o Premium Pkg			
w/Leather	64150SA340ES	#.8	464.86
Beige	64150SA340ND	#.8	464.86
Gray			
w/o Leather	64150SA201ES	#.8	361.55
Beige	64150SA201ND	#.8	361.55
Gray			
2.5 XT Model			
Off Black	64150SA281ND	#.8	464.86
Driver Side	64150SA361ML	#.8	466.30
2.5 X Model			
Beige	64150SA331ES	#.8	301.43
Gray	64150SA331ND	#.8	301.43
2.5 XS Model			
w/Premium Pkg	64150SA371ES	#.8	466.30
Beige	64150SA371ND	#.8	466.30
Gray			
w/o Premium Pkg			
w/Leather	64150SA351ES	#.8	464.86
Beige	64150SA351ND	#.8	464.86
Gray			
w/o Leather	64150SA211ES	#.8	361.55
Beige	64150SA211ND	#.8	361.55
Gray			
2.5 XT Model			
Off Black	64150SA351ND	#.8	464.86
Gray	64150SA371ML	#.8	466.30
<i>†Order by Application</i>			
2 Cushion, Seat Back			
Passenger Side	64130SA040	#.8	112.15
Driver Side	64130SA050	#.8	112.15
3 Heater, Seat Back			
Passenger Side	64111SA020	#.8	124.77
Driver Side	64111SA030	#.8	124.77
4 Frame, Seat Back			
Passenger Side	64110SA040	#.8	140.20
Driver Side	64110SA090	#.8	140.20
<i>†R&R One Side Complete, Includes R&L Seat Assy</i>			
5 Module, Side Air Bag-See Air Bag System Section			
Pad, Side Air Bag			
6 Outer			
Passenger Side	64145SA000	16.33	
Driver Side	64145SA010	16.33	
7 Inner			
Passenger Side	64145SA020	4.90	
Driver Side	64145SA020	4.90	
8 Headrest			
Passenger Side			
2.5 X Model			
Beige	03 64061SA000ES	.2	114.95
	04 64061SA060ES	.2	114.95
Gray	03 64061SA000ND	.2	114.95
	04 64061SA060ND	.2	114.95
2.5 XS Model			
w/Premium Pkg	03 64061SA050ES	.2	343.50
Beige	04 64061SA090ES	.2	343.50
Gray	03 64061SA050ND	.2	343.50
	04 64061SA090ND	.2	343.50
w/o Premium Pkg			
w/Leather	03 64061SA020ES	.2	d259.38
Beige	04 64061SA080ES	.2	259.38

Gray	03 64061SA020ND	.2	259.38
	04 64061SA080ND	.2	259.38
w/o Leather			
Beige	03 64061SA030ES	.2	168.23
	04 64061SA070ES	.2	d168.23
Gray	03 64061SA030ND	.2	168.23
	04 64061SA070ND	.2	d168.23
2.5 XT Model]			
w/Leather	64061SA090ML	.2	343.50
w/o Leather	64061SA100ML	.2	142.98
Driver Side			
Passenger Side			
2.5 X Model			
Beige	03 64061SA000ES	.2	114.95
	04 64061SA060ES	.2	114.95
Gray	03 64061SA000ND	.2	114.95
	04 64061SA060ND	.2	114.95
2.5 XS Model			
w/Premium Pkg			
Beige	03 64061SA050ES	.2	343.50
	04 64061SA090ES	.2	343.50
Gray	03 64061SA050ND	.2	343.50
	04 64061SA090ND	.2	343.50
w/o Premium Pkg			
w/Leather			
Beige	03 64061SA020ES	.2	d259.38
	04 64061SA080ES	.2	259.38
Gray	03 64061SA020ND	.2	259.38
	04 64061SA080ND	.2	259.38
w/o Leather			
Beige	03 64061SA030ES	.2	168.23
	04 64061SA070ES	.2	d168.23
Gray	03 64061SA030ND	.2	168.23
	04 64061SA070ND	.2	d168.23
2.5 XT Model]			
w/Leather	64061SA090ML	.2	343.50
w/o Leather	64061SA100ML	.2	142.98
9 Bushing, Guide]			
Passenger Side			
w/Leather	64106SA010NF		5.7
w/o Lock	64106SA000NF		2.1
Driver Side			
w/Leather	64106SA010NF		5.7
w/o Lock	64106SA000NF		2.1
<i>†Order by Application</i>			
10 Cover, Seat Bottom			
Passenger Side			
2.5 X Model			
Beige	64140SA020ES		238.1
Gray	64140SA020ND		238.1
2.5 XS Model			
w/Premium Pkg			
Beige	64140SA180ES		493.1
Gray	64140SA180ND		493.1
w/o Premium Pkg			
w/Leather			
Beige	64140SA100ES		368.1
Gray	64140SA100ND		368.1
w/o Leather			
Beige	64140SA120ES		288.1
Gray	64140SA120ND		288.1
2.5 XT Model]			
w/Leather	64140SA180ML		493.1
w/o Leather	64140SA060ML		294.1
Driver Side			
2.5 X Model			
Beige	64140SA030ES		238.1
Gray	64140SA030ND		238.1
2.5 XS Model			
w/Premium Pkg			
Beige	64140SA190ES		493.1
Gray	64140SA190ND		493.1
w/o Premium Pkg			
w/Leather			
Beige	64140SA110ES		368.1
Gray	64140SA110ND		368.1
w/o Leather			
Beige	64140SA130ES		288.1
Gray	64140SA130ND		288.1
2.5 XT Model]			
w/Leather	64140SA190ML		493.1
w/o Leather	64140SA070ML		294.1
<i>†Order by Application</i>			
11 Cushion, Seat Bottom			
Passenger Side	64120SA000	#.8	102.1
Driver Side	64120SA000	#.8	102.1
12 Heater, Seat Bottom			
Passenger Side	64111SA000	#.8	211.1
Driver Side	64111SA010	#.8	211.1
13 Frame, Seat Bottom			
Passenger Side	64100SA020	#.8	91.1
Driver Side	64100SA010	#.8	26.1
<i>†R&R One Side Complete</i>			
14 Adjuster, Seat Track			
Passenger Side	R 64170SA040	#.4	7.1
	L 64160SA040	#.4	9.1
Driver Side	R 64160SA050	#.4	9.1
	L 64170SA050	#.4	7.1
<i>†R&R Both Sides One Seat.5</i>			
15 Wire, Adjuster			
Passenger Side	64135SA000		2.1
Driver Side	64135SA000		2.1
16 Wire, Connector			
Passenger Side	64178SA010		
Driver Side	64178SA010		
17 Lever, Recline			
Passenger Side			
Beige	64143SA000ES		
Gray	64143SA000ND		
Off Black	64143SA000ML		
Driver Side			
Beige	64143SA010ES		

SUBARU FORESTER 2003-04

FRONT SEAT Cont'd

Gray	64143SA010ND	6.55
Off Black	64143SA010ML	6.55
18 Cover, Recline Adjuster		
Passenger Side		
Beige	64115SA100ES	2 13.87
Gray	64115SA100ND	2 13.87
Off Black	64115SA100ML	2 13.87
Driver Side		
Beige	64115SA110ES	2 13.87
Gray	64115SA110ND	2 13.87
Off Black	64115SA110ML	2 13.87
19 Cover, Adjuster		
Passenger Side		
Beige	64115SA120ES	2 4.07
Gray	64115SA120ND	2 4.07
Off Black	64115SA120ML	2 4.07
Driver Side		
Beige	64115SA130ES	2 4.07
Gray	64115SA130ND	2 4.07
Off Black	64115SA130ML	2 4.07
20 Cover, Inner		
Passenger Side	R 64115SA140ML	2.47
	L 64115SA150ML	2.47
Driver Side	R 64115SA150ML	2.47
	L 64115SA140ML	2.47
21 Knob, Lifter		
Driver Side		
Beige	64143SA020ES	6.55
Gray	64143SA020ND	6.55
Off Black	64143SA020ML	6.55
22 Lever, Lumbar		
Driver Side	64135FC000GC	6.02
Beige	64135FC000NF	6.02
Gray	64135FC000ML	4.90



043-01697

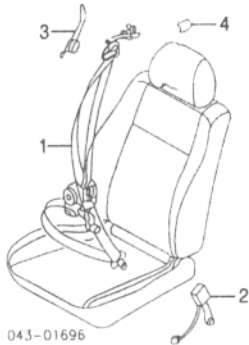
Off Black	L 64660SA010ES	#.3	179.95
	R 64660SA000ML	#.3	179.95
	L 64660SA010ML	#.3	179.95
#w/Rear Seat Assy & Upper Trim Panel Removed			
2 Belt, Center Seat			
Beige	64665SA000ES	#.2	179.95
Off Black	64665SA000ML	#.2	179.95
3 Buckle, Seat Belt			
Beige	R 64680SA000ES	#.2	49.95
	L 64680SA010ES	#.2	49.95
	R 64680SA000ML	#.2	49.95
	L 64680SA010ML	#.2	49.95
#w/Rear Seat Assy Removed			
4 Anchor, Belt			
Beige	R/L 64703SA100ES		59.95
Off Black	R/L 64703SA100ML		59.95
5 Cover, Anchor			
Beige	R/L 64715SA100ES		4.07
Off Black	R/L 64715SA100ML		4.07

REAR SEAT

R&I Rear Seat Assy..... 5

SEAT BELTS

FRONT



043-01696

1 Belt, Seat			
2003			
To 10-02			
Beige	R 64621SA000ES	.7	299.95
	L 64621SA010ES	.7	299.95
Light Gray	R 64621SA000ND	.7	299.95
	L 64621SA011ND	.7	299.95
From 11-02			
Beige	R 64621SA001ES	.7	299.95
	L 64621SA011ES	.7	299.95
Light Gray	R 64621SA001ND	.7	299.95
	L 64621SA011ND	.7	299.95
2004			
Beige	R 64621SA020ES	.7	322.45
	L 64621SA030ES	.7	322.45
Light Gray	R 64621SA020ND	.7	322.45
	L 64621SA030ND	.7	322.45
2 Buckle, Seat Belt			
Beige	R 64631SA010ES	2	59.95
	L 64631SA000ES	2	59.95
Light Gray/Off Black	R 64631SA010ML	2	59.95
	L 64631SA000ML	2	59.95
3 Anchor, Belt			
Beige	R/L 64703SA000ES		59.95
Light Gray	R/L 64703SA000ND		59.95
4 Cover, Anchor			
Beige	R/L 64715SA000ES		4.07
Light Gray	R/L 64715SA000ND		4.07

REAR

Illustration Located in Next Column

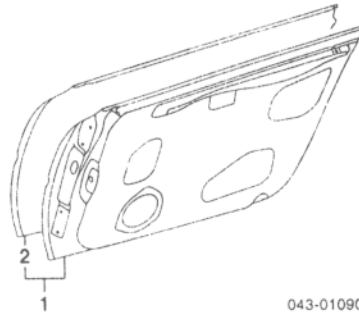
1 Belt, Outer Seat			
Beige	R 64660SA000ES	#.3	179.95

FRONT DOOR

Use Procedure Explanations 16 and 28 with the following text.

SHEET METAL

Refinish Door Outside.....	R/L	2.0
Add for Jambes & Interior.....	R/L	1.0
R&I Door Assy.....	R/L	.5



043-01090

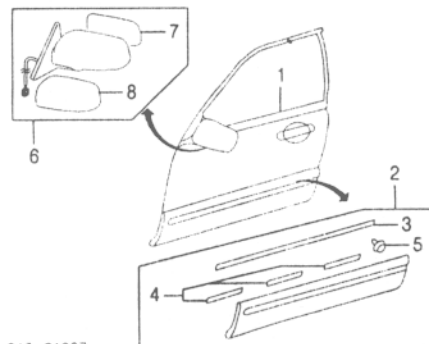
1 Shell, Door	03 R 60009SA0208P	#4.7	466.65
	L 60009SA0308P	#4.7	466.65
	04 R 60009SA1208P	#4.7	416.58
	L 60009SA1308P	#4.7	416.58

#Includes R&I/R&R Rear View Mirror

EXTERIOR TRIM

Refinish Side Moulding.....	R/L	.5
R&I Outer Belt Moulding.....	R/L	.3
R&I Rear View Mirror.....	R/L	#.5

#Includes R&I Trim Panel



043-01927

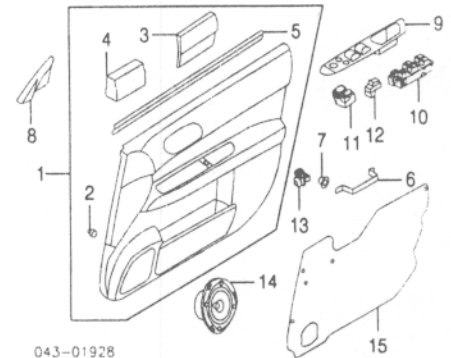
1 Moulding, Outer Belt	R 61280SA000	.3	46.53
	L 61280SA010	.3	46.53
2 Moulding Assy, Side			
2.5 X Model	R 91112SA220	.4	103.75
	L 91112SA230	.4	103.75
2.5 XS, 2.5 XT Model			
Black	R 91119SA120VO	.4	166.82
	L 91119SA130VO	.4	166.82
Gold	R 91119SA120GH	.4	166.82
	L 91119SA130GH	.4	166.82
Gray	R 91119SA120MA	.4	166.82
	L 91119SA130MA	.4	166.82
Red	R 91119SA120JD	.4	166.82
	L 91119SA130JD	.4	166.82
Silver	R 91119SA120TG	.4	166.82
	L 91119SA130TG	.4	166.82
White	R 91119SA120WG	.4	166.82
	L 91119SA130WG	.4	166.82
Paint to Match	R 91112SA120	.4	116.35
	L 91112SA130	.4	116.35
3 Protector, Moulding	R/L 91088FC000		6.43
4 Gasket, Moulding (3/5 Side)	R/L 91161SA010		1.98
5 Clip, Moulding (a)			
2003			
To 9-02	R/L 909130088		2.47
From 9-02	R/L 909130109		.98
2004	R/L 909130109		.98
*Included w/Side Moulding Assy (a) As Required			
6 Mirror Assy, Rear View			
2.5 X Model	03 R 91031SA040	#.2	159.95
	L 91031SA050	#.2	159.95
	04 R 91031SA560	#.2	202.27
	L 91031SA570	#.2	202.27
2.5 XS, 2.5 XT Model	R 91031SA320	#.2	265.48
	L 91031SA330	#.2	265.48
#w/Trim Panel Removed			
7 Glass, Mirror	R 91039FC040		16.95
	L 91039FC050		16.95
8 Cap, Mirror			
2.5 X Model	04 R 91054FE200		17.70
	L 91054FE210		17.70

*Included w/Rear View Mirror Assy

INTERIOR TRIM

R&I Trim Panel..... R/L .3

NOTE: All Parts in this section are included in R&R Trim Panel unless noted otherwise.



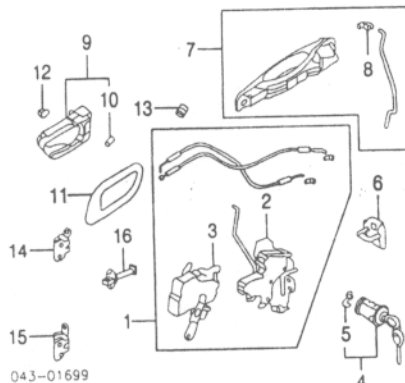
043-01928

1 Panel Assy, Trim			
2.5 X Model			
Beige	R 94210SA040GH	.5	269.15
	L 94210SA050GH	.5	269.15
Gray	R 94210SA040CK	.5	269.15
	L 94210SA050CK	.5	269.15
2.5 XS Model			
w/Premium Pkg			
Beige	R 94210SA120GH	.5	322.45
	L 94210SA130GH	.5	322.45
Gray	R 94210SA120CK	.5	322.45
	L 94210SA130CK	.5	322.45
w/o Premium Pkg			
w/Leather Trim			
Beige	R 94210SA140GH	.5	294.40
	L 94210SA150GH	.5	294.40
Gray	R 94210SA140CK	.5	294.40
	L 94210SA150CK	.5	294.40
w/o Leather Trim			
Beige	R 94210SA060GH	.5	269.15
	L 94210SA070GH	.5	269.15
Gray	R 94210SA060CK	.5	269.15
	L 94210SA070CK	.5	269.15
2.5 XT Model			
w/Premium Pkg			
Beige	R 94210SA120CK	.5	322.45
	L 94210SA130CK	.5	322.45
w/o Premium Pkg			
w/Leather Trim			
Beige	R 94210SA140JA	.5	294.40
	L 94210SA150JA	.5	294.40
Gray	R 94210SA240JA	.5	269.15
	L 94210SA250JA	.5	269.15
2 Clip, Trim Panel (16/Side)	R/L 909130034		.80
3 Pad, Door Trim Upper	R 94257SA000		17.15
	L 94257SA010		17.15
4 Pad, Door Trim Lower	R 94257SA040		17.15
	L 94257SA050		17.15
5 Moulding, Inner Belt	R 61282SA000	#.2	22.88
	L 61282SA010	#.2	22.88

Included w/Trim Panel Assy #w/Trim Panel Removed			
6 Bracket, Door Trim	R/L 94286SA000	5.72	
7 Grommet, Bracket (2/Side)	R/L 909300014	.98	
8 Cover, Door Corner			
2.5 X, 2.5 XS Model	R 94251SA000	5.72	
	L 94251SA010	5.72	
2.5 XT Model	R 94251SA020	16.17	
	L 94251SA030	16.17	
9 Panel, Switch	R 94266SA020	#.2 22.88	
	L 94266SA030	#.2 22.88	
10 Switch, Power Window	R 83071SA050	#.2 31.02	
	L 83071SA020	#.2 112.15	
11 Switch, Power Mirror	L 83061SA010	#.2 45.75	
#R&R One Side Complete			
12 Switch, Door Lock	R 83078FE000	#.2 30.03	
13 Switch, Door Jamb	R/L 83331AE001	#.2 9.13	
#R&R One Side Complete			
14 Speaker, Radio	R/L 86301SA020	#.2 44.93	
2003			
2004	R 86301SA000	#.2 54.35	
2.5 X Model	L 86301SA010	#.2 54.35	
2.5 XS, 2.5 XT Model	R 86301SA090	#.2 54.35	
	L 86301SA100	#.2 54.35	
15 Shield, Moisture	R/L 61244SA000	# 13.25	
#w/Trim Panel Removed, Not Included in R&R Trim Panel			

HARDWARE

Refinish Outside Handle.....	R/L	.4
Refinish Upper Hinge.....	R/L	.3
Refinish Lower Hinge.....	R/L	.3
R&I Lock Cylinder.....	R/L	#.5
#Includes R&I Trim Panel		
R&I Outside Handle.....	R/L	#.8
#Includes R&I Trim Panel & R&I/R&R Inside Handle Assy		



1 Latch Assy	R 61032SA040	#.3 130.38
	L 61032SA050	#.3 130.38
2 Latch[]	R 61031SA020	#.3 70.23
	L 61031SA030	#.3 70.23
3 Actuator, Latch[]		
2003	R 61100AE000	#.3 94.95
To 6-02	L 61100AE010	#.3 94.95
From 7-02	R 61100AE001	#.3 99.73
	L 61100AE011	#.3 99.73
2004	R 61100AE001	#.3 99.73
	L 61100AE011	#.3 99.73

Included w/Latch Assy

#R&R One Side Complete, w/Trim Panel Removed

4 Cylinder Assy, Door Lock[]	L 57491SA140	#.2 29.42
#w/Trim Panel Removed		
5 Holder, Rod[] (a)	L 57494FC210	1.38
#Included w/Vehicle Lock Set-listed in Steering Wheel/Column Section		
(a) Included w/Door Lock Cylinder Assy		

6 Striker, Latch	R/L 61264SA000	2 11.12
7 Handle Assy, Outside		
2.5 X, 2.5 XS Model	03 R 61021SA000NN	#.3 40.87
	L 61021SA010NN	#.3 40.87
	04 R 61021SA001NN	#.3 40.87
	L 61021SA011NN	#.3 40.87

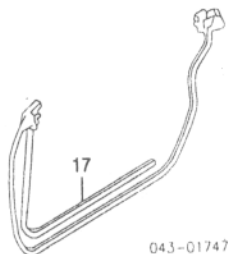
2.5 XT Model

Black	R 61021SA021VO	#.3 65.33
	L 61021SA031VO	#.3 65.33
Blue	R 61021SA021IU	#.3 65.33
	L 61021SA031IU	#.3 65.33
Gold	R 61021SA021GH	#.3 65.33
	L 61021SA031GH	#.3 65.33
Green	R 61021SA021FF	#.3 65.33
	L 61021SA031FF	#.3 66.65
Red	R 61021SA021UD	#.3 65.33
	L 61021SA031UD	#.3 65.33
Silver	R 61021SA021TG	#.3 65.33
	L 61021SA031TG	#.3 66.65
White	R 61021SA021WG	#.3 66.65
	L 61021SA031WG	#.3 65.33

#w/Trim Panel & Inside Handle Assy Removed

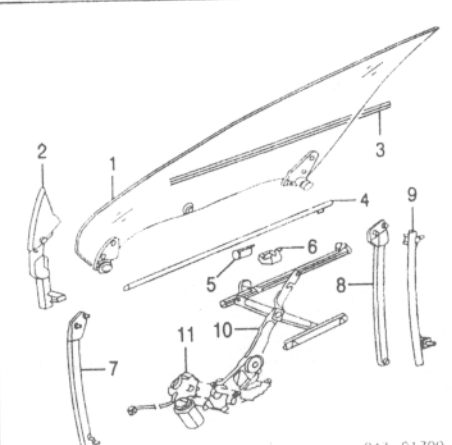
8 Holder, Outside Handle[]		
2003	R 62412FC010	1.98
To 5-02	L 62412FC000	1.98
From 6-02	R 61166SA030	1.98

2004	L 61166SA020	1.98
	R 61166SA030	1.98
	L 61166SA020	1.98
#Included w/Outside Handle Assy		
9 Handle Assy, Inside		
2.5 X Model	03 R 61051SA000ML	#.2 15.52
	L 61051SA010ML	#.2 15.52
	04 R 61051SA001ML	#.2 15.52
	L 61051SA011ML	#.2 15.52
2.5 XS Model	03 R 61051SA020ML	#.2 20.25
	L 61051SA030ML	#.2 20.25
	04 R 61051SA021ML	#.2 20.25
	L 61051SA031ML	#.2 20.25
2.5 XT Model	R 61051SA021ML	#.2 20.25
	L 61051SA031ML	#.2 20.25
#w/Trim Panel Removed		
10 Cap, Inside Handle[]	R/L 61120AE000ML	4.95
#Included w/Inside Handle Assy		
11 Cover, Inside Handle	R 61052SA000ML	6.87
	L 61052SA010ML	6.87
12 Grommet, Inside Handle	R/L 84965AA060	2.25
13 Holder, Inside Handle Rod	R/L 61166SA000	1.98
14 Hinge, Upper	R 61220FA000	#.2 22.17
	L 61220FA010	#.2 22.17
15 Hinge, Lower	R 61220FA010	#.2 22.17
	L 61220FA000	#.2 22.17
#w/Door Removed		
16 Check, Door	R/L 63302FC001	#.2 34.07
#w/Trim Panel Removed		



17 Weatherstrip, Door	R 63511SA000	.4 65.33
	L 63511SA010	.4 65.33

GLASS & PARTS



1 Glass, Front Door		
Subaru (Green)	R 61011SA000	1.0 266.20
	L 61011SA010	1.0 266.20
NAGS (Green)	R FD21759GTN	1.0 711.40
	L FD21760GTN	1.0 711.40
2 Gusset, Door	R 61158SA000	68.58
	L 61158SA010	68.58
3 Moulding, Outer Belt-See Exterior Trim Section		
4 Moulding, Inner Belt-See Interior Trim Section		
5 Stabilizer, Outer Glass (2/Side)	R/L 61256AE010	10.95
6 Stabilizer, Inner Glass (2/Side)	R/L 62304FC000	11.60
7 Channel, Front Run	R 61240SA000	#.1 24.52
	L 61240SA010	#.1 24.52
8 Channel, Rear Run		
2003	R 61240SA020	#.1 24.52
	L 61240SA030	#.1 24.52
From 12-02	R 61240SA021	#.1 24.52
	L 61240SA031	#.1 24.52
2004	R 61240SA021	#.1 24.52
	L 61240SA031	#.1 24.52
#w/Glass Removed		
9 Rail, Guide	R 61153SA000	17.15
	L 61153SA010	17.15
10 Regulator, Glass	R 61222SA000	#1.2 76.93
	L 61222SA010	#1.2 76.93
#w/Glass Removed Deduct 1.0		
11 Motor, Regulator		
2003	R 61188SA000	#.2 169.95
	L 61188SA010	#.2 169.95

2004	R 61188SA000	#.2 169.95
To 4-03	L 61188SA010	#.2 169.95
From 5-03	R 61188SA001	#.2 169.95
	L 61188SA011	#.2 169.95

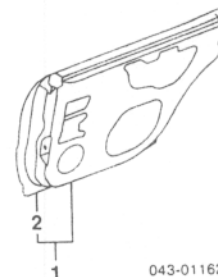
#w/Trim Panel Removed

REAR DOOR

Use Procedure Explanations 16 and 28 with the following text.

SHEET METAL

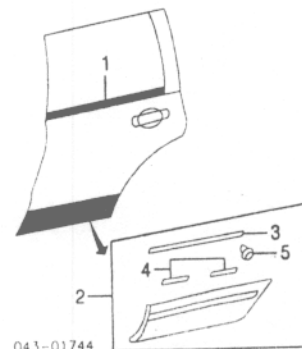
Refinish Door Outside.....	R/L	2.0
Add for Jamb & Interior.....	R/L	1.0
R&I Door Assy.....	R/L	.5



1 Shell, Door	R 60409SA0009P	4.0 466.65
	L 60409SA0109P	4.0 466.65
2 Panel, Door Repair-Serviced w/Door Shell		

EXTERIOR TRIM

Refinish Side Moulding.....	R/L	.5
R&I Outer Belt Moulding.....	R/L	.3



1 Moulding, Outer Belt	R 62280SA000	.3 53.9
	L 62280SA010	.3 53.9
2 Moulding Assy, Side		
2.5 X Model	R 91112SA240	.4 91.4
	L 91112SA250	.4 91.4
2.5 XS, 2.5 XT Model		
Black	R 91119SA140VO	.4 124.7
	L 91119SA150VO	.4 124.7
Gold	R 91119SA140GH	.4 124.7
	L 91119SA150GH	.4 124.7
Gray	R 91119SA140MA	.4 124.7
	L 91119SA150MA	.4 124.7
Red	R 91119SA140UD	.4 124.7
	L 91119SA150UD	.4 124.7
Silver	R 91119SA140TG	.4 124.7
	L 91119SA150TG	.4 124.7
White	R 91119SA140WG	.4 124.7
	L 91119SA150WG	.4 124.7
Paint to Match	R 91112SA140	.4 88.2
	L 91112SA150	.4 88.2
3 Protector, Moulding[]	R/L 91088FC000	6.4
4 Gasket, Moulding[] (2/Side)	R/L 91161SA010	1.5
5 Clip, Moulding[] (a)		
2003	R/L 909130088	2.4
To 9-02	R/L 909130109	.5
From 9-02	R/L 909130109	.5
2004	R/L 909130109	.5
#Included w/Side Moulding Assy		
(a) As Required		

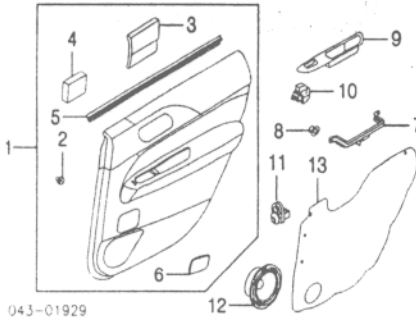
INTERIOR TRIM

R&I Trim Panel.....	R/L	.3
---------------------	-----	----

NOTE: All Parts in this section are included in R&R Trim Panel unless noted otherwise.

REAR DOOR Cont'd

INTERIOR TRIM Cont'd



043-01929

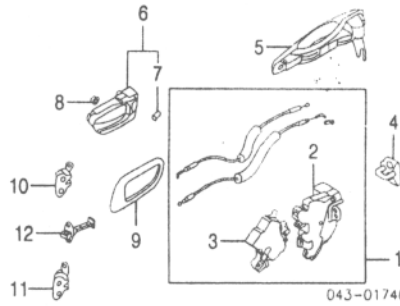
1 Panel Assy, Trim 2.5 X Model Beige	R 94220SA040GH L 94220SA050GH R/L 94220SA0400K	.5 .5 .5	224.32 224.32 224.32
2.5 XS Model w/Premium Pkg Beige	R 94220SA120GH L 94220SA130GH R 94220SA1200K L 94220SA1300K	.5 .5 .5 .5	266.37 266.37 266.37 266.37
Gray	R 94220SA140GH L 94220SA150GH R 94220SA1400K L 94220SA1500K	.5 .5 .5 .5	252.35 252.35 252.35 252.35
w/o Premium Pkg w/Leather Trim Beige	R 94220SA060GH L 94220SA070GH R 94220SA0600K L 94220SA0700K	.5 .5 .5 .5	224.32 224.32 224.32 224.32
Gray	R 94220SA140JA L 94220SA150JA R 94220SA200JA L 94220SA210JA	.5 .5 .5 .5	252.35 252.35 249.57 249.57
2.5 XT Model w/Premium Pkg	R 94220SA1200K L 94220SA1300K	.5 .5	266.37 266.37
w/o Premium Pkg w/Leather Trim	R 94220SA140JA L 94220SA150JA R 94220SA200JA L 94220SA210JA	.5 .5 .5 .5	252.35 252.35 249.57 249.57
2 Clip, Trim Panel (16/Side)	R/L 909130034		.80
3 Pad, Door Trim Upper	R 94257SA000 L 94257SA010		17.15 17.15
4 Pad, Door Trim Lower	R 94257SA040 L 94257SA050		17.15 17.15
5 Moulding, Inner Belt	R 61282SA000 L 61282SA010	#2 #2	22.88 22.88
<i>#w/Trim Panel Removed</i>			
6 Cover, Ashtray	R 94280SA010ES L 94280SA020ES R 94280SA010JA L 94280SA020JA		4.90 4.90 4.90 4.90
<i>#Included w/Trim Panel Assy</i>			
7 Bracket, Door Trim	R/L 94286SA020		5.72
8 Grommet, Bracket (2/Side)	R/L 909300014		.98
9 Panel, Switch	R 94266SA060 L 94266SA070	#2 #2	5.72 5.72
10 Switch, Power Window	R/L 83071SA050	#2	31.02
11 Switch, Door Jamb	R/L 83331AE001	#2	9.13
<i>#R&R One Side Complete</i>			
12 Speaker, Radio 2003	R/L 86301SA020	#2	44.93
2004			
2.5 X Model	R/L 86301SA020		44.93
2.5 XS, 2.5 XT Model	R/L 86301SA110		44.93
13 Shield, Moisture	R/L 62244SA000	#	13.25
<i>#w/Trim Panel Removed, Not Included in R&R Trim Panel Assy</i>			

HARDWARE

Refinish Outside Handle.....	R/L	.4
Refinish Upper Hinge.....	R/L	.3
Refinish Lower Hinge.....	R/L	.3
R&I Outside Handle.....	R/L	#1.1
<i>#Includes R&I Trim Panel, R&I/R&R Inside Handle Assy & Latch Assy</i>		

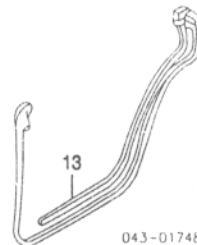
Illustration Located in Next Column

1 Latch Assy 2003 To 12-02	R 61035SA000 L 61035SA010	#3 #3	141.60 141.60
From 1-03	R 61035SA001 L 61035SA011	#3 #3	141.60 141.60
2004	R 61035SA001 L 61035SA011	#3 #3	141.60 141.60
2 Latch	R 61034SA001	#3	70.23



043-01746

3 Actuator, Latch	R 61034SA011	#3	70.23
2003 To 6-02	R 61100AE000 L 61100AE010 R 61100AE001 L 61100AE011	#3 #3 #3 #3	94.95 94.95 99.73 99.73
From 7-02	R 61100AE011 L 61100AE011	#3 #3	99.73 99.73
2004	R 61100AE001 L 61100AE011	#3 #3	99.73 99.73
<i>#Included w/Latch Assy</i>			
<i>#R&R One Side Complete, w/Trim Panel Removed</i>			
4 Striker, Latch Handle, Outside	R/L 61264SA000	.2	11.12
5 Striker, Latch Handle, Outside	03 R 61022SA000NN L 61022SA010NN 04 R 61022SA010NN L 61022SA011NN	#3 #3 #3 #3	40.87 40.87 40.87 40.87
2.5 XT Model Black	R 61022SA021VO L 61022SA031VO	#3 #3	66.65 66.65
Blue	R 61022SA021IU L 61022SA031IU	#3 #3	66.65 66.65
Gold	R 61022SA021GH L 61022SA031GH	#3 #3	66.65 66.65
Green	R 61022SA021FF L 61022SA031FF	#3 #3	66.65 65.33
Red	R 61022SA021UD L 61022SA031UD	#3 #3	66.65 65.33
Silver	R 61022SA021TG L 61022SA031TG	#3 #3	66.65 65.33
White	R 61022SA021WG L 61022SA031WG	#3 #3	66.65 66.65
<i>#w/Trim Panel, Inside Handle Assy & Latch Assy Removed</i>			
6 Handle Assy, Inside 2.5 X Model	03 R 61051SA000ML L 61051SA010ML 04 R 61051SA010ML L 61051SA011ML	#2 #2 #2 #2	15.52 15.52 15.52 20.25
2.5 XS Model	03 R 61051SA020ML L 61051SA030ML 04 R 61051SA021ML L 61051SA031ML	#2 #2 #2 #2	20.25 20.25 20.25 20.25
2.5 XT Model	R 61051SA021ML L 61051SA031ML	#2 #2	20.25 20.25
<i>#w/Trim Panel Removed</i>			
7 Cap, Inside Handle	R/L 61120AE000ML		4.95
<i>#Included w/Inside Handle Assy</i>			
8 Grommet, Inside Handle	R/L 84965AA060		2.25
9 Cover, Inside Handle	R 61052SA000ML L 61052SA010ML		6.87 6.87
10 Hinge, Upper	R 61520FA000 L 61520FA010	#2 #2	22.17 22.17
11 Hinge, Lower	R 61520FA020 L 61520FA030	#2 #2	22.17 22.17
<i>#w/Door Removed</i>			
12 Check, Door	R/L 63302FC001	#2	34.07
<i>#w/Trim Panel Removed</i>			



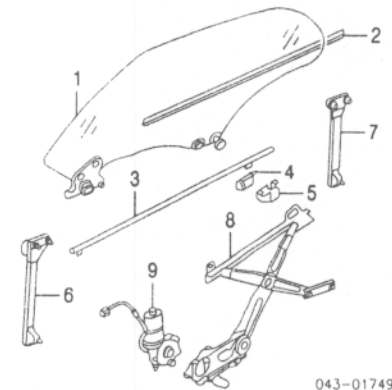
043-01748

13 Weatherstrip, Door	R 63512SA000 L 63512SA010	.4 .4	65.33 65.33
-----------------------	------------------------------	----------	----------------

GLASS & PARTS

Illustration Located in Next Column

1 Glass, Rear Door Subaru (Green)	R 62011SA000 L 62011SA010	1.0 1.0	199.95 199.95
--------------------------------------	------------------------------	------------	------------------



043-01749

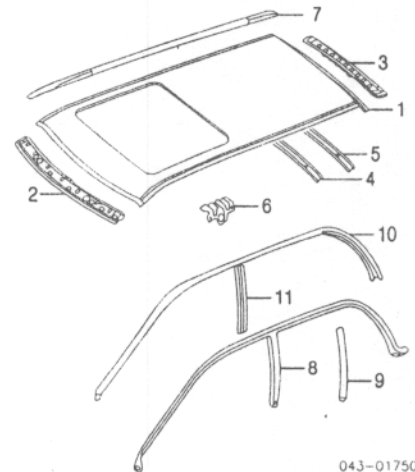
2 Moulding, Outer Belt-See Exterior Trim Section	R/L FD21761-2GTN	1.0	706.20
3 Moulding, Inner Belt-See Interior Trim Section			
4 Stabilizer, Outer Glass (2/Side)	R/L 61256FE020		10.95
5 Stabilizer, Inner Glass (2/Side)	R/L 62230FA001		11.25
6 Channel, Front Run	L 62240SA000 L 62240SA010 R 62240SA020 L 62240SA030	#1 #1 #1 #1	22.05 22.05 22.05 22.05
7 Channel, Rear Run	R 62222SA000 L 62222SA010	#1.2 #1.2	76.93 76.93
<i>#w/Glass Removed</i>			
8 Regulator, Glass	R 62222SA000 L 62222SA010	#1.2 #1.2	76.93 76.93
<i>#w/Glass Removed Deduct 1.0</i>			
9 Motor, Regulator 2003	R 62188SA000 L 62188SA010	#2 #2	169.95 169.95
2004 To 4-03	R 62188SA000 L 62188SA010	#2 #2	169.95 169.95
From 5-03	R 62188SA001 L 62188SA011	#2 #2	169.95 169.95
<i>#w/Trim Panel Removed</i>			

ROOF

Use Procedure Explanations 17 and 28 with the following text.

SHEET METAL/EXTERIOR TRIM W/SUNROOF

Refinish Roof Outside.....		2.9
R&I Roof Rail.....	R/L	#3.0
<i>#Includes R&I Headliner, R&I Both Sides 3.5</i>		



043-01750

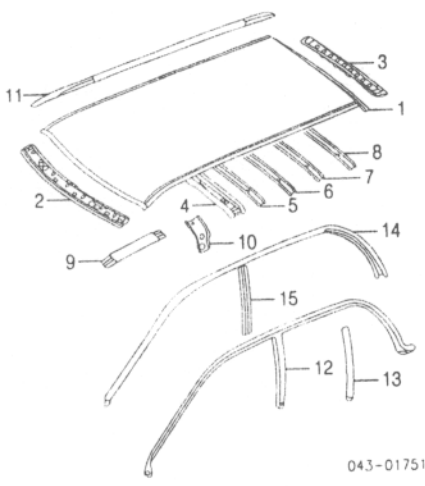
1 Panel, Roof	53600SA0209P	#22.5	387.39
<i>#Includes R&I/R&R Roof Rail Assy</i>			
2 Panel, Front Header	53400SA0009P	1.5	88.22
3 Panel, Rear Header	53410SA0009P	1.5	112.15
4 Bow, Center Reint	53701SA0509P		49.00
5 Bow, Rear Reint	53701SA0609P		49.00
6 Bracket, Sunroof Frame-See Sunroof Section			
7 Rail, Roof 2.5 X, 2.5 XS Model	R 91151SA000 L 91151SA010	#1.0 #1.0	301.43 301.43
2.5 XT Model	R 91151SA020NN L 91151SA030NN	#1.0 #1.0	301.43 301.43
<i>#w/Headliner Removed, R&R Both Sides 1.5</i>			
<i>Reinforcement, Roof Rail-See Rocker/Pillars/Floor Section</i>			
<i>Rail, Roof Inner-See Rocker/Pillars/Floor Section</i>			
8 Weatherstrip, Roof	R 63521SA000 L 63521SA010	.4 .4	98.13 98.13
9 Cover, Pillar-See Rocker/Pillars/Floor Section			

10 Moulding & Retainer, Roof	R 63531SA000	126.17
	L 63531SA010	126.17
11 Retainer, Center	R 63542SA000	2 16.83
	L 63542SA010	2 16.83
Cross Bar Set Dealer Installed Standard Square	E361SSA000 E361ESA000	248.45 129.95

**SHEET METAL/EXTERIOR TRIM
W/O SUNROOF**

Refinish Roof Outside	R/L	#3.0
R&L Roof Rail	R/L	#3.0

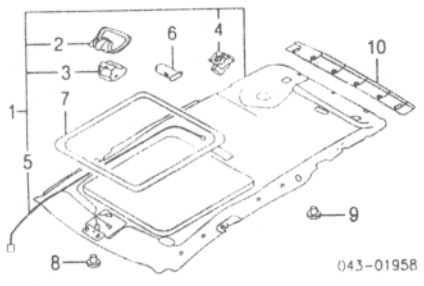
#Includes R&L Headliner, R&L Both Sides 3.5



1 Panel, Roof	53601SA0009P	#21.5	338.97
#Includes R&IR&R Roof Rail Assy			
2 Panel, Front Header	53400SA0009P	1.5	88.22
3 Panel, Rear Header	53410SA0009P	1.5	112.15
4 Bow, Front Roof	53701SA0019P		140.20
4 Bow, Center Reinf			
5 No. 1	53701SA0209P		49.00
6 No. 2	53701SA0309P		49.00
7 No. 1	53701SA0509P		49.00
8 No. 2	53701SA0609P		49.00
9 Bracket, Carrier	53620SA030	.5	65.33
10 Bracket, Roof	R 50837SA000	.5	11.43
	L 50837SA010	.5	11.43
11 Rail, Roof			
2.5 X, 2.5 XS Model	R 91151SA000	#1.0	301.43
	L 91151SA010	#1.0	301.43
2.5 XT Model	R 91151SA020NN	#1.0	301.43
	L 91151SA030NN	#1.0	301.43
#w/Headliner Removed, R&R Both Sides 1.5			
Reinforcement, Roof Rail-See Rocker/Pillars/Floor Section			
Rail, Roof Inner-See Rocker/Pillars/Floor Section			
12 Weatherstrip, Roof	R 63521SA000	4	98.13
	L 63521SA010	4	98.13
13 Cover, Pillar-See Rocker/Pillars/Floor Section		1.0	126.17
14 Moulding & Retainer, Roof	R 63531SA000	1.0	126.17
	L 63531SA010	1.0	126.17
15 Retainer, Center	R 63542SA000	2	16.83
	L 63542SA010	2	16.83
Cross Bar Set Dealer Installed Standard Square	E361SSA000 E361ESA000	248.45 129.95	

INTERIOR TRIM

R&L Headliner Assy	2.0
--------------------	-----

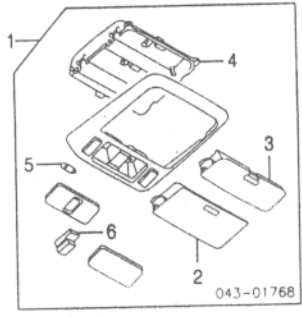


1 Headliner Assy			
w/Sunroof			
Beige	94420SA021ES	2.0	395.45
Gray	94420SA021NE	2.0	395.45
w/o Sunroof			
Beige	94410SA021ES	2.0	395.45
Gray	94410SA021NE	2.0	395.45
2 Holder, Base[]			

w/Sunroof			
Beige	94472FC010ES	2	9.80
Gray	94472FC010NE	2	8.97
w/o Sunroof			
Beige	94472SA000ES	2	7.37
Gray	94472SA000NE	2	7.37
3 Cover, Holder[]			
w/Sunroof			
Beige	R 94472FC501ES	6.55	7.37
	L 94461SA020ES	5.72	7.37
Gray	R 94472FC501NE	5.72	7.37
	L 94461SA020NE	5.72	7.37
w/o Sunroof			
Beige	94472SA000ES	7.37	7.37
Gray	94472SA000NE	7.37	7.37
4 Cover, Child Anchor[]			
Beige	R 94461SA030ES	7.37	7.37
	L 94461SA020ES	7.37	7.37
Gray	R 94461SA030NE	7.37	7.37
	L 94461SA020NE	7.37	7.37
5 Harness, Roof[]			
w/Sunroof	81801SA010	70.23	
w/o Sunroof	81801SA000	45.75	
[]Included w/Headliner Assy			
6 Cap, Holder			
w/Sunroof			
Beige	94482FC501ES	7.37	
Gray	94482FC501NE	5.88	
w/o Sunroof			
Beige	94482FC001ES	6.55	
Gray	94482FC001NE	5.88	
7 Garnish, Sunroof-See Sunroof Section			
8 Clip, Front Headliner (3)			
w/o Sunroof			
Beige	94415FC060ES	.98	
Gray	94415FC060NE	.98	
9 Clip, Rear Headliner			
w/Sunroof (3)			
Beige	94415FC060ES	.98	
Gray	94415FC060NE	.98	
w/o Sunroof (4)			
Beige	95022AC040ES	1.98	
Gray	95022AC040CB	.84	
10 Trim, Rear Header			
Beige	94016SA000ES	28.60	
Gray	94016SA000ND	28.60	

OVERHEAD CONSOLE

R&L Overhead Console Assy	.5
---------------------------	----



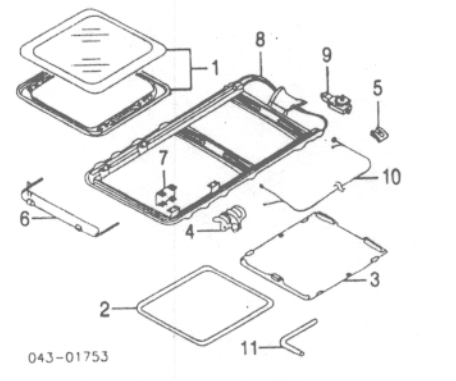
1 Console Assy, Overhead			
w/Sunroof			
Beige	92151SA010ES	.5	140.20
Gray	92151SA010NE	.5	140.20
w/o Sunroof			
Beige	92151SA000ES	.5	121.97
Gray	92151SA000NE	.5	121.97
Lens, Console[]			
2 Front			
Beige	92154SA000ES	17.98	
Gray	92154SA000NE	17.98	
3 Rear			
Beige	92154SA010ES	19.58	
Gray	92154SA010NE	19.58	
4 Housing, Console[]			
Beige	92154SA020ES	.5	16.33
Gray	92154SA020NE	.5	16.33
5 Bulb, Console[] (2)	84920AC050		1.95
6 Switch, Sunroof[]	83081FC050		32.52
[]Included w/Overhead Console Assy			

SUNROOF

O/H Sunroof Assy	#3.0
#w/Headliner Removed	
NOTE: All Parts in this section are included in overhaul unless noted otherwise.	

Illustration Located in Next Column

1 Glass, Sunroof	65430SA000	1.0	536.07
2 Garnish, Sunroof			
Beige	94470SA000ES	50.32	
Gray	94470SA000NE	50.32	



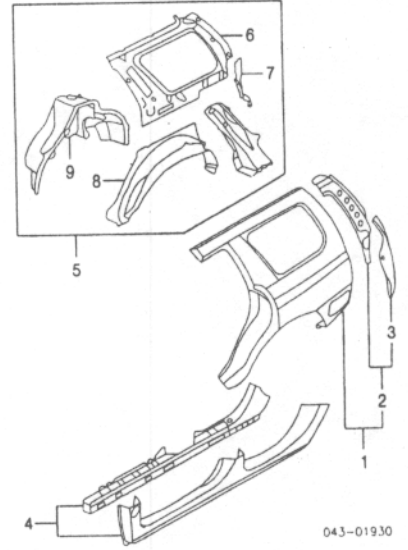
3 Sunshade			
Beige	65470SA000ES	.6	338.97
Gray	65470SA000NE	.6	338.97
4 Bracket, Sunroof Frame	R 53620SA010		9.80
	L 53620SA020		9.80
	R/L 65403SA000		5.72
	65471SA000	.3	81.68
5 Bracket, Frame Rear			
6 Deflector, Air			
7 Shim, Sunroof			
.5mm (B)	65469FC000		1.18
1mm (B)	65416GA030		1.18
[]As Required			
8 Frame, Sunroof	65420SA000	3.0	458.07
9 Motor, Sunroof	65450SA000	.8	252.35
10 Harness, Sunroof	65480SA000		65.33
11 Handle, Sunroof	65411KA000		2.92

QUARTER PANEL

Use Procedure Explanations 20 and 28 with the following text.

SHEET METAL

Refinish Quarter Panel Outside	R/L	2.2
Add for Pillar	R/L	.5
Add to Edge Panel	R/L	.5
Refinish Fuel Door		#.4
#Included in Refinish Right Quarter Panel		
R&R Both Quarter Panels		24.8
R&R Roof & Both Quarter Panels		42.3
w/Sunroof		41.3
w/o Sunroof		26.8
R&R Rear Body Panel & Both Quarter Panels		44.3
R&R Roof, Both Quarter Panels & Rear Body Panel		43.3
w/Sunroof		43.3
w/o Sunroof		2
Add to R&R Quarter Panel		
To R&L Quarter Glass	R/L	.2



1 Panel Assy, Outer Quarter	R 51439SA0009P	#13.5	365.91
	L 51439SA0109P	#13.0	365.91
#Deduct 3.5 w/ Roof Removed, Deduction Includes Common Surfaces & Included Operations			
2 Reinforcement Assy, Quarter[]	R 51472SA3419P	2.0	112.15
	L 51472SA3519P	2.0	112.15
3 Panel, End[] (a)	R 51447SA0019P	1.0	49.00
	L 51447SA0119P	1.0	49.00
[]Included w/Outer Quarter Panel Assy			
(a) Included w/Quarter Reinforcement Assy			
4 Panel, Outer Rocker-See Rocker/Pillars/Floor Section			

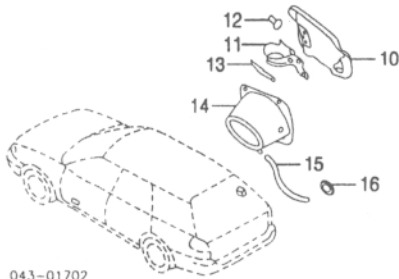
SUBARU FORESTER 2003-04

QUARTER PANEL Cont'd

SHEET METAL Cont'd

5 Panel Assy, Inner Quarter	R 51510SA0619P	s 6.5	397.07
	L 51510SA1019P	s 6.5	397.07
6 Panel, Upr Inr Quarter]	R 51512SA0208P	s 2.0	266.37
	L 51512SA0308P	s 2.0	266.37
7 Panel, Extension]]	R 51575SA0009P	s 1.5	16.33
	L 51575SA0109P	s 1.5	16.33
8 Panel, Outer Wheelhouse]]	R 51580SA0009P	s 4.0	98.13
	L 51580SA0109P	s 4.0	98.13
9 Panel, Inner Wheelhouse]]	R 51580SA0019P	s 2.5	288.13
	L 51580SA0119P	s 2.5	288.13

]]Included w/Inner Quarter Panel Assy

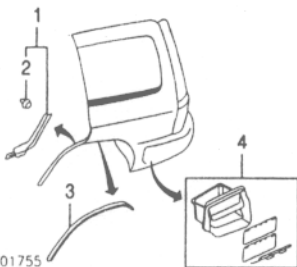


043-01702

10 Door, Fuel	R 57601SA0009P	3	29.42
11 Hinge, Fuel Door	R 57610AC000		14.95
12 Stopper, Hinge	R 57612PA000		1.75
13 Spring, Fuel Door	R 57651FC000		2.47
14 Reinf, Fuel Door	R 51478FE010		22.88
15 Hose, Fuel Drain	R 51485FC000		5.02
16 Grommet, Hose	R 90321AC050		.88

EXTERIOR TRIM

Refinish Quarter Moulding	R/L	4
R&L Quarter Moulding	R/L	2



043-01755

1 Moulding Assy, Quarter			
2.5 X Model	R 91112SA260	2	14.68
	L 91112SA270	2	14.68
2.5 XS, 2.5 XT Model			
Black	R 91119SA160VO	2	25.30
	L 91119SA170VO	2	25.30
Gold	R 91119SA160GH	2	25.30
	L 91119SA170GH	2	25.30
Gray	R 91119SA160MA	2	25.30
	L 91119SA170MA	2	25.30
Red	R 91119SA160UD	2	25.30
	L 91119SA170UD	2	25.30
Silver	R 91119SA160TG	2	25.30
	L 91119SA170TG	2	25.30
White	R 91119SA160WG	2	25.30
	L 91119SA170WG	2	25.30
Paint to Match	R 91112SA160	2	17.98
	L 91112SA170	2	17.98

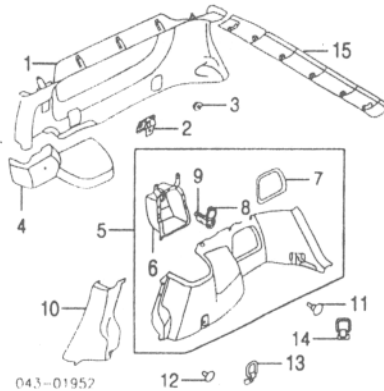
2 Clip, Moulding]] (a)			
2003			
To 9-02	R/L 909130088		2.47
From 9-02	R/L 909130109		.98
2004	R/L 909130109		.98
]]Included w/Quarter Moulding Assy			
(a) As Required			
3 Protector, Wheel Opening	R/L 91016SA000	2	28.60
4 Grille, Air Vent	R 72651AE010	#2	13.87
	L 72651SA000	#2	40.03

#w/Bumper Removed

INTERIOR TRIM

Illustration Located in Next Column

1 Trim, Upper Qtr			
Beige	R 94015SA020ES	3	98.02
	L 94015SA030ES	3	98.02
Gray	R 94015SA020ND	3	98.02

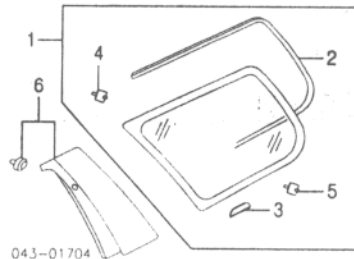


043-01952

2 Bracket, Qtr Trim	L 94015SA030ND	3	98.02
	R 94080SA000		2.47
	L 94080SA010		2.47
3 Grommet, Screw (3/Side)	R/L 661179000		.44
4 Cap, Rear Strut			
Beige	R 94070SA000ES	2	17.15
	L 94070SA010ES	2	17.15
Gray	R 94070SA000ND	2	17.15
	L 94070SA010ND	2	17.15
5 Trim Assy, Lower Quarter			
Beige	R 94027SA030GH	4	109.37
	L 94027SA040GH	4	109.37
Gray	R 94027SA000OK	4	109.37
	L 94027SA010OK	4	109.37
Off Black	R 94027SA000JA	4	109.37
	L 94027SA010JA	4	109.37
6 Pocket, Quarter Trim]]			
Beige	R 94076SA000ES	17.15	
	L 94076SA010ES	17.15	
Gray	R 94076SA000ND	17.15	
	L 94076SA010ND	17.15	
Off Black	R 94076SA000ML	17.15	
	L 94076SA010ML	17.15	
7 Cover, Pocket]]			
Beige	R 94053SA020ES	6.55	
	L 94053SA030ES	6.55	
Gray	R 94053SA020ND	6.55	
	L 94053SA030ND	6.55	
Off Black	R 94053SA020ML	6.55	
	L 94053SA030ML	6.55	
8 Cover, Socket]]	R 86712FA010	7.87	
9 Socket, Power Outlet]]	R 86711FA060	19.50	
]]Included w/Lower Quarter Trim Assy			
10 Trim, Front			
Beige	R 94018SA000ES	2	17.15
	L 94018SA010ES	2	17.15
Gray	R 94018SA000ND	2	17.15
	L 94018SA010ND	2	17.15
Off Black	R 94018SA000OK	2	17.15
	L 94018SA010OK	2	17.15
	R 94018SA000JA	2	17.15
	L 94018SA010JA	2	17.15
Clip, Trim			
No. 1 (6/Side)			
Beige	R/L 99045FE010GH	d.98	
Gray	R/L 99045FE010NF	.98	
No. 2]]			
Beige	R/L 94099AA200ES	1.48	
Dark Gray	R/L 94099AA200OE	1.60	
Light Gray	R/L 94099AA200NF	1.62	
]]As Required			
13 Hook, Front (2/Side)	R/L 94072SA000	7.37	
14 Hook, Rear (2/Side)	R/L 94072SA010	7.37	
15 Trim, Rear Header-See Roof Section			

QUARTER GLASS

R&L Quarter Glass	R/L	#1.7
#Includes Clean Up Old Adhesive as Necessary		



043-01704

1 Glass Assy, Quarter			
Subaru	R 65209SA060	#1.5	209.23
	L 65209SA100	#1.5	287.38
NAGS (Green)	R FQ21763GTN	#1.5	771.90
	L FQ21764GTN	#1.5	868.60
#Includes Clean Up Old Adhesive as Necessary			
2 Decal]]			

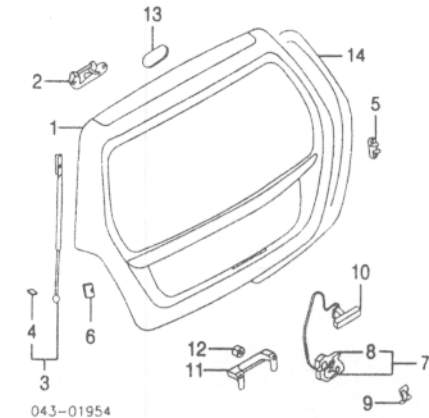
*AWD	R/L 65243SA000	2	8.9
3 Clip, Glass Upper]]	R/L 65235SA000		1.5
4 Clip, Glass Lower]]	R/L 65235SA010		1.5
]]Included w/Quarter Glass Assy			
5 Moulding, Reveal	R/L 65258SA000		7.3
6 Garnish, Quarter Glass	R 65240SA020	2	66.1
	L 65240SA030	2	66.1

LIFTGATE

Use Procedure Explanations 25 and 28 with the following text.

SHEET METAL

Refinish Liftgate Outside		2.5
Add for Underside		1.2
Refinish Hinge	R/L	2
R&L Liftgate Assy		5
R&L Lock Cylinder		#5
#Includes R&L/R&R Lower Trim Panel		
R&L Outside Handle		#7
#Includes R&L/R&R Lower Trim Panel & Latch		
Add to R&R Liftgate		
To Transfer Glass		8



043-01954

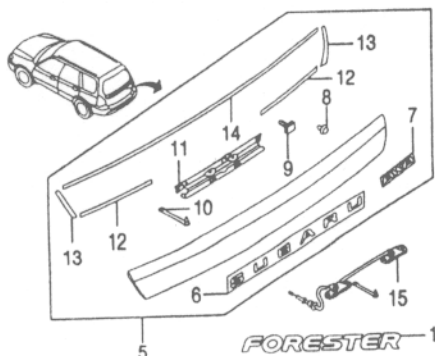
1 Shell, Liftgate	60809SA0409P	4.7	380.6
2 Hinge, Liftgate	R/L 61820FC100	#2	21.8
#w/Liftgate Removed			
3 Stay Assy, Prop	R 63269SA000	#2	57.2
	L 63269SA010	#2	57.2
#w/Rear Combination Lamp Removed			
4 Ball, Stud]]	R/L 62351AA010		6.4
]]Included w/Prop Stay Assy			
Cushion, Liftgate			
5 Body Side	R/L 63112SA000	1	7.3
6 Liftgate Side	R/L 63112SA020	1	7.3
7 Latch Assy, Liftgate	63022SA000	#2	73.5
8 Actuator, Latch]]	63101SA000	#2	66.6
]]Included w/Liftgate Latch Assy			
#w/Lower Trim Panel Removed			
9 Striker, Latch	63264SA000	2	11.1
10 Handle, Outside	63160SA000	#3	50.3
#w/Lower Trim Panel & Latch Removed			
11 Handle, Inside			
Beige	60323FC000ES		16.3
Gray	60323FC000ND		16.3
12 Grommet Inside Handle (4)	909300012		1.5
13 Cover, Hole	760157050		2.9
14 W/Strip, Gate Opening	63516SA000	4	65.3

EXTERIOR TRIM

R&L Liftgate Garnish		#1.0
#Includes R&L Trim Panel & R&L/R&R Wiper Motor		

Illustration Located in Next Column

Nameplate (Adhesive)			
1 *FORESTER	93073SA020	2	17.15
2 *2.5 X*	93073SA640	2	17.15
3 *2.5 XS*	93073SA650	2	22.88
4 *2.5 XT*	93073SA670	2	28.60
5 Garnish Assy, Liftgate			
2003			
To 1-03	91112SA000	#3	274.77
From 2-03	91112SA480	#3	274.77
2004	91112SA480	#3	274.77
#w/Trim Panel & Wiper Motor Removed			
Nameplate (Adhesive]]			
6 *SUBARU	91174SA010	2	57.20
7 *AWD	91174SA050	2	17.15
8 Clip, Garnish]] (6)			
2003			
To 1-03	909130088		2.47
From 2-03	91059FC030		80
2004	91059FC030		80
9 Bolt, Garnish]] (7)	901120116		88
10 Clamp, Bracket]]	86617FA060		1.10

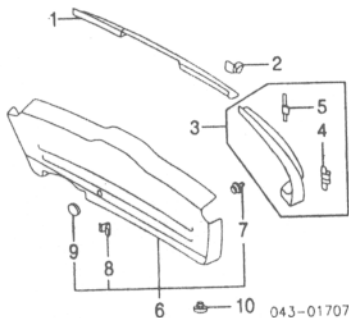


043-01955

11 Bracket, Lamp Mounting]	91165SA000	#.3	17.15
12 Spacer, Garnish]	RL 91176SA000		7.37
13 Protector, Garnish]			
14 Side	RL 91088FC000	#.3	6.43
15 Upper	91163SA000	#.3	17.15

*†Included w/Liftgate Garnish Assy
#R&R Complete, w/Trim Panel & Wiper Motor Removed*

INTERIOR TRIM

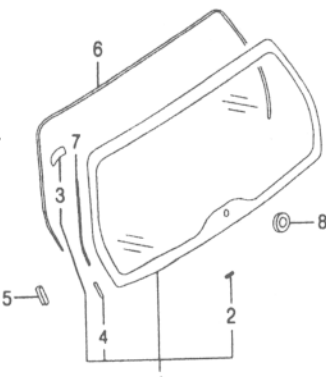


1 Trim, Upper Center		2	22.88
Beige	94310SA000ES		
Light Gray	94310SA000ND	2	22.88
2 Holder, Trim (4)	92075SA000		1.98
3 Trim Assy, Upper Side		2	17.15
Beige	R 94330SA000ES		22.88
Light Gray	L 94330SA010ES	2	17.15
Gray	R 94330SA000ND	2	22.88
Light Gray	L 94330SA010ND	2	22.88
4 Base, Mounting]	R 92023SA000		2.47
	L 92023SA010		2.47
5 Clip, Upper Trim]	RL 81901FC061		3.25
<i>†Included w/Upper Side Trim Assy</i>			
6 Trim Assy, Lower		2	81.68
Beige	94320SA000ES		
Gray	94320SA000ND	2	81.68
7 Clip, Lower Trim]		2.47	
No. 1 (5)	909130101		.98
No. 2	909100028		
8 Cap, Lower Trim]		2.47	
Beige	94380SA010ES		2.47
Light Gray	94380SA010ND		
<i>†Included w/Lower Trim Assy</i>			
10 Clip, No. 3 (4)	N.A.		0.00

GLASS & PARTS

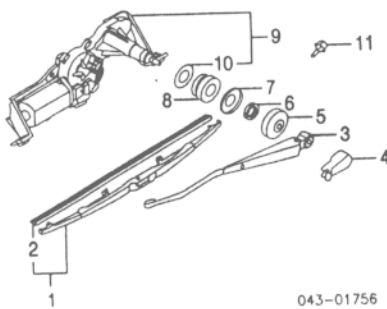
Illustration Located in Next Column

1 Glass Assy, Liftgate		2.5	357.70
Subaru	63019SA030		
NAGS	FB21765GTN	2.5	1441.90
2 Spacer, Glass]	63232SA020		3.25
3 Holder, Glass]	RL 63166SA000		3.25
4 No. 1]	RL 60212FC020		3.03
No. 2	RL 63140SA000		4.07
<i>†Included w/Liftgate Glass Assy</i>			
6 Weatherstrip, Glass	63232SA000	2.5	8.97
7 Seal, Glass Side	RL 63232SA010		1.98
8 Cushion, Wiper-See Wiper System Section			



WIPER SYSTEM

R&L Washer Nozzle..... 2



1 Blade Assy, Rear Wiper	03 SOA591U215	.1	7.95
	04 86542SA050	.1	14.95
2 Insert, Blade]	03 SOA591U215R	.1	4.95
	04 86548SA020	.1	8.75
<i>†Included w/Rear Wiper Blade Assy</i>			
3 Arm, Rear Wiper	03 86532SA060	#.2	30.95
	04 86532SA070	#.2	36.25
<i>#Includes R&R Wiper Blade Assy or Insert</i>			
4 Cover, Wiper Arm	03 86538TA010		1.73
	04 86538SA010		2.47
5 Cap, Pivot	86535AE000		1.68
6 Nut, Pivot	902100035		4.37
7 Spacer, Pivot	86525AE010		1.98
8 Cushion, Wiper	86536SA000		3.25
9 Motor Assy, Wiper	86510SA070	#.7	140.20
10 Spacer, Motor]	86525AE000		.60
<i>†Included w/Wiper Motor Assy</i>			
11 Nozzle, Washer			
2003			
To 9-02	86636FE000	#.2	19.58
From 10-02	86636SA100	#.2	19.58
2004	86636SA100	#.2	19.58
<i>#Included in R&R Liftgate</i>			

REAR SUSPENSION

Use Procedure Explanation 23 with the following text.

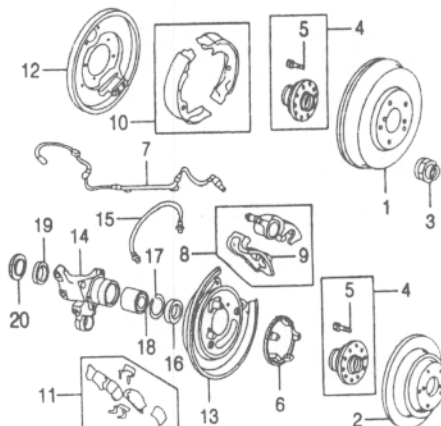
R&L Suspension/Crossmember Assy.....	m	2.2
R&L Suspension (One Side).....	R/Lm	1.5
O/H Suspension (Includes R&L)		
One Side.....	R/Lm	3.4
Both Sides.....		6.4
Adjust Four Wheel Alignment.....	m	1.6
Adjust Rear Alignment.....	m	.8
Bleed Brake System.....	m	.6

NOTE 1: R&R/R&R or O/H Does Not include alignment or bleed brake system.

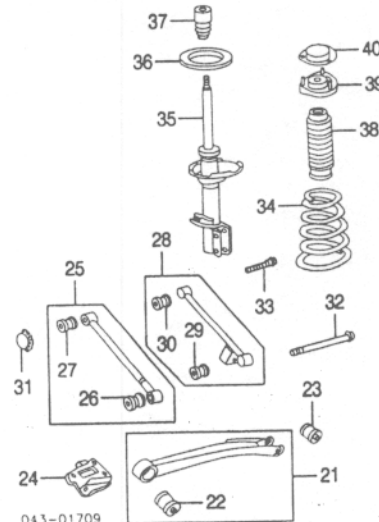
NOTE 2: All Parts in this section are included in overhaul unless noted otherwise.

Illustration Located in Next Column

1 Drum, Brake	RL 26740FA000	m	#.5	119.95
<i>#R&R Both Sides .8</i>				
2 Rotor, Brake	RL 26700FE010	m	#.6	74.95
<i>#R&R Both Sides 1.0</i>				
3 Nut, Axle	RL 28044AA000	m		4.37
4 Hub Assy	RL 28469FE000	m	#2.0	135.75
5 Bolt, Hub]	RL 28055AA002	m		2.23
<i>†Included w/Hub Assy</i>				
6 Rotor, Rear ABS Sensor	RL 26750AA014	m	#2.0	80.85
<i>#R&R One Side Complete, Includes R&R Spindle, Bearings & Drum or Rotor, R&R Both Sides 3.6</i>				



7 Sensor, Rear ABS-See ABS/Brakes Section	03 R 26692FC000	m	#.5	199.95
8 Calliper Assy, Brake	L 26692FC010	m	#.5	199.95
	04 R 26692FE020	m	#.5	224.27
	L 26692FE030	m	#.5	224.27
	03 R/L 26692FC000	m	#.5	79.33
	04 R/L 26625FE000	m	#.5	64.68
<i>†Included w/Brake Caliper Assy</i>				
<i>#R&R One Side Complete, R&R Both Sides .8</i>				
10 Shoe Set, Brake	26298AA011	m	#1.4	41.95
<i>#Includes R&R Brake Drums</i>				
11 Pad Set, Brake	03 26696FC002	m	#1.0	72.50
	04 26696FE040	m	#1.0	72.50
<i>#Deduct .5 for Each Caliper Removed</i>				
12 Plate, Backing	R 26655FA000	m	#2.0	52.48
Drum Brakes	L 26655FA010	m	#2.0	52.48
13 Shield, Splash	R 26255AA061	m	#2.0	127.42
Disc Brakes	L 26255AA071	m	#2.0	127.42
	R 28419FE000	m	#2.0	154.22
	L 28419FE010	m	#2.0	154.22
14 Spindle				
<i>#R&R One Side Complete, Included in R&R Hub Assy, R&R Both Sides 3.6</i>				
15 Hose, Brake	R 26541SA000	m	#.3	39.22
	L 26541SA010	m	#.3	39.22
<i>#w/Caliper or Backing Plate Removed Deduct .2</i>				
16 Seal, Outer	R/L 28015AA050	m	#2.0	10.45
17 Circlip	R/L 28035AA040	m	#2.0	5.95
18 Bearing	R/L 28016AA030	m	#2.0	74.50
19 Seal, Inner Primary	R/L 28015AA110	m	#2.0	11.25
20 Seal, Inner Secondary	R/L 28015AA100	m	#2.0	10.13
<i>#R&R One Side Complete, Included in R&R Hub Assy, R&R Both Sides 3.6</i>				



21 Link Assy, Trailing	RL 20250SA050	m	.5	102.42
22 Bushing, Trailing Link]	RL 20254SA000	m	#.6	17.00
<i>†Included w/Trailing Link Assy</i>				
23 Bushing, Link Rear	RL 20271AA010	m	#.6	29.10
<i>#R&R One Side Complete, w/Spindle Removed Deduct .3, R&R Both Sides 1.0</i>				
24 Bkt, Trailing Link	R 20520SA000	m	#.2	0.00
	L 20540SA010	m	#.2	28.77
<i>#w/Trailing Link Removed</i>				
25 Link Assy, Front Lateral	RL 20250SA000	m	.5	98.02
26 Bushing, Lateral Link Out]	RL 20251AA000	m	#.6	26.17
27 Bushing, Lateral Link In]	RL 20254SA010	m	#.6	5.88

SUBARU FORESTER 2003-04

REAR SUSPENSION Cont'd

†Included w/Front Lateral Link Assy
#R&R One Side Complete, w/Spindle Removed Deduct .3, R&R Both Sides 1.0

28 Link Assy, Rear Lateral	R/L 20250SA010	m	#5	98.02
29 Bushing, Lateral Link Otr	R/L 20251AA000	m	#6	26.17
30 Bushing, Lateral Link Inr	R/L 20251AA021	m	#6	10.58

†Included w/Rear Lateral Link Assy
#R&R One Side Complete, w/Spindle Removed Deduct .3, R&R Both Sides 1.0

31 Cap, Lateral Link	R/L 20530AA020	m	#2.0	4.95
32 Bolt, Lateral Link Otr	R/L 20540AA000	m	#2.0	25.47
33 Bolt, Lateral Link Inr	R/L 901000110	m	#2.0	1.77
34 Spring, Coil	R/L 20380SA020	m	#2.0	66.98
2.5 X Model				
2.5 XS Model				
w/LEV				
w/Premium Pkg	R/L 20380SA110	m	#2.0	66.98
w/o Premium Pkg	R/L 20380SA100	m	#2.0	66.98
w/LEV				
w/Premium Pkg	R/L 20380SA030	m	#2.0	66.98
w/o Premium Pkg	R/L 20380SA020	m	#2.0	66.98
2.5 XT Model	R/L 20380SA060	m	#2.0	66.98

35 Strut

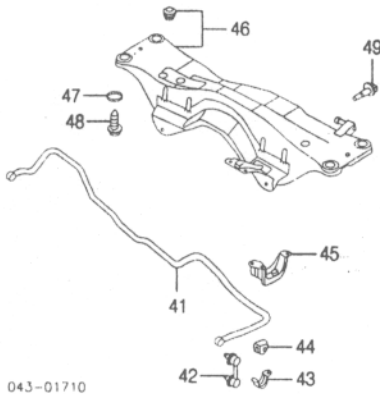
2.5 X Model	R 20360SA000	m	#2.0	129.95
	L 20360SA010	m	#2.0	129.95
2.5 XS Model	R 20360SA020	m	#2.0	372.87
w/LEV	L 20360SA030	m	#2.0	372.87
	R 20360SA000	m	#2.0	129.95
	L 20360SA010	m	#2.0	129.95
w/o LEV	R 20360SA020	m	#2.0	372.87
	L 20360SA030	m	#2.0	372.87
2.5 XT Model	R 20360SA020	m	#2.0	372.87
	L 20360SA030	m	#2.0	372.87

†Order by Application

36 Pad, Spring Lower	R/L 20375FC001	m	#2.0	7.73
37 Bumper, Stop	R/L 20371AA041	m	#2.0	22.60
38 Boot, Dust	R/L 20372FE010	m	#2.0	15.02
39 Mount, Strut	R/L 20370FE100	m	#2.0	65.33

#R&R One Side Complete, w/Spindle Removed Deduct 1.2, R&R Both Sides 3.8

40 Cap, Strut Mount	R/L 20327AC000			6.87
---------------------	----------------	--	--	------



043-01710

41 Bar, Stabilizer	20451SA000	m	#6	98.02
--------------------	------------	---	----	-------

#Not Included In O/H

42 Link, Stabilizer				
2003				
To 10-02	R/L 20470SA010	m	#3	24.52
From 10-02	R/L 20470SA011	m	#3	24.52
2004	R/L 20470SA011	m	#3	24.52
43 Clamp, Stabilizer	R/L 20402AA000	m	#3	4.85
44 Bushing, Stabilizer	R/L 20401AA020	m	#3	3.93
45 Bracket, Stabilizer	R 20520AC000	m	#3	13.28
	L 20520AC010	m	#3	13.28

#R&R One Side Complete, Included in R&R Stabilizer Bar, Not Included in O/H

46 Crossmember, Susp	20150SA000	m	#4.0	246.73
----------------------	------------	---	------	--------

#Not Included in O/H

47 Stopper, Crossmember (2/Side)	R/L 20176FE000			3.25
48 Bolt, Flange (2/Side)	R/L 901000206			3.08
49 Bolt, Crossmember Rear	R/L 20540AA111			3.22

REAR DRIVE AXLE

R&I Differential Assy				m	1.2
R&I Axle Shaft Assy				R/Lm	#7
O/H Axle Shaft Assy (Includes R&I)				R/Lm	#1.5

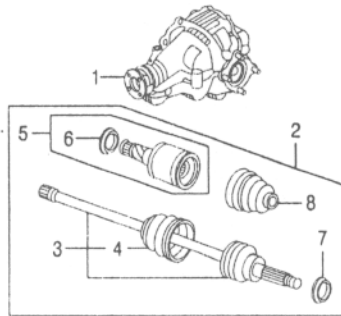
#Spindle Removed Deduct .5

NOTE 1: R&I/R&R or O/H Does Not include adjust wheel alignment.

NOTE 2: All Parts in this section are included in overhaul unless noted otherwise.

Illustration Located in Next Column

1 Differential					
2.5 X Model					



043-01757

Man Trans	27011AA343	m	#1.6	657.16
Auto Trans	27011AA412R1	m	#1.6	R499.99
2.5 XS Model				
Man Trans	27011AA541	m	#1.6	1393.96
Auto Trans	27011AA730	m	#1.6	1380.16
2.5 XT Model	27011AA730	m	#1.6	1380.16

#Not Included in O/H

2 Shaft Assy, Axle				
2003	R 28421FE160	m	#7	359.95
	L 28421FE170	m	#7	359.95
2004				
2.5 X, 2.5 XS Model	R 28421FE161	m	#7	375.51
	L 28421FE171	m	#7	375.51
2.5 XT Model	R 28421FE121	m	#7	389.95
	L 28421FE131	m	#7	359.95

#Spindle Removed Deduct .5

3 Joint Assy, Outer				
2.5 X, 2.5 XS Model	R 28491FE160	m	#1.5	309.73
	L 28491FE170	m	#1.5	309.73
2.5 XT Model	R 28491FE120	m	#1.5	309.73
	L 28491FE130	m	#1.5	309.73

4 Boot, Outer	(a)			
2.5 X, 2.5 XS Model	R/L 28423FE020	m	#1.5	9.65
2.5 XT Model	R/L 28423FE010	m	#1.5	13.25

(a) Included w/Outer Joint Assy

5 Joint Assy, Inner				
2.5 X, 2.5 XS Model	R/L 28492FE010	m	#1.5	189.63
2.5 XT Model	R/L 28492FE000	m	#1.5	171.70

6 Plate, Baffle	(a)			
Inner	R/L 23233GA091	m	#1.5	6.95

(a) Included w/Inner Joint Assy

7 Plate, Baffle				
Outer	R/L 28437FE000	m	#1.5	6.95

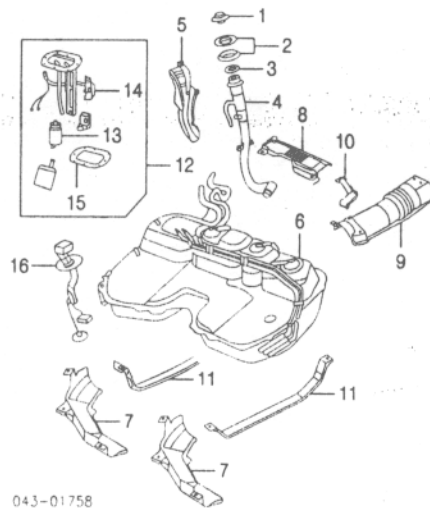
8 Boot, Inner				
2.5 X, 2.5 XS Model	R/L 28023AA130	m	#1.5	12.92
2.5 XT Model	R/L 28423FE000	m	#1.5	13.25

†Included w/Axle Shaft Assy
#R&R One Side Complete, w/Spindle Removed Deduct .5

FUEL TANK

R&I Fuel Tank	#5.2
---------------	------

#Includes R&I Suspension Crossmember & Differential Assy
NOTE: R&R Does Not include drain and refill.



043-01758

1 Cap, Filler	42031SA010			13.95
2 Ring, Retaining	42056AA011			2.27
3 Gasket, Cap	42060GA081			7.33
4 Pipe, Filler	42066SA020			91.15
5 Protector, Pipe	42045SA000			10.62
6 Tank, Fuel				
w/Turbo	42012FE090	m	#5.4	411.60
w/o Turbo	42012SA030	m	#5.4	411.60

#Includes R&R Suspension Crossmember & Differential Assy

7 Protector, Tank	R 42061AA041			18.88
	L 42061AA031			19.80
8 Bracket, Fuel Tank	42052SA020			8.18
9 Shield, Heat	42054SA000			31.02
10 Bracket, Heat Shield	42052SA050			6.55
11 Strap, Tank Support	O3 R 42172AA161			75.77
	L 42172AA181			84.60
	O4 R 42017FE020			40.37
	L 42017FE030			40.37

12 Pump Assy, Fuel				
w/Turbo	42021FE010	m	#7	329.95
w/o Turbo	42021FE020	m	#7	329.95

13 Pump, Fuel				
w/Turbo	42022FE001	m	#7	243.52
w/o Turbo				
2003				
To 4-02	42022FE010	m	#7	243.52
From 4-02	42022FE011	m	#7	243.52
2004	42022FE011	m	#7	243.52

14 Sensor, Level				
w/Turbo	42081FE020	m	#7	73.53
w/o Turbo	42081FE030	m	#7	73.53

15 Gasket, Fuel Sender	42060AA040	m	#7	9.22
------------------------	------------	---	----	------

†Included w/Fuel Pump Assy

16 Meter, Fuel Sender	85111AC012	m	#7	69.95
-----------------------	------------	---	----	-------

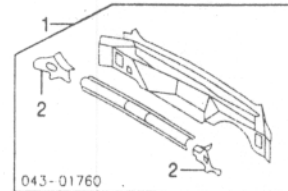
#R&R Complete, Included in R&R Fuel Tank

REAR BODY

Use Procedure Explanations 26 and 28 with the following text.

SHEET METAL

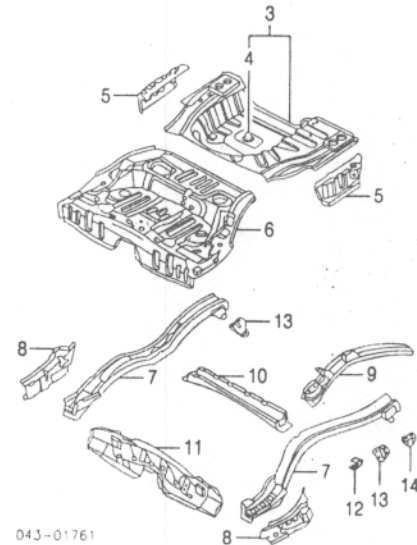
Refinish Rear Body Panel Outside	1.0
Add for Inside	.5
Refinish Rear Floor Pan	1.0



043-01760

1 Panel Assy, Rear Body	52401SA0019P			4.0	169.95
2 Panel, Rear Body Outer	R 52421SA0109P			#1.5	16.33
	L 52421SA0209P			#1.5	16.33

†Included w/Rear Body Panel Assy
#w/Outer Quarter Panel Assy Removed Deduct .5



043-01761

3 Pan Assy, Rear Floor	52120FC201			#12.0	393.02
------------------------	------------	--	--	-------	--------

#w/Rear Body Panel Removed, Deduct 2.0 for Each Inner Wheelhouse Removed

4 Bracket, Spare Tire	52153AA630				3.45
-----------------------	------------	--	--	--	------

†Included w/Rear Floor Pan Assy

5 Extension, Rear Floor	R 52120FA040			#1.0	39.95
	L 52120FA050			#1.0	39.95

#w/Outer Panel Assy Removed

6 Pan, Center Floor-Not Serviced					
----------------------------------	--	--	--	--	--

7 Rail, Side	R 52150SA0709P	s	#8.0	210.28
	L 52150SA1209P	s	#8.0	210.28

#w/Rear Floor Pan Removed

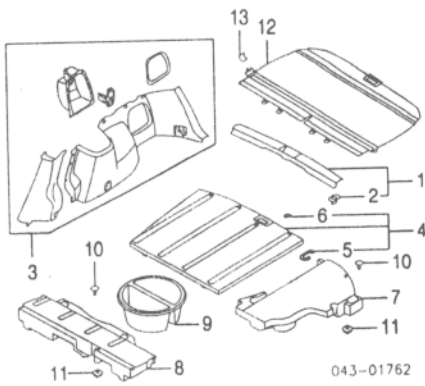
8 Ext, Inner Rocker	R 52154SA0009P	s	#2.5	81.68
	L 52154SA0109P	s	#2.5	81.68

9 Reinf, Rail	R 52143FE280	s		78.43
	L 52143FE290	s		78.43

10 Crossmember, Floor					
2003					

To 12-02	52140FA042	3.5	93.87
From 1-03	52140FA043	3.5	93.87
2004	52140FA043	3.5	93.87
11 Crossmember, Center-Not Serviced			
12 Bracket, Brake Hose	RL 52153FA440		7.13
13 Hook, Tie-Down	R 52159FA021		39.97
	L 52153FA100		18.63
14 Bracket, Muffler	L 50828FA000		6.68

INTERIOR TRIM

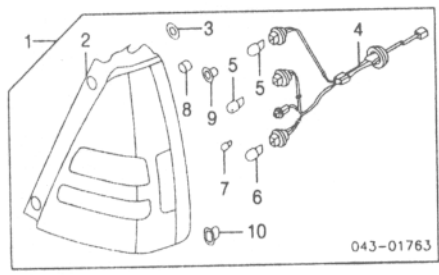


1 Trim Assy, Rear Lower		2	34.32
Beige	94026SA000ES	2	34.32
Black	94026SA000ML	2	28.60
Gray	94026SA000ND	2	1.30
2 Clip, Trim (4)	94062AC000		
#Included w/Rear Lower Trim Assy			
3 Trim Assy, Lower Quarter-See Quarter Panel Section			
4 Cover Assy, Rear Compartment			
Beige	95015SA010ES		152.98
Black	95015SA030ML		194.68
Gray	95015SA010ND		152.98
5 Hook, Cover (1)	95076AE010		7.20
6 Holder, Hook (1)	95032FC010		3.25
#Included w/Rear Compartment Cover Assy			
7 Box, Floor Side			
Beige	R 95067SA000ES		57.20
Black	L 95067SA010ES		80.03
Gray	R 95067SA020ML		71.88
Black	L 95067SA030ML		102.33
Gray	R 95067SA000ND		57.20
Black	L 95067SA010ND		80.03
8 Box, Floor Front			
Beige	95065SA000ES		88.32
Black	95065SA010ML		119.18
Gray	95065SA000ND		88.32
9 Box, Trunk	91141SA010		41.80
10 Clip, Box Upper (3)	95022AC040ML		1.18
11 Clip, Box Lower (3)	95033FC000		1.22
12 Cover, Tonneau			
Beige	65550SA001ES		157.82
Gray	65550SA001ND		157.82
13 Cover, Hole w/o Tonneau Cover			
Beige	R 65546SA000ES		6.38
Black	L 65546SA010ES		6.38
Gray	R 65546SA000ND		6.38
Black	L 65546SA010ND		6.38

REAR LAMPS

COMBINATION LAMP

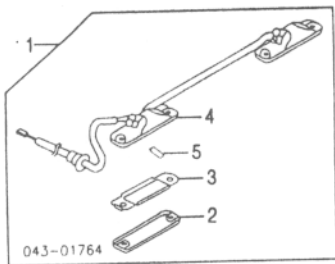
R&I Combination Lamp Assy RL 3



1 Lamp Assy, Combination	R 84201SA020	3	159.95
	L 84201SA030	3	159.95
2 Lens & Housing (1)	R 84912SA020	3	159.30
	L 84912SA030	3	159.30
3 Gasket, Lamp (2/Side)	RL 84940SA000		.98
4 Socket, Bulb (1)	RL 84931SA000		20.57
5 Bulb, Tail/Stop (2/Side)	RL 84920FE000	#2	5.95
6 Bulb, Turn Signal (1)	RL 84920KE020	#2	14.98
7 Bulb, Back-Up (1)	RL 784920430	#2	1.95
#R&R One Side Complete, Included in R&I/R&R Combination Lamp Assy			
8 Tube, Lamp (1)	RL 84975SA000		2.47
Clip, Lamp (1)			

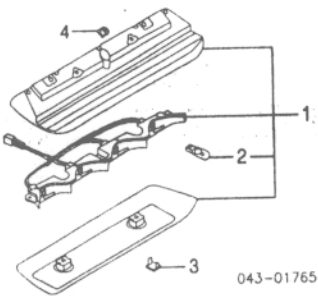
9 Upper	RL 909130085		.98
10 Lower (2/Side)	RL 909130086		.98
#Included w/Combination Lamp Assy			

LICENSE LAMP



1 Lamp Assy, License	84301SA000	#3	29.47
#Included in R&R Liftgate			
2 Lens, Lamp (1)	RL 84910SA000		3.92
3 Gasket, Lens (1)	RL 84940SA010		4.07
4 Socket, Lamp (1)	84931SA030		19.58
5 Bulb, Lamp (1)	RL 784920080		1.50
#Included w/License Lamp Assy			

HIGH MOUNT STOP LAMP



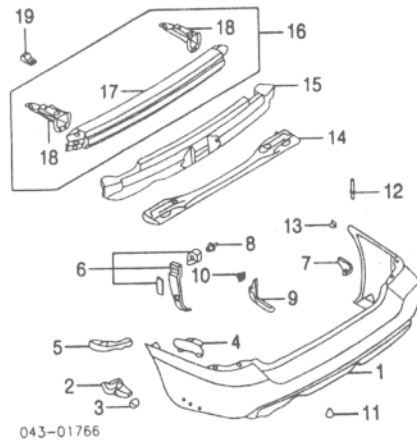
1 Lamp Assy, Stop			
Beige	84701FC030ES	.3	80.85
Gray	84701FC030ND	.3	85.75
2 Bulb, Stop Lamp (4)	84920AA020		1.95
#Included w/Stop Lamp Assy			
3 Cap, Lamp			
Beige	RL 84956AA050ES		1.44
Gray	RL 84956AA050ND		1.72
4 Grommet, Lamp (4)	661179000		.44

REAR BUMPER

Use Procedure Explanations 27 and 28 with the following text.

Refinish Rear Cover.....	2.4
R&I Bumper Assy.....	#1.2
O/H Bumper Assy (Includes R&I).....	#1.6
#Includes R&I/R&R Rear Combination Lamp Assemblies	

NOTE: All Parts in this section are included in overhaul unless noted otherwise.



1 Cover, Rear			
2.5 X Model	57703SA030MC	#1.6	179.95
2.5 XS Model (P)	57704SA010	#1.6	179.95
(P) Paint to Match			
#Includes R&I/R&R Rear Combination Lamp Assemblies			

2 Cover, Side	R 57731SA000		7.40
	L 57731SA010		7.40
3 Nut, Plate	RL 57737FC000		5.00
4 Plate, Cover	RL 91081SA0009P		57.20
5 Support, Upper Bumper	R 57712SA110		15.43
	L 57712SA120		15.43
Bracket, Side			
6 No. 1	R 57707SA060		23.17
	L 57707SA070		23.17
7 No. 2	R 57707SA100		6.17
	L 57707SA110		6.17
8 Pin, Guide	RL 57714AC030		3.85
9 Bracket, Center	57707SA040		12.35
10 Grommet, Center Brlt	57750FC010		.70
11 Clip, Cover			
2003 (16)	909140007		.70
2004 (20)	909140007		.70
Rivet, Cover			
12 No. 1 (6)	905920035		.70
13 No. 2	RL 57714FC010NN		1.80
14 Reinforcement, Upper	57712SA080		46.28
15 Absorber, Impact	57705SA010		IOH 64.95
16 Bar Assy, Reinforcement	57712SA030		IOH 199.95
17 Bar, Rein (1)	57712SA220		IOH 132.20
18 Bracket, Bumper Mtg (1)	R 57714SA0109P		IOH 18.17
	L 57714SA0009P		IOH 18.17
#Included w/Reinforcement Bar Assy			
19 Stopper, Bar	RL 57728SA000		1.98

SUBARU FORESTER 1998-02

SECTION INDEX

A/C HEATER/VENTILATION764
 A/C REFRIGERANT CAPACITIES 764
 ABS/BRAKES 766
 AIR BAG SYSTEM 766
 AIR CLEANER 769
 CENTER CONSOLE 772
 CLEAR COAT IDENTIFICATION 762
 COOLING 763
 COWL & DASH 771
 CRUISE CONTROL SYSTEM 767
 ELECTRICAL 770
 EMISSION SYSTEM 770
 ENGINE OIL COOLER 764
 ENGINE UNDER COVER 769
 ENGINE/TRANS 769
 ENGINE/TRANS MOUNTS 769
 EXHAUST 770
 FRONT BUMPER 762
 FRONT DOOR 775
 FRONT DRIVE AXLE 768
 FRONT FENDER 765
 FRONT INNER STRUCTURE 765
 FRONT LAMPS 763
 FRONT SEAT 774
 FRONT STEERING LINKAGE/GEAR 768
 FRONT SUSPENSION 767
 FUEL TANK 781
 GRILLE 762
 HOOD 763
 INFORMATION LABELS 762
 INSTRUMENT PANEL 772
 LIFTGATE 779
 PAINT CODE LOCATION 762
 QUARTER GLASS 779
 QUARTER PANEL 778
 REAR BODY 781
 REAR BUMPER 783
 REAR DOOR 776
 REAR DRIVE AXLE 781
 REAR LAMPS 782
 REAR SEAT 774
 REAR SUSPENSION 780
 ROCKER/PILLARS/FLOOR 773
 ROOF 777
 SEAT BELTS 774
 SPECIAL CAUTIONS 762
 STEERING PUMP 768
 STEERING WHEEL/COLUMN 768
 SUNROOF 778
 UNDERHOOD DIMENSIONS 765
 WHEEL 767
 WINDSHIELD 771

SPECIAL CAUTIONS

SUPPLEMENTAL RESTRAINT SYSTEM

Refer to Procedure Explanation 29 for Supplemental Restraint/Air Bag Special Cautions.

PAINT CODE LOCATION

Paint code located on left shock tower.

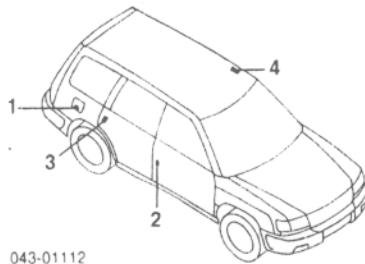
CLEAR COAT IDENTIFICATION

All colors are clear coat.

INFORMATION LABELS

Illustration Located in Next Column

1 Label, Unleaded Fuel	91519GA420	1.40
2 Label, Tire Pressure		
1998-00		
Base, L Model	28191FC031	2.48
S Model	28191FC081	2.48
2001		



043-01112

L Model	28191FC150	1.98
S Model	28191FC160	1.98
2002		
L Model	28191FC260	2.13
To 5-01	28191FC310	2.13
S Model	28191FC270	2.13
To 5-01	28191FC320	2.13
3 Label, Child Lock	R/L 760182000	1.98
4 Label, Roof Caution	91079FC000	2.02
Label, A/C		
1998-00		
No. 1 (2)	98 73090AA060	3.92
No. 2	73750FA122	4.42
2001-02	73750FC110	4.07
Label, Air Bag		
Front Air Bag	98281FC001	2.38
Side Air Bags	98281AE060	2.92
Label, Fuse Cover	82245FC200	1.90
Label, Shift Lock	791528500	9.75
Label, Fan Caution-See Cooling Section		
Label, Radiator-See Cooling Section		

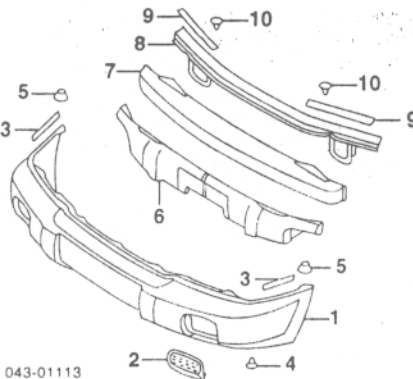
FRONT BUMPER

Use Procedure Explanations 1 and 28 with the following text.

1998-00

Refinish Front Cover	2.0
Refinish Fog Lamp Cover	R/L .4
R&I Bumper Assy	#1.5
<i>#Includes R&I Grille, R&I/R&R Fender Extension & Front Undercover</i>	
O/H Bumper Assy (Includes R&I)	#1.8
<i>#Includes R&I Grille, Fender Extensions and Front Undercover</i>	
Add to R&R or O/H Bumper	
w/Fog Lamps	.5
w/Brush Guard	.5

NOTE: All Parts in this section are included in overhaul unless noted otherwise.



043-01113

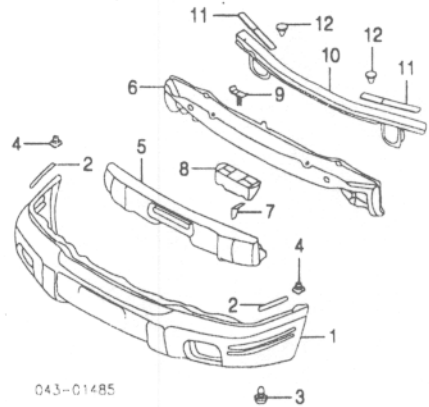
1 Cover, Front		
Base, L Model	57720FC100	#1.8 299.95
S Model (P)	57720FC130	#1.8 299.95
<i>#Includes R&I Grille, Fender Extensions and Front Undercover</i>		
2 Cover, Fog Lamp Hole (P)		
w/o Fog Lamps	R 57751FC040	.2 13.00
	L 57751FC050	.2 13.00
<i>(P) Paint to Match</i>		
Reinf, Fog Lamp	R 57743FC010	43.15
	L 57743FC020	43.15
3 Seal, Cover Side	R/L 57798FC020	.2 1.90
4 Clip, Cover (5)	57728AC090	.80
5 Grommet, Side	R/L 909300037	1.22
6 Screw, Bumper/Fender	R/L 904580007	.48
7 Bar, Reinforcement	98 57730FC040	IOH 64.95
w/Fog Lamps	99-00 57730FC080	IOH 64.95
8 Absorber, Impact	98-99 57760FC061	IOH 239.95
	00 57760FC061	IOH 239.95
w/o Fog Lamps	57760FC061	IOH 239.95
9 Beam, Rear	98 57760FC210	IOH 79.95
	R 57790FC100	IOH 9.95
	L 57790FC110	IOH 9.95

10 Clip, Rear Beam (7)	57728FC110	98
Guard, Brush	E7710FC000	#.5 346.00
<i>#w/Bumper Assy Removed</i>		

2001-02

Refinish Front Cover	2.0
R&I Bumper Assy	#1.5
<i>#Includes R&I Grille, R&I/R&R Fender Extension & Front Undercover</i>	
O/H Bumper Assy (Includes R&I)	#2.3
<i>#Includes R&I Grille, Fender Extensions, Fog Lamps and Front Undercover</i>	
Add to R&R or O/H Bumper	
w/Brush Guard	.5

NOTE: All Parts in this section are included in overhaul unless noted otherwise.

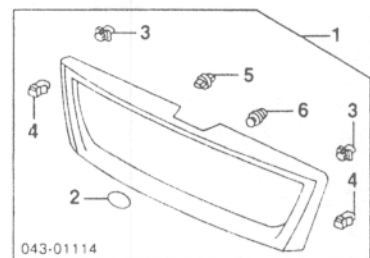


043-01485

1 Cover, Front		
L Model	57717FC170MC	#2.3 299.95
S Model (P)	57720FC160	#2.3 299.95
<i>(P) Paint to Match</i>		
<i>#Includes R&I Grille, Fender Extensions, Fog Lamps and Front Undercover</i>		
2 Seal, Cover Side	R/L 57798FC020	.2 1.90
3 Clip, Cover (5)	57728AC090	.80
4 Grommet, Side	R/L 57750FC030	.40
5 Screw, Bumper/Fender	R/L 57719FC020	1.43
6 Absorber, Impact	57730FC090	IOH 64.95
7 Bar, Reinforcement	57760FC480	IOH 239.95
8 Spacer, Bumper	R/L 57790FC120	9.98
9 Bracket, Bumper	R/L 57790FC030	26.30
10 Plate, Bumper (4)	57761FC000	8.82
11 Beam, Rear	57760FC210	IOH 79.95
	R 57790FC100	IOH 9.95
	L 57790FC110	IOH 9.95
12 Clip, Rear Beam (7)	57728FC110	98
Guard, Brush		
Black	E7710FC200VB	#.5 99.00
Gray	E7710FC200MF	#.5 99.00
<i>#w/Bumper Assy Removed</i>		

GRILLE

Refinish Grille	.7
R&I Grille Assy	#.2
<i>#Included in R&I/R&R or O/H Front Bumper</i>	



043-01114

1 Grille Assy		
<i>1998-00</i>		
Base Model		
Black	91065FC010VF	.3 203.32
White	98 91065FC010WI	.3 203.32
	99-00 91065FC010WG	.3 203.32
L Model		
Black	91065FC010VF	.3 203.32
Green	91065FC010QA	.3 203.32
Red	91065FC010UJ	.3 203.32
Silver	99-00 91065FC010SJ	.3 203.32
White	98 91065FC010WI	.3 203.32
	99-00 91065FC010WG	.3 203.32
S Model		
Black	91065FC030VF	.3 229.98
Green	91065FC030QA	.3 229.98
Red	91065FC030UJ	.3 229.98

Silver	99-00	91065FC030SJ	3	229.98
White	98	91065FC030VI	3	229.98
	99-00	91065FC030WG	3	229.98
2001-02				
Black		91065FC080VF	3	269.95
Blue		91065FC080IT	3	269.95
Gold		91065FC080GH	3	269.95
Green		01 91065FC080QA	3	269.95
		02 91065FC080OI	3	269.95
		91065FC080UV	3	269.95
Red		01 91065FC080SJ	3	269.95
Silver		02 91065FC080TG	3	269.95
		91065FC080WG	3	269.95
White		91053FC000	2	24.95
2 Emblem (Adhesive)†	R/L	91017FA080		2.60
3 Clip, Side Upper†	R/L	91059FC041		1.48
4 Clip, Side Lower†	R/L	91017AA010		3.80
5 Clip, Center Outer†	R/L	91059FC090		1.76
6 Clip, Center Inner†				

†Included w/Grille Assy
Extension Assy, Fender-See Front Fender Section

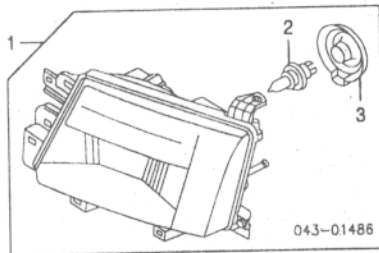
FRONT LAMPS

HEADLAMP

Aim Lamps	4
R&L Lamp AssyR/L	#4

#Includes R&R/Park Lamp, Included In R&R/Park Fender

NOTE: R&R Does Not include aim lamps.



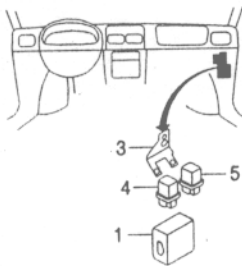
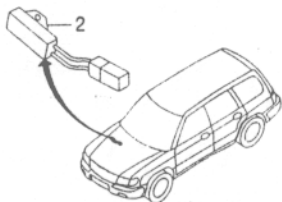
1 Headlamp Assy	98 R	84001FC001	#4	174.95
	L	84001FC011	#4	174.95
	99-00 R	84001FC100	#4	174.95
	L	84001FC110	#4	174.95
	01-02 R	84001FC220	#4	174.95
	L	84001FC230	#4	174.95

#Includes R&R/Park Lamp, Included in R&R/Park Fender

2 Bulb, Headlamp†	R/L	84920AA090	2	19.95
3 Collar, H/Lamp Bulb†	R/L	84962KA010		8.00

†Included w/headlamp Assy

DAYTIME RUNNING LAMP



043-01341

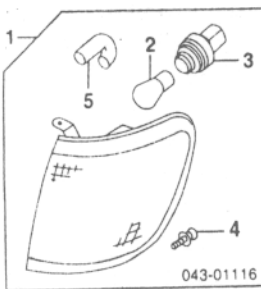
1 Control Unit, DRL	N.A.		4	0.00
2 Resistor, DRL	98 N.A.		4	0.00
	99-02 N.A.		4	0.00
3 Bracket, Relay	98-99 N.A.			0.00
	00-02 N.A.			0.00

Relay, DRL				
4 No. 1	N.A.		3	0.00
5 No. 2	N.A.		3	0.00

PARK/SIGNAL LAMP

R&L Park Lamp AssyR/L	#2
--------------------	----------	----

#Included in R&R/Park Headlamp & Fender



043-01116

1 Lamp Assy, Park	98-00 R	84101FC020	#2	64.95
	L	84101FC030	#2	64.95
	01-02 R	84101FC041	#2	64.95
	L	84101FC051	#2	64.95

#Included in R&R/Park Headlamp & Fender

2 Bulb, Park Lamp†	R/L	84920FC020	#2	1.50
3 Socket, Park Lamp Bulb†	R/L	84930FC010	#2	7.82
4 Pivot, Park Lamp†	R/L	84957FA000	#2	1.98
5 Tube, Park Lamp†	R/L	84975TA020	#2	2.63

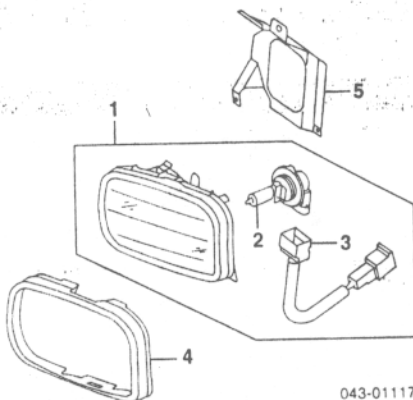
†Included w/Park Lamp Assy

#R&R One Side Complete

FOG LAMP

R&L Fog Lamp AssyR/L	#3
-------------------	----------	----

#Included in R&R or OH Front Bumper



043-01117

1 Lamp Assy, Fog	98-00 R	84501FC082	#3	112.77
	L	84501FC092	#3	114.72
	01-02 R	84501FC181	#3	189.63
	L	84501FC191	#3	189.63

#Included in R&R or OH Front Bumper

2 Bulb, Fog Lamp†	R/L	84920PA010		19.95
3 Socket, Bulb†	98-00 R/L	84985FC000		33.05
	01-02 R/L	84985FC020		29.91

†Included w/Fog Lamp Assy

4 Ring, Retaining	R	84953FC020		22.35
	L	84953FC030		22.35
5 Bracket, Fog Lamp	R	84927FC000		11.75
	L	84927FC010		11.75

HOOD

Use Procedure Explanations 4 and 28 with the following text.

Refinish Hood Outside	2.5
Add for Underside	1.2
Refinish HingeR/L	.3
R&L Hood Assy4

Illustration Located in Next Column

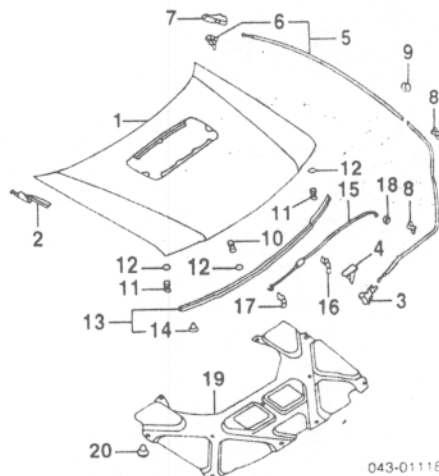
1 Panel, Hood	98-00	57220FC020	1.0	304.58
	01-02	57220FC060	1.0	304.58
2 Hinge, Hood	98-00 R	57260FC000	#3	24.78
	L	57260FC010	#3	24.78
	01-02 R	57260FC020	#3	25.72
	L	57260FC030	#3	25.72

#w/Hood Removed

Cover, Hood Hinge-See Cowl & Dash Section				
3 Latch, Hood		57310SA020	.3	50.07
4 Striker, Hood Latch		57311FC000	.2	11.52
5 Cable Assy, Hood Release		57330FA100ML	.7	23.43
6 Handle, Release†		57340FA100ML		6.55

†Included w/Hood Release Cable Assy

7 Bracket, Handle		57347FC010		5.50
8 Clip, Cable (4)		57371GA070		1.75
9 Protector, Cable		57333FA000		1.30
10 Bumper, Hood Front	R/L	62302TA020		9.80
11 Bumper, Hood Side	R/L	57254AA011		2.33
12 Protector, Bumper (4)		57253AA031		.59



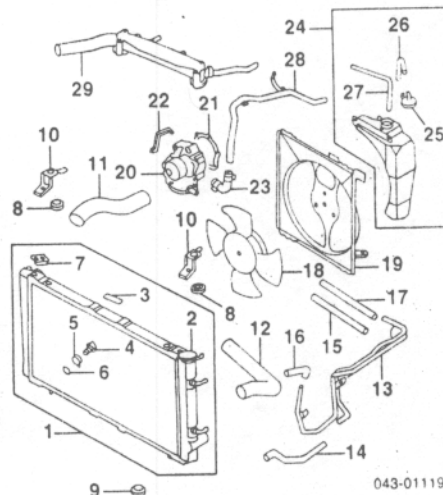
043-01118

13 Seal Assy, Hood Front	98-00	57252FC000	2	38.07
	01-02	57252FC010	2	31.02
		90826FA000		1.16
14 Clip, Hood Seal† (12)				
15 Stay, Hood Support		57251FC000	#2	34.40
16 Holder, Hood Stay		57255FA020	#2	1.24
17 Clamp, Hood Stay		57255AA000	#2	2.80
18 Grommet, Hood Stay		57253AA010	#2	2.80
19 Insulator, Hood		90815FC000	.3	88.12
20 Clip, Insulator (12)	98	90814AA000		2.28
	99-02	909130074		.80

COOLING

Use Procedure Explanations 5 and 28 with the following text.

1998



043-01119

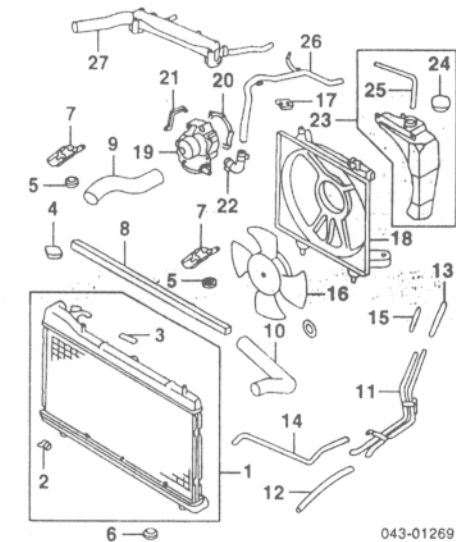
1 Radiator Assy†				
Man Trans				
w/ A/C	45199FC110	.7	348.65	
w/o A/C	45199FC130	.7	d0.00	
Auto Trans				
w/ A/C	45199FC100	.9	391.18	
w/o A/C	45199FC120	.9	d0.00	
2 Cap, Radiator (a)	45113GA022		13.50	
3 Label, Fan Caution (a)	91531AA673		2.12	
4 Plug, Drain (a)	91551AA041		3.10	
5 Guide, Drain (a)	745124051		9.22	
6 Seal, Drain (a)	745124070		6.83	
7 J-Nut, Drain (a) (4)	745128040		2.12	
	45149KA010		.98	
8 Cushion, Rad Upper	R/L	45106AA030		4.78
9 Cushion, Rad Lower	R/L	45106AA020		4.42
10 Bracket, Radiator	R/L	45116FA012		7.75
11 Hose, Rad Upper		45167FC010	#6	13.33
12 Hose, Rad Lower		45169FC010	#6	10.83
13 Pipe, Trans Fluid		45522AC152	.7	51.08
Hose, Trans Fluid Upper				
14 Front		45165FC030	#3	32.07
15 Rear		45521AC070	#3	24.05
Hose, Trans Fluid Lower				
16 Front		45165FC020	#3	24.05

SUBARU FORESTER 1998-02

COOLING Cont'd

1998 Cont'd			
17 Rear	45521AC081	#.3	10.50
<i>#Each Additional Add.1</i>			
18 Fan & Motor, Cooling	45121FA060	#.6	191.95
19 Shroud, Fan	45137FC000	#.6	39.95
<i>#R&R Complete, w/Radiator Removed Deduct .4</i>			
20 Pump, Water	21111AA007	m	3.0 83.95
21 Gasket, Water Pump	21114AA051	m	2.55
22 Seal, Water Pump	21116AA010	m	2.10
23 Hose, By-Pass	807615081	.5	9.95
24 Tank Assy, Coolant	45151FC000	.3	58.08
25 Cap, Tank	45153AA001		4.37
26 Hose, Overflow	45161TA680		2.60
27 Hose, Coolant Tank	45162FC000		10.02
<i>#Included w/Coolant Tank Assy</i>			
28 Pipe, By-Pass		.5	42.20
To 5-98	14065AA000		
From 6-98	14065AA120	.5	17.20
29 Pipe, Coolant	14050AA180	.6	180.65

1999-02

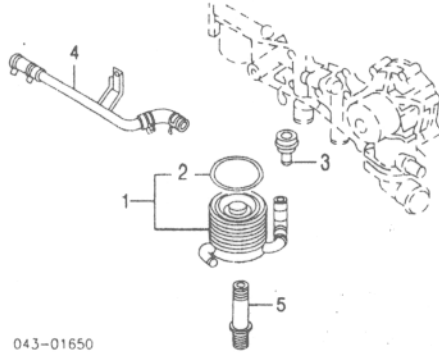


043-01269

1 Radiator Assy			
Man Trans	45199FC350	.7	317.82
Auto Trans	45199FC361	.9	377.55
2 Plug, Drain	745124070		6.83
3 Label, Fan Caution	91531AA673		2.12
Label, Radiator	N.A.		0.00
<i>#Included w/Radiator Assy</i>			
4 Cap, Radiator	45137AE001		13.13
Cushion, Rad Upper	R/L 45106FA000		2.10
Cushion, Rad Lower	R/L 45106AA020		4.42
6 Bracket, Radiator	R/L 45116FC050		7.78
8 Seal, Radiator	73772FA000		2.73
9 Hose, Rad Upper	X4511FC030	#.6	13.33
10 Hose, Rad Lower	X4511FC060	#.6	13.33
<i>#R&R Both .8</i>			
11 Pipe, Trans Fluid			
1999			
To 1-99	45156FA001	.7	41.30
From 2-99	45156FA050	.7	44.55
2000-02	45156FA050	.7	44.55
12 Hose, Trans Fluid Otr Frt	45165FC060	#.3	15.77
13 Hose, Trans Fluid Otr Rear	45165FA000	#.3	8.52
14 Hose, Trans Fluid Inr Frt	45165FC070	#.3	45.83
15 Hose, Trans Fluid Inr Rear	45165FA050	#.3	10.25
<i>#Each Additional Add.1</i>			
16 Blade w/Motor	45121FC050	#.6	182.25
17 J-Nut, Drain (3)	45149KA010	#	.98
18 Shroud, Fan	45137FC050	#.6	40.75
<i>#R&R Complete, w/Radiator Removed .4</i>			
19 Pump, Water	21111AA007	m	3.0 83.95
20 Gasket, Water Pump	21114AA051	m	2.55
21 Seal, Water Pump	21116AA010	m	2.10
22 Hose, By-Pass	807615081	.5	9.95
23 Tank Assy, Coolant	45151FA050	.3	47.38
24 Cap, Tank	45153AA001		4.37
25 Hose, Coolant Tank	45162FA001		13.80
<i>#Included w/Coolant Tank Assy</i>			
26 Pipe, By-Pass		.5	17.20
1999			
To 10-98	14065AA120	.5	16.50
From 10-98	14065AA121	.5	16.50
2000-02	14065AA121	.5	16.50
27 Pipe, Coolant	99 14050AA180	.6	180.65
	00-02 14050AA300	.6	147.29

ENGINE OIL COOLER

AUTO TRANS



043-01650

1 Cooler Assy, Oil	21311AA010	m	1.0	249.95
2 Gasket, Oil Cooler	21370KA001	m		5.02
<i>#Included w/Oil Cooler Assy</i>				
3 Adapter, Oil Cooler	21369AA040	m		29.95
4 Pipe, Oil Cooler	21328AA041	m	.7	16.50
5 Connector, Oil Cooler	21317AA021	m		42.12

A/C REFRIGERANT CAPACITIES

A/C R-134a Refrigerant Capacity
1998-02: 19-21 Ozs (1.21-1.31 Lbs)

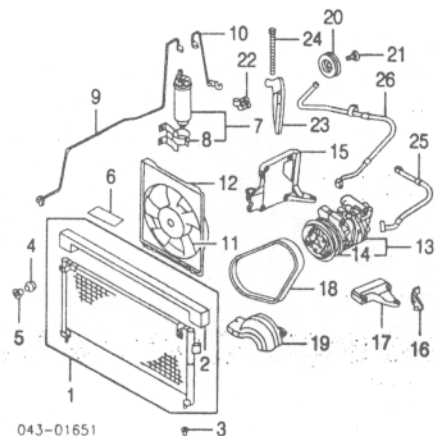
A/C /HEATER/VENTILATION

Use Procedure Explanation 6 with the following text.

AIR CONDITIONING 1998-00

Evacuate & Recharge System	m	1.4
Recover Refrigerant	m	.3

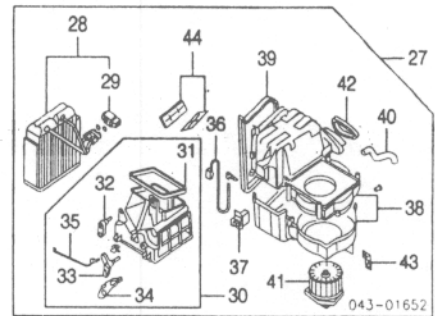
NOTE: R&R/R Does Not include recover, evacuate and recharge system.



043-01651

1 Condenser Assy	73210FC030	m	#.6	299.95
<i>#w/Radiator Removed Deduct .4</i>				
2 Seal, Condenser	73772FC120			5.72
<i>#Included w/Condenser Assy</i>				
3 Cushion, Condenser	R/L 73022AA040			1.10
4 Grommet, Condenser	R/L 73065AA090			2.48
5 Spacer, Grommet	R/L 73095AA010			2.72
6 Label, A/C-See Information Labels Section				
7 Receiver/Drier Assy	73410FA131	m	.5	125.93
8 Brkt, Receiver/Drier	73050FA000			29.95
<i>#Included w/Receiver/Drier Assy</i>				
9 Pipe, Condenser	98 73431FC020	m	.5	49.95
	99-00 73431FC021	m	.5	73.53
10 Pipe, Evaporator	73431FA160	m	.3	49.95
11 Fan & Motor Set	98 73340FA060	#.6		209.02
	99-00 73310FA050	#.6		0.00
12 Shroud, Fan	98 73313FC000	#.6		66.65
	99-00 73313FC050	#.6		66.65
<i>#R&R Complete, w/Radiator Removed Deduct .4</i>				
13 Compressor Assy	73111FA133	m	.9	489.96
14 Clutch, Compressor	73115FA130	m	#1.5	235.27
<i>#Included w/Compressor Assy</i>				
<i>#Includes R&R Compressor Assy</i>				
15 Brkt, Compressor Side	73631FA110			150.73
16 Brkt, Compressor Up	73137FE020			8.97
17 Brkt, Comp Lwr	73632FA111			53.80

18 Belt, Compressor	73323AC000	.5	9.9
19 Cover, Belt	73770AC010	#.2	21.4
<i>#Included in R&R Alternator Assy</i>			
20 Pulley, Idler	73131FC000	m	#.6 32.6
21 Shaft, Pulley	73132AC000	m	#.6 8.8
22 Adjuster, Pulley	73134AC001	m	#.6 6.5
<i>#R&R Complete</i>			
23 Bracket, Pulley	73610AC000		21.5
24 Bolt, Flange	73790AC100		2.4
25 Hose, Pressure	73421FC010	m	#.5 168.2
26 Hose, Suction	73422FC010	m	#.5 218.1
<i>#R&R Both .8</i>			



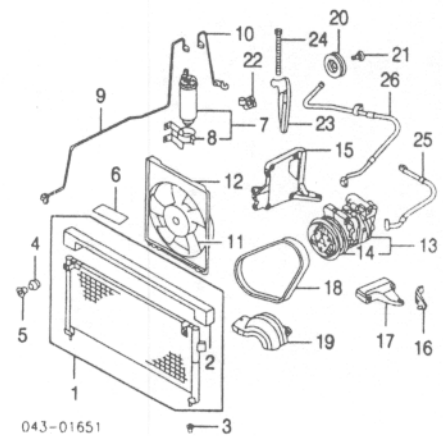
043-01652

27 Evaporator & Blower Assy				
w/AC	72210FC053	m	1.0	499.96
w/o AC	72210FC150	m	1.0	469.96
28 Evaporator Assy	73523FC014	m	1.5	375.77
29 Valve, Expansion	73531FC012	m	1.5	105.88
<i>(a) Included w/Evaporator Assy</i>				
30 Case Assy, Intake	72212FA002	m		92.00
31 Gasket, Cover	98-00 72226FA021	m		4.98
32 Lever	72214FA050	m		4.32
33 Lever, Intake	72214FA040	m		4.32
34 Link, Shutter Box	72215FA020	m		14.33
35 Rod, Intake	72216FA060	m		3.17
<i>(a) Included w/Intake Case Assy</i>				
36 Thermostat				
w/AC	73540FC021	m		90.35
w/o AC	73540FA000	m		98.73
37 Resistor	72024AA000	m	.8	49.95
38 Case, Cooling				
w/AC	72211FC030	m	1.5	88.12
w/o AC	72211FC060	m	1.5	89.86
39 Gasket	72262FA010	m		3.70
40 Hose, Drain	73441FA000	m		9.00
41 Motor, Blower	72240FA020	m	.9	179.95
42 Seal	72262FA020	m		3.40
43 Bracket	72221FA000			4.98
44 Shutter, Blower	72212FA002			92.00
<i>#Included w/Evaporator & Blower Assy</i>				

AIR CONDITIONING 2001-02

Evacuate & Recharge System	m	1.4
Recover Refrigerant	m	.3

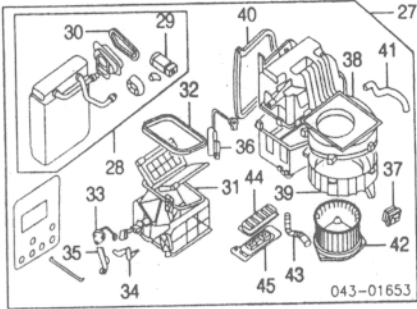
NOTE: R&R/R Does Not include recover, evacuate and recharge system.



043-01651

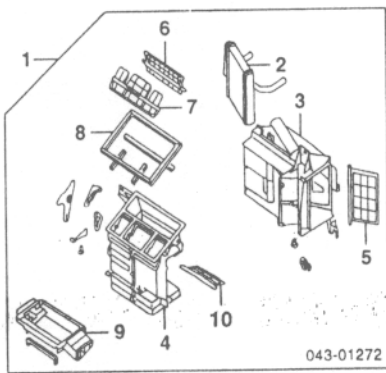
1 Condenser Assy	73210FC050	m	#.6	299.95
<i>#w/Radiator Removed Deduct .4</i>				
2 Seal, Condenser	73772FC120			5.72
<i>#Included w/Condenser Assy</i>				
3 Cushion, Condenser	R/L 73022AA040			1.10
4 Grommet, Condenser	R/L 73065AA090			2.48
5 Spacer, Grommet	R/L 73095AA010			2.72
6 Label, A/C-See Information Labels Section				
7 Receiver/Drier Assy	73410FC010	m	.5	124.42
8 Brkt, Receiver/Drier	N.A.			0.00
<i>#Included w/Receiver/Drier Assy</i>				

9 Pipe, Condenser	73431FC050	m	.5	73.53
10 Pipe, Evaporator	73431FC060	m	.3	32.67
11 Fan & Motor Set	73310FC050	#6		209.02
12 Shroud, Fan	73313FC050	#6		66.65
#R&R Complete, w/Radiator Removed Deduct .4				
13 Compressor Assy	73111AE021	m	.9	499.96
14 Clutch, Compressor	73121AE010	m	#1.5	217.32
#Included w/Compressor Assy				
#Includes R&R Compressor Assy				
15 Brkt, Compressor Side	73611AC101			149.23
16 Brkt, Compressor Uptr	73630FA050			6.62
17 Brkt, Comp Lwr	73611AC110			150.73
18 Belt, Compressor	73323AC000		.5	9.95
19 Cover, Belt	73770AC010		#2	21.40
#Included in R&R Alternator Assy				
20 Pulley, Idler	73131FC000	m	#6	32.67
21 Shaft, Pulley	73132AC000	m	#6	8.82
22 Adjuster, Pulley	73134AC001	m	#6	6.54
#R&R Complete				
23 Bracket, Pulley	73610AC000			21.50
24 Bolt, Flange	73790AC100			2.40
25 Hose, Pressure	73421FC000	m	#5	161.24
26 Hose, Suction	73422FC010	m	#5	218.15
#R&R Both .8				



27 Evaporator & Blower Assy	72210FC150	m	1.0	469.96
28 Evaporator Assy	73520FC010	m	1.5	399.95
29 Valve, Expansion (a)	73531AE010	m	1.5	54.95
30 Gasket (a)	72218AE070	m		1.87
(a) Included w/Evaporator Assy				
31 Case, Intake	72211FC080	m		13.08
32 Gasket, Cover	72226FC000			4.28
33 Lever	72214FC060	m		3.25
34 Lever, Intake	72214FA050	m		4.32
35 Lever	72214FC040	m		3.25
36 Thermostat	73522AE000	m		41.97
37 Resistor	72024FC000	m		31.02
38 Case, Upper	72211FC060	m	1.5	89.86
39 Case, Lower	72211FC070	m		89.86
40 Gasket	73543FC030	m		4.90
41 Hose, Drain	73441FC000	m		8.19
42 Motor, Blower	72240FC010	m	.9	249.95
43 Hose, Blower	72225FC000	m		24.95
44 Cover, Upper	72223FC050	m		15.51
45 Cover, Lower	72223FC040	m		15.51
#Included w/Evaporator & Blower Assy				

HEATER



1 Heater Assy				
1998				
w/Rear Heater	72110FC040	m	#2.7	413.59
w/o Rear Heater	72110FC050	m	#2.7	413.59
1999-02	72110FC040	m	#2.7	413.59
2 Core, Heater	72130FA021	m	#3.1	249.95
#Includes R&I Instrument Panel				
3 Case, Heater Upper	72120FA071	m		123.38
4 Case, Heater Lower	72120FA060	m		135.10
5 Door, Mix	72127FA130	m		23.13
6 Door, Defroster	72127FA111	m		21.10
7 Door, Vent	72127FA100	m		23.13
8 Gasket, Heater	72670FA031	m		4.42
9 Duct, Foot				
1998				
w/Rear Heater	72128FA070	m		53.70

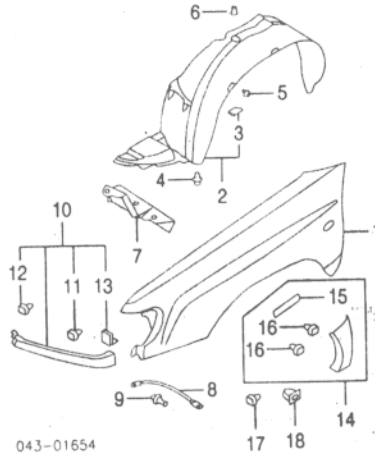
w/o Rear Heater	72128FA090	m		44.97
1999-02	72128FA070	m		53.70
10 Door, Foot	72127FA120	m		23.13
#Included w/Heater Assy				

FRONT FENDER

Use Procedure Explanations 7 and 28 with the following text.

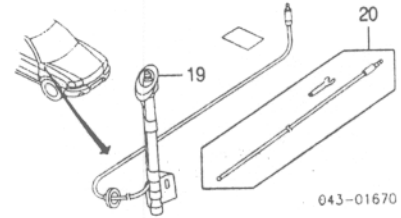
SHEET METAL/EXTERIOR TRIM

Refinish Fender Outside	R/L	1.9
Add to Edge	R/L	.5
Refinish Fender Extension	R/L	.5
Refinish Side Moulding	R/L	.3
R&I Fender Assy	R	#3.1
	L	#2.9
#Includes R&I Front Bumper, R&I/R&R H/Lamp Assy, Parklamp Assy, Fender Extension, Fender Liner & Front Undercover, Right Side Includes R&I Antenna, R&I Both Sides 4.5		
R&I Mudguard	R/L	.2
R&I Side Moulding	R/L	.2
R&I Antenna		#.6
#Includes R&I Fender Liner		



1 Fender				
1998	R 57120FC060		#3.4	169.95
	L 57120FC070		#3.2	169.95
1999-00				
Base, L Model	R 57120FC060		#3.4	169.95
	L 57120FC070		#3.2	169.95
S Model	R 57120FC080		#3.4	169.95
	L 57120FC070		#3.2	169.95
2001-02	R 57120FC080		#3.4	169.95
	L 57120FC070		#3.2	169.95
#Includes R&I Front Bumper, R&I/R&R H/Lamp Assy, Parklamp Assy, Fender Extension, Fender Liner & Front Undercover, Right Side Includes R&I Antenna, R&I Both Sides 5.1				
2 Liner Assy, Fender	R 59110FC001		.4	47.80
	L 59110FC011		.4	47.80
3 Clip, Liner	R/L 759114020			.92
#Included w/Fender Liner Assy				
4 Clip, Liner Side	R/L 57728AC090			.80
5 Rivet, Liner	R/L 59122AC030			1.30
6 Grommet, Liner	R/L 59131AA000			1.70
7 Plate, Fender Liner	R 59123FC000			6.55
	L 59123FC010			6.55
8 Stay, Fender	R 57130FC010			8.95
	L 57130FC020			8.95
9 Clip, Fender Stay	R/L 57160AA000			1.93
10 Extension Assy, Fender				
Black	R 57112FC000VF		.2	75.95
	L 57112FC010VF		.2	75.95
Blue	R 57112FC000IT		.2	91.14
	L 57112FC010IT		.2	91.14
Gold	01-02 R 57112FC000GH		.2	91.14
	L 57112FC010GH		.2	91.14
Green	00-01 R 57112FC000QA		.2	75.95
	L 57112FC010QA		.2	75.95
	02 R 57112FC000CI		.2	75.95
	L 57112FC010CI		.2	75.95
Red	98-00 R 57112FC000LJ		.2	75.95
	L 57112FC010LJ		.2	75.95
	01-02 R 57112FC000UV		.2	91.14
	L 57112FC010UV		.2	91.14
Silver	99-01 R 57112FC000SJ		.2	75.95
	L 57112FC010SJ		.2	75.95
	02 R 57112FC000TG		.2	75.95
	L 57112FC010TG		.2	75.95
White	98 R 57112FC000WI		.2	75.95
	L 57112FC010WI		.2	75.95
	99-02 R 57112FC000WG		.2	75.95
	L 57112FC010WG		.2	75.95
Paint to Match	R 57112FC040		.2	54.03
	L 57112FC050		.2	54.03
11 Clip, Extension Outer				
No. 1	R 57160FC000			1.08
	L 57160FC020			1.08
No. 2 (3/Side)	R/L 57160FC000			1.08
13 Clip, Ext Inner (3/Side)	R/L 57160FC020			1.08

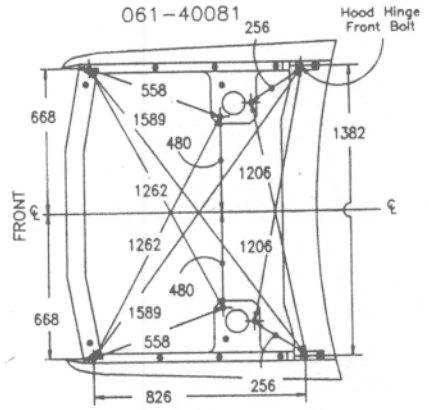
#Included w/Fender Extension Assy				
14 Moulding Assy, Fender Side				
1998-00				
Base, L Model	R 91057FC001		.2	29.85
	L 91057FC011		.2	29.85
S Model	R 91057FC201		.2	29.85
	L 91057FC211		.2	29.85
2001-02				
L Model	R 91057FC320		.2	27.77
	L 91057FC330		.2	27.77
S Model	R 91057FC480		.2	27.77
	L 91057FC490		.2	27.77
	R/L 91088FC000			6.43
15 Pad, Moulding				
16 Clip, Moulding				
No. 1	R/L 91059FC060			.80
No. 2 (2/Side)	R/L 91059FC030			.80
#Included w/Fender Side Moulding Assy				
17 Rivet, Moulding	R/L 91059FC010			1.72
18 Grommet, Screw (5/Side)	R/L 96056FA010			1.70
Mudguard Assy	J1010FC000		.8	35.38
Mudguard, Front	R/L J1017FC031-2		.2	42.00
#Included w/Mudguard Assy				
Bracket Kit, Mudguard	J1010FC130			14.90



19 Antenna, Radio	86321FC020	#.2	89.95
#w/Fender Liner Removed			
20 Rod, Antenna	86322FC000		29.95

UNDERHOOD DIMENSIONS

1998-01



2002

Information not available at time of publication.

FRONT INNER STRUCTURE

Use Procedure Explanations 8 and 28 with the following text.

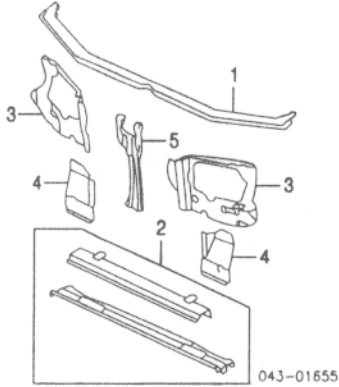
FRONT

Refinish Radiator Support Complete	1.5
Refinish Upper Tie Bar	.5
Refinish Lower Tie Bar	.5
Refinish Side Panel	R/L .5
Refinish Side Panel Extension	R/L .5
R&R Radiator Support Complete	#7.2
#Includes R&I Grille, R&I/R&R H/Lamps, Parklamps, Hood Latch, Latch Support, Battery, Hood Support Stay; Horns, Coolant Tank, Air Duct, Radiator, Fan and Shroud as an Assy & Disconnect & Connect Hood Release Cable, Wiring &/or Harness	
Add to R&R Radiator Support Assy	
w/ A/C	m #2
#Includes R&I/R&R A/C Condenser	
To Air Lamps	.4
Evacuate & Recharge System	m 1.4
Recover Refrigerant	m .3

SUBARU FORESTER 1998-02

FRONT INNER STRUCTURE Cont'd

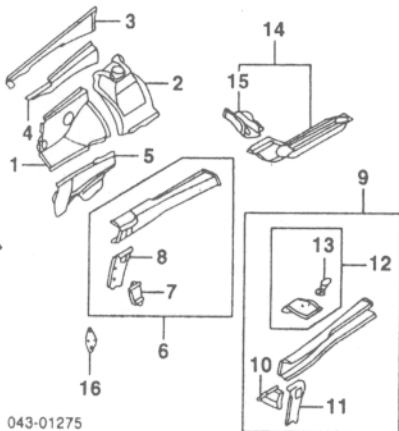
FRONT Cont'd



1 Bar, Upper Tie	53060FC000	s	#1.5	69.95
2 Bar, Lower Tie	53061FC000	s	#2.0	86.08
<i>#Deduct .5 for Each Side Panel Removed</i>				
3 Panel, Side Support	R 53020FC001	s	1.5	49.95
	L 53020FC011	s	1.5	49.95
4 Ext, Side Supt Panel	R 53030FC000	s	1.0	49.95
	L 53030FC010	s	1.0	49.95
5 Support, Hood Latch	53040FC001	s	.3	24.52

SIDE

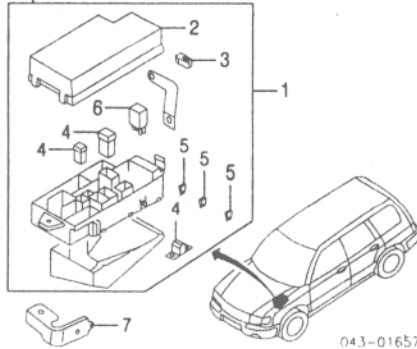
Refinish Apron/Side Rail Assy	R/L	2.0
Refinish Front Apron	R/L	.5
Refinish Rear Apron	R/L	.5
Refinish Apron Upr Otr Reinf	R/L	.5
Refinish Front Rail Assy	R/L	.5
Refinish Rear Rail	R/L	.5



1 Apron, Front	98-99 R 51610FC001	s	4.5	150.58
	L 51610FC010	s	4.5	99.98
	00-02 R 51610FC021	s	4.5	149.95
	L 51610FC010	s	4.5	99.98
2 Apron, Rear	R 51625FC041	s	#3.0	144.65
	L 51625FC411	s	#3.0	144.65
<i>#w/Front Apron Removed</i>				
3 Reinf, Apron Upper Otr	R 51021FC040	s	#1.5	49.95
	L 51021FC050	s	#1.5	49.95
4 Reinf, Apron Upper Inr	R 51610FC100	s	#1.5	59.98
	L 51610FC110	s	#1.5	59.98
<i>#R&R One Side Complete</i>				
5 Plate, Closing	R 51615FC001	s	1.5	100.37
	L 51615FC011	s	1.5	100.37
6 Rail Assy, Right Front	98 51620FC300	s	#6.0	00.00
	99-02 51620FC301	s	#6.0	191.28
<i>#w/Side Panel Removed Deduct .5, w/Front Apron Removed Deduct 3.0</i>				
7 Reinf, Right Rail	51630FC000	s		19.95
8 Reinf, Tie-Down Hook	51630FC301	s		51.60
<i>#Included w/Right Front Rail Assy</i>				
9 Rail Assy, Left Front	51620FC312	s	#6.0	158.42
<i>#w/Side Panel Removed Deduct .5, w/Front Apron Removed Deduct 3.0</i>				
10 Reinf, Left Frame	51630FC010	s		19.95
11 Reinf, Tie-Down Hook	98 51630FC310	s		51.60
	99-02 51630FC311	s		69.55
12 Bracket Assy, Battery Tray	51625FC000	s		30.95
13 Brkt, Washer Tank	51234AA110	s		7.45
<i>#Included w/Left Front Rail Assy</i>				
14 Rail Assy, Rear	R 51620FC401	s	5.0	189.95

15 Reinf, Rail	L 51620FC411	s	5.0	189.95
	R 51630FC500	s		39.95
	L 51630FC510	s		39.95
<i>#Included w/Rear Rail Assy</i>				
16 Hook, Tie-Down	R/L 57801FC000	s		13.63

ELECTRICAL COMPONENTS



1 Box Assy, Fuse	82231FC002	m		150.58
2 Cover, Fuse Box	82243FC002	m	.1	6.35
3 Catcher, Fuse	82233FC000	m		2.02
4 Fuse, Main				
30 Amp (2)	82211FC030	m	.1	1.82
50 Amp (3)	82211FC050	m	.1	1.82
80 Amp	82211FC080	m	.1	3.07
5 Fuse, Secondary				
10 Amp (6)	82210FC010	m		1.40
15 Amp (15)	82210FC015	m		1.40
20 Amp (8)	82210FC020	m		1.40
6 Relay	82501FC000	m	.2	39.20
<i>#Included w/Fuse Box Assy</i>				
7 Bracket, Fuse Box	81042AA020	s		3.98

AIR BAG SYSTEM

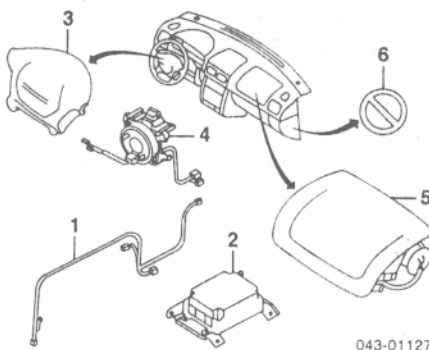
NOTE 1: R&R Does Not include disable and enable or diagnose Air Bag System.

NOTE 2: Refer to Procedural Explanation 30 for Supplemental Restraint/Air Bag System Component Inspection and Replacement Information.

NOTE 3: For Air Bag System Service procedures, refer to Manufacturer's Service Repair Manual or Mitchell's Air Bag Service and Repair Manual.

1998

Disable & Enable Air Bag System	m	.3
Diagnose Air Bag System	m	#.5
<i>#Includes Disconnect & Connect Scan Tool & Retrieve/Clear Trouble Codes</i>		



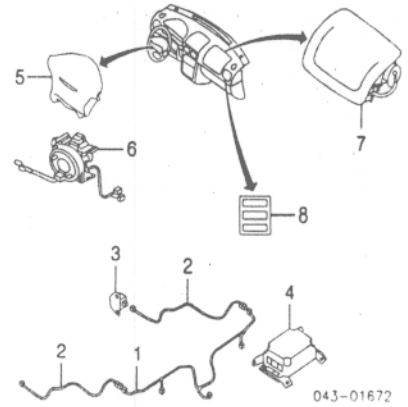
1 Harness, Air Bag Wiring	98241FC000	m		189.95
2 Module, Air Bag Control	98221FC000	m	.6	699.99
3 Module, Driver Air Bag				
To 8-97	98211FC030ML	m	.3	667.08
From 9-97	98211FC060ML	m	.3	667.08
4 Clockspring				
<i>#See Steering Wheel/Column Section</i>				
<i>#Serviced w/Combination Switch Assy</i>				
5 Module, Passenger Air Bag				
Brown				
To 8-97	98271FC001DC	m	.9	904.95
From 8-97	98271FC002DC	m	.9	952.96
Gray				
To 8-97	98271FC002OE	m	.9	952.96
From 8-97	98271FC002OE	m	.9	952.96
6 Label, Air Bag				
<i>#See Information Labels Section</i>				

FRONT

1999-02

Disable & Enable Air Bag System	m	.3
Diagnose Air Bag System	m	#.5

#Includes Disconnect & Connect Scan Tool & Retrieve/Clear Trouble Codes

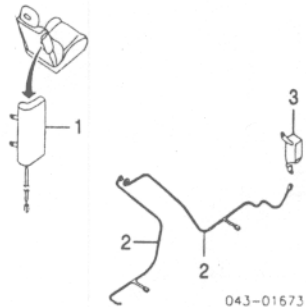


1 Harness, Air Bag Wiring Main	99-00 98241FC200	m		195.75
	01-02 98241FC400	m		182.25
2 Harness, Frt Air Bag Wiring	R 98234FC010	m		79.22
	L 98234FC000	m		84.20
3 Sensor, Front Impact	R 98231FC000	m	1.6	99.98
	L 98231FC010	m	1.6	99.98
4 Module, Air Bag Control				
w/Side Air Bags	99-00 98221FC110	m	.6	699.99
	01-02 98221FC160	m	.6	699.99
w/o Side Air Bags	99-00 98221FC100	m	.6	699.99
	01-02 98221FC150	m	.6	699.99
5 Module, Driver Air Bag	99-01 98211FC140ML	m	.3	6714.27
	02 98211FC110ML	m	.3	667.08
6 Clockspring				
<i>#See Steering Wheel/Column Section</i>				
<i>#Serviced w/Combination Switch Assy</i>				
7 Module, Passenger Air Bag				
Brown	99-01 98271FC002DC	m	.9	952.96
	02 98271FC060DC	m	.9	952.96
Gray	99-01 98271FC002OE	m	.9	952.96
	02 98271FC060OE	m	.9	952.96
8 Label, Air Bag				
<i>#See Information Labels Section</i>				

SIDE

1999-02

Disable & Enable Air Bag System	m	.3
Diagnose Air Bag System	m	#.5
<i>#Includes Disconnect & Connect Scan Tool & Retrieve/Clear Trouble Codes</i>		



1 Module, Side Air Bag	R 98201FC020	m	#.8	570.89
	L 98201FC030	m	#.8	570.89
<i>#w/Front Seat Assy Removed</i>				
2 Harness, Side Air Bag Wiring	R 98241FC110	m		180.88
	L 98241FC100	m		180.88
3 Sensor, Side Air Bag	R 98235FC040	m	#.7	504.71
	L 98235FC050	m	#.7	504.71
<i>#w/Front Seat Assy Removed</i>				

ABS/BRAKES

Bleed System				
w/ABS	m	.6		
w/o ABS	m	.3		

NOTE: R&R Does Not include bleed brake system.

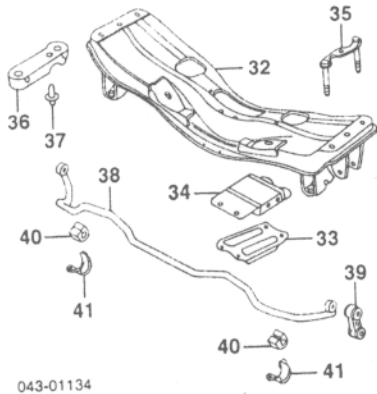
Illustration Located in Next Column

1 Actuator Assy, ABS				
Man Trans	98 27539AC04A	m	1.0	788.32
	99-02 27539FC010	m	1.0	759.95
Auto Trans	98 27539AC05A	m	1.0	788.32
	99-02 27539FC000	m	1.0	759.95
2 Damper, Actuator	(3) 27532AC020	m		13.35
3 Bolt, Stud	(2)			

SUBARU FORESTER 1998-02

FRONT SUSPENSION Cont'd

26	Bushing, Inner	98-00 R/L 20201AA000 01-02 R/L 20201FC020	m #2	39.07
			m #2	18.52
27	Joint, Ball	R/L 21067GA050 #R&R Both Sides 1.6, Not Included in O/H	m #9	36.98
28	Bushing, Arm	98-00 R 20201AC100 L 20201AC110 01-02 R 20201FC100 L 20201FC110	m #3 m #3 m #3 m #3	106.67 106.67 81.68 81.68
29	Stopper, Outer	R/L 20202AA010	m #3	3.12
30	Stopper, Inner	R/L 20202AA000	m #3	3.12
31	Washer, Arm	R/L 20206AA000	m #3	4.95
	#R&R One Side Complete w/Arm Assy Removed, Not Included in O/H			

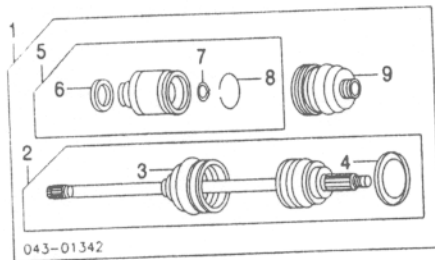


043-01134

32	Crossmember, Susp	20100FA004	m #5.8	348.32
	#Includes R&R Lower Control Arms, Stabilizer Bar, Front Exhaust Pipe, Steering Gear Assy & Engine Mounts, Not Included in O/H			
33	Plate, Jack	20510AC000 Man Trans Auto Trans	m m	13.28 9.95
34	Damper, Dynamic	20510AC100 Man Trans	m	56.07 13.95
35	U-Bolt	R/L 20540AC000	m	40.87
36	Adapter, Crossmember	98-01 R/L 20570AC040 02 R/L 20570AC040	m m	40.87 80
37	Clip, Adapter	R/L 57728AC090	m	149.95
38	Bar, Stabilizer	20410AA050	m #5	51.70
	#Includes R&R Links, Bushings & Brackets, Not Included in O/H			
39	Link, Stabilizer	R/L 20420AA004	m #3	4.82
40	Bushing, Stabilizer	R/L 20401FA021	m #3	3.28
41	Bracket, Stabilizer	R/L 21050GA173	m #3	3.28
	#R&R One Side Complete, Included in R&R Stabilizer Bar, Not Included in O/H			

FRONT DRIVE AXLE

R/L Axle Shaft Assy (One Side)	R/Lm #7
O/H Axle Shaft Assy (Includes R&L)	R/Lm #1.1
#w/Knuckle Removed Deduct .5	



043-01342

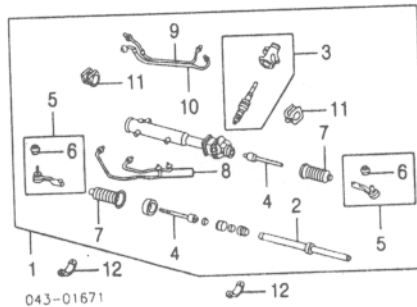
1	Shaft Assy, Axle			
	1998			
	To 6-97	R/L SOA925H600R1	m #7	R139.95
	Man Trans	R/L 28021AC171	m #7	d309.95
	Auto Trans	R/L 28021AC171	m #7	d309.95
	From 7-97 to 4-98	R/L 28021AC281	m #7	359.95
	From 5-98	R/L 28021AC281	m #7	359.95
	1999-00	R/L 28021AC281	m #7	359.95
	2001	R/L 28321AE07A	m #7	359.95
	2002			
	To 10-01	R/L 28321AE07A	m #7	359.95
	From 11-01	R/L 28321FE041	m #7	359.95
	#w/Knuckle Removed Deduct .5			
2	Joint Assy, Outer			
	1998			
	To 6-97	R/L 28091AC050	m #1.1	239.95
	Man Trans	R/L 28091AC080	m #1.1	239.95
	Auto Trans	R/L 28091AC091	m #1.1	239.95
	From 7-97	R/L 28091AC091	m #1.1	239.95
	1999-00	R/L 28091AC120	m #1.1	249.95
	2001			

2002	To 10-01	R/L 28091AC120	m #1.1	249.95
	From 11-01	R/L 28391FE040	m #1.1	239.95
3	Boot, Outer Joint			
	1998			
	To 6-97	R/L 28023AA002	m #1.1	12.65
	From 7-97	R/L 28023AC060	m #1.1	12.65
	1999-01	R/L 28023AC060	m #1.1	12.65
	2002			
	To 10-01	R/L 28023AC060	m #1.1	12.65
	From 11-01	R/L 28323FE001	m #1.1	16.95
4	Baffle, Outer	99-00 R/L 28037AA012 01-02 R/L 28037AC001	m #1.1 m #1.1	6.95 9.95
	(a) Included w/Outer Joint Assy			
5	Joint Assy, Inner			
	1998			
	To 6-97	R/L 28092AC020	m #1.1	171.70
	Man Trans	R/L 28093AC021	m #1.1	171.70
	Auto Trans	R/L 28093AC021	m #1.1	171.70
	From 7-97 to 4-98	R/L 28093AC030	m #1.1	171.70
	From 5-98	R/L 28093AC030	m #1.1	171.70
	1999-00	R/L 28093AC030	m #1.1	164.95
	2001-02	R/L 28093AC040	m #1.1	5.07
	2001-02	R/L 28093AC040	m #1.1	5.07
6	Baffle, Inner			
	(a)	R/L 623205190	m #1.1	2.63
	(b)	R/L 28035TA040	m #1.1	8.85
7	Ring, Snap			
	Man Trans	R/L 623206120	m #1.1	4.68
8	Circclip			
	(a)	R/L 28033AC000	m #1.1	3.05
	(b)			
	(a) Included w/Inner Joint Assy			
	(b) Order by Application			
9	Boot, Inner			
	1999-01	R/L 28023AA011	m #1.1	9.65
	2002	R/L 28023AA011	m #1.1	9.65
	To 10-01	R/L 28023AA011	m #1.1	13.25
	From 11-01	R/L 28423FE000	m #1.1	13.25
	#Included w/Axle Shaft Assy			
	#R&R One Side Complete, w/Knuckle Removed Deduct .5			

FRONT STEERING LINKAGE/GEAR

R/L Steering Gear	m 2.4
O/H Steering Gear (Includes R&L)	m 3.6

NOTE 1: R/L/R&R or O/H Does Not include adjust wheel alignment.
NOTE 2: All Parts in this section are included in overhaul unless noted otherwise.



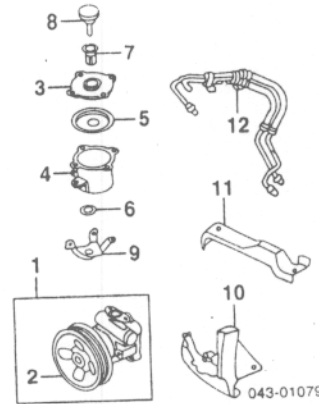
043-01671

1	Gear Assy	34110FC010	m	2.4	644.96
2	Rack	34116FC011	m		180.92
3	Valve, Power	34113FC010	m		367.00
4	Rod, Inner Tie	R/L 34140FC000	m	.5	49.95
5	End Assy, Tie Rod	R/L 34141AA042	m #3		44.93
6	Seal, Dust	R/L 73133S000	m #3		4.25
	(a) Included w/Tie Rod End Assy				
7	Boot	R/L 34135FC000	m	#3	22.60
	#R&R One Side Complete				
8	Tube, Feed	R 34153FC000 L 34153FC010	m		10.63 13.40
9	Pipe, Return	34153AA020	m		14.95
10	Pipe, Pressure	34153AA041	m		59.95
11	Bushing, Mount	R 34115AA030 L 34115AA020	m		11.38 14.18
	#Included w/Gear Assy				
12	Bracket, Bushing	R 34120AA010 L 34120AA000	m		4.20 4.20

STEERING PUMP

Illustration Located in Next Column

1	Pump Assy, Steering	98 34411FC032 99-01 34411FC022 02 34411FC023 34414AC000	m	1.1	359.99 359.99 359.99 82.15
2	Pulley, Pump				
	#Included w/Steering Pump Assy				
3	Reservoir, Upper Fluid	34441AC030	m		49.95
4	Reservoir, Lower Fluid	34441FC000	m	.5	44.06
5	Seal, Reservoir	34425AC030	m		7.25
6	O-Ring	98 31266GA020 99-02 34427AC000	m	#5	1.50 .64
	#Included in R&R Lower Fluid Reservoir				
7	Strainer, Reservoir	34417AC000	m		7.98
8	Cap, Reservoir	34438AC040	m		29.95

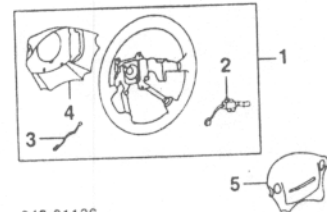


9	Bracket, Reservoir-Not Serviced	34421FC001	m		58.88
10	Bracket, Pump	34423AA014	m		12.95
11	Cover, Belt	98 34610FC020 99-02 34610FC110	m	.6	275.12 240.93
12	Hose, Power Steering		m	.6	240.93

STEERING WHEEL/COLUMN

R/L Steering Column	m 1.0
O/H Steering Column (Includes R&L)	m 1.9

NOTE: All Parts in this section are included in overhaul unless noted otherwise.



043-01136

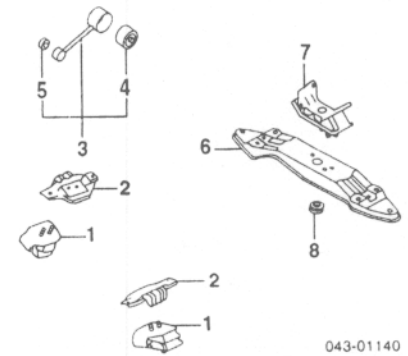
1	Wheel Assy, Steering				
	Base Model	34311AC421ML	m	.5	312.65
	L Model	34311AC421ML	m	.5	312.65
	1998-99				
	w/Cruise Control	34311AC411ML	m	.5	378.43
	w/o Cruise Control	34311AC421ML	m	.5	312.66
	2002				
	w/Cruise Control	34311FC030	m	.5	305.07
	w/o Cruise Control	34311FC050	m	.5	347.7
	98-00	34311AC411ML	m	.5	378.4
	01	34311AC370ML	m	.5	599.8
	02	34311FC040	m	.5	464.8
	03	83151AC020	m	.5	44.9
	04	34335FA000	m		8.1
2	Switch, Cruiser				
3	Cord, Adapter				
4	Cover, Lower				
	Base Model	34317FA040ML	m	#7	16.6
	L Model				
	w/Cruise Control	00-01 34317FA030ML 02 34317FE030	m	#7	16.6 14.3
	w/o Cruise Control	98-01 34317FA040ML 02 34317FE020	m	#7	16.6 14.3
	S Model	98-01 34317FA030ML 02 34317FE030	m	#7	16.6 14.3
	#Included w/Steering Wheel Assy				
	#Includes R&R Steering Wheel				
5	Module, Driver Air Bag-See Air Bag System Section				

Illustration Located in Next Column

6	Cover, Column	34340FC000ML	m	.5	34.
7	Switch, Ignition				
	Man Trans	83121FC061	m	.7	126.
	Auto Trans	83121FC071	m	.7	169.
8	Switch Assy, Combination				
	1998-00	83111FC040	m	1.1	369.
	2001				
	L Model	83111FC040	m	1.1	369.
	S Model	83111FC500	m	1.1	395.
	2002				
	L Model	83111FC530	m	1.1	395.
	S Model	83111FC520	m	1.1	395.
	2002	83118FC030	m	#1.1	79.
9	Switch, Dimmer				
10	Switch, Wiper				
	1998-00	83119FC070	m	#1.1	84.
	2001				
	L Model	83119FC070	m	#1.1	84.
	S Model	83119FC100	m	#1.1	101.
	2002				
	L Model	83119FC090	m	#1.1	101.

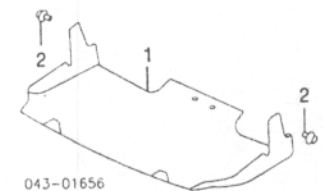
9 Mount, Trans	41022AC180	.6	99.38
10 Plate, Xmbr Front	41025AC000		10.08
11 Plate, Xmbr Rear	41025AC040		8.55
12 Cushion, Xmbr Upper Frt	41022GA200		4.20
13 Cushion, Xmbr Upper Rear	41022GA400		4.20
14 Cushion, Xmbr Lower Frt	41022GA400		4.20
15 Cushion, Xmbr Lower Rear	41022GA200		4.20
16 Spacer, Xmbr (4)	41037AC000		5.58

AUTO TRANS



1 Mount, Engine	R/L 41022FA090	#9	100.30
<i>#R&R Both Sides 1.5</i>			
2 Bracket, Eng Mount	R 41031FA080		13.92
	L 41031FA090		13.92
3 Rod Assy	98-01 41040AC000	.4	57.12
	02 41040AE010	.4	39.22
<i>Bushing, Rod[]</i>			
4 No. 1	41022GA410		32.0E
5 No. 2	641038000		7.4E
<i>[Included w/Rod Assy]</i>			
6 Crossmember, Trans	41021AC390	.7	87.9E
7 Mount, Trans	41022AE120	.8	75.97
8 Cushion, Trans	41022FA050		4.9E

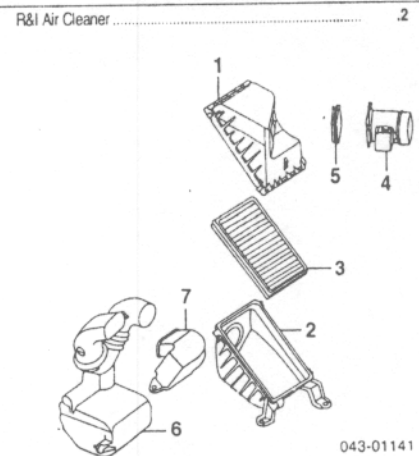
ENGINE UNDER COVER



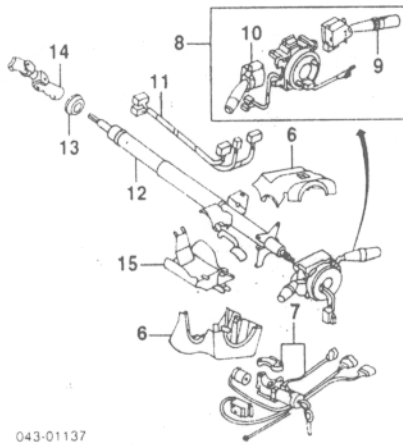
1 Cover, Under	56410FC000	.3	116.9
2 Clip, Under Cover	R/L 57728AC090		.8

AIR CLEANER

AIR CLEANER 1998-99



R&I Air Cleaner			.2
1 Cover, Air Cleaner Upper	46053AC090	.2	50.
2 Cover, Air Cleaner Lower	46053AC080	#.3	129.
<i>#Includes R&R Air Cleaner Upper Cover & Element</i>			
3 Element, Filter	16546AA020	.3	14.
4 Meter, Air Flow	98 22680AA160	m .8	355.
	99 22680AA290	m .8	319.
5 Retainer, Meter	46033AC000		2.
6 Chamber, Air Flow	46040AE020	#.6	61.



043-01137

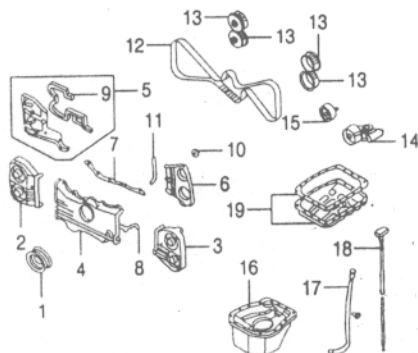
S Model	83119FC130	m #1.1	101.27
<i>Included w/Combination Switch Assy</i>			
#R&R Complete			
11 Cord, Combination Switch	83115FC020	m	53.00
12 Column, Steering	34500FC040	m 1.2	475.09
13 Boot, Column	34361FC000	m	6.02
14 Yoke	34160FC010	m 5	129.95
15 Protector, Knee	34351FC020	m 3	30.95

ENGINE/TRANS

Use Procedure Explanation 12 with the following text.

1998

R&I Engine Assy		m 5.3
-----------------	--	-------

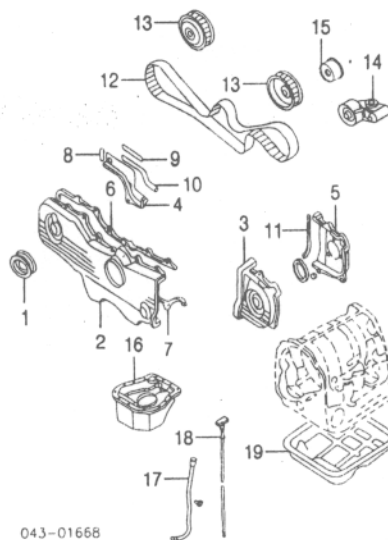


043-01667

1 Pulley, Crankshaft	12305AA251	m .7	116.10
2 Cover, Otr Right Timing Belt	13572AA043	m #1.5	26.73
3 Cover, Otr Left Timing Belt	13574AA031	m #1.5	27.73
4 Cover, Timing Belt Ctr	13570AA052	m #1.5	46.62
<i>#R&R Complete</i>			
5 Cover, Inr Right Timing Belt	13568AA072	m #3.0	24.72
6 Cover, Timing Belt Inr Left	13575AA044	m #3.0	27.73
<i>#R&R Complete, Includes R&R Outer Covers & Timing Belt</i>			
7 Seal, Upper Ctr Cover	13581AA050	m	19.43
8 Seal, Lower Ctr Cover	13594AA011	m	13.93
<i>Seal, Inner Cover</i>			
9 Right-Serviced w/Inner Right Timing Belt Cover			
10 Left	13585AA061	m	1.72
11 Seal, Cover Inner Ctr	13586AA041	m	8.60
12 Belt, Timing	13028AA072	m #2.5	79.95
<i>#Includes R&R Crankshaft Pulley & Outer Timing Covers</i>			
13 Sprocket, Camshaft			
Upper Right	13044AA020	m #2	98.82
Upper Left	13051AA020	m #2	92.60
Lower Right	13049AA020	m #2	98.82
Lower Left	13054AA020	m #2	92.60
14 Tensioner, Timing Belt	13033AA040	m #2	140.20
15 Pulley, Idler	13069AA063	m #1	116.62
<i>#w/Timing Belt Removed</i>			
16 Pan, Engine Oil	11109AA052	m 1.9	61.93
17 Tube, Oil Dipstick	15144AA011	.5	21.07
18 Dipstick, Eng Oil	11140AA046		13.57
19 Pan, Trans Oil	31390AA060	m .8	73.15

1999-02

R&I Engine Assy		m 5.3
-----------------	--	-------

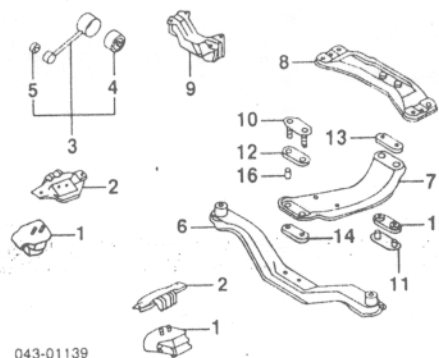


043-01668

1 Pulley, Crankshaft	12305AA251	m .7	116.10
2 Cover, Frt Right Timing Belt	13570AA112	m #1.5	51.60
3 Cover, Frt Left Timing Belt	13574AA081	m #1.5	19.78
<i>#R&R Complete, w/ A/C Add. 4</i>			
4 Cover, Rear Right Timing Belt	13573AA091	m #3.0	9.95
5 Cover, Rear Left Timing Belt	13575AA112	m #3.0	25.80
<i>#R&R Complete, Includes R&R Timing Belt</i>			
6 Seal, Frt Right Cover Upr	13594AA051	m	12.28
7 Seal, Frt Right Cover Lwr	13594AA011	m	13.93
<i>Seal, Frt Right Cover Rear Right</i>			
8 No. 1	13583AA190	m	1.77
9 No. 2	13583AA200	m	1.77
10 No. 3	13583AA210	m	2.25
11 Seal, Frt Right Cover Rear Left	13586AA041	m	8.60
12 Belt, Timing	13028AA181	m #2.5	79.95
<i>#Includes R&R Crankshaft Pulley & Outer Timing Covers</i>			
13 Sprocket, Camshaft			
R	13017AA042	m #2	37.85
L	13019AA041	m #2	37.85
14 Tensioner, Timing Belt	13033AA040	m #2	140.20
15 Pulley, Idler			
Upper	13073AA142	m #1	83.35
Lower	13073AA190	m #1	40.87
<i>#w/Timing Belt Removed</i>			
16 Pan, Eng Oil	11109AA092	m 1.9	69.03
17 Tube, Oil Dipstick			
1999			
To 5-99	15144AA041	.5	14.60
From 6-99	15144AA041	.5	14.60
2000-02	15144AA070	.5	16.33
18 Dipstick, Eng Oil	11140AA046		13.57
19 Pan, Trans Oil	31390AA080	m .8	53.90

ENGINE/TRANS MOUNTS

MAN TRANS



043-01139

1 Mount, Engine	R/L 41022FA090	#9	100.30
<i>#R&R Both Sides 1.5</i>			
2 Bracket, Eng Mount	R 41031FA080		13.92
	L 41031FA090		13.92
3 Rod Assy	98-01 41040AC000	.3	57.12
	02 41040AE010	.3	39.22
<i>Bushing, Rod[]</i>			
4 No. 1	41022GA410		32.05
5 No. 2	641038000		7.43
<i>[Included w/Rod Assy]</i>			
6 Crossmember, Front	98 41021FC010	#.9	153.53
	99-02 41021FC070	#.9	134.47
7 Crossmember, Center	41021AC310	#.9	101.13
8 Crossmember, Rear	41021AC330	#.9	75.88
<i>#R&R Complete 2.5</i>			

SUBARU FORESTER 1998-02

AIR CLEANER Cont'd

AIR CLEANER

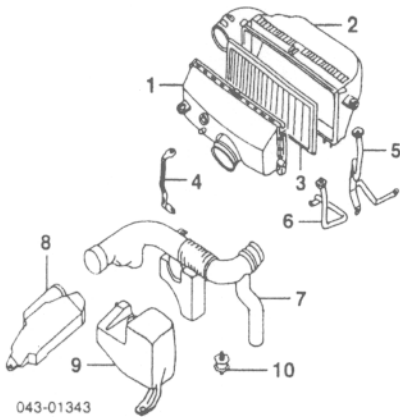
1998-99 Cont'd

#Includes R&R Right Fender Liner

7 Duct, Outlet	46021FC000	16.02
----------------	------------	-------

AIR CLEANER 2000-02

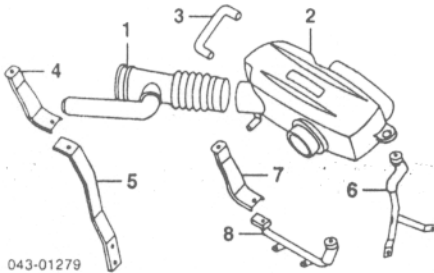
R&I Air Cleaner		2
-----------------	--	---



043-01343

1 Cover, Air Cleaner Upper	16520AA042	2	108.58
2 Cover, Air Cleaner Lower	16520AA032	#3	98.14
#Includes R&R Upper Air Cleaner Cover & Element			
3 Element, Filter	16546AA07A	3	14.95
4 Stay, Air Cleaner Frt	16563AA122		5.72
5 Stay, Air Cleaner Rear			
6 Man Traps	16563AA072		23.20
7 Duct, Air Cleaner	46020FC010	3	26.40
8 Duct, Intake	46021FC020		21.45
9 Resonator	46032AC070		34.40
10 Cushion, Chamber	46022AE010		7.25

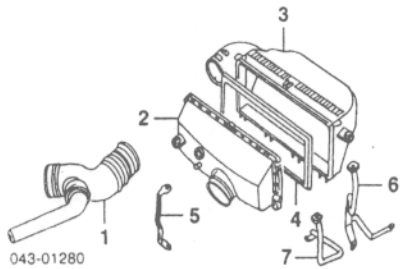
AIR DUCTS 1998



043-01279

1 Duct, Air Intake	14457AA203	2	114.90
2 Chamber, Air Intake	14435AA032	2	149.68
3 Hose, Vacuum	99071AA381		9.18
4 Stay, Air Cleaner Up	16563AA110		25.07
5 Stay, Air Cleaner Lwr	16563AA031		18.88
6 No. 1	16563AA024		41.35
7 No. 2	16563AA051		16.80
8 No. 3	16563AA042		57.40

AIR DUCTS 1999



043-01280

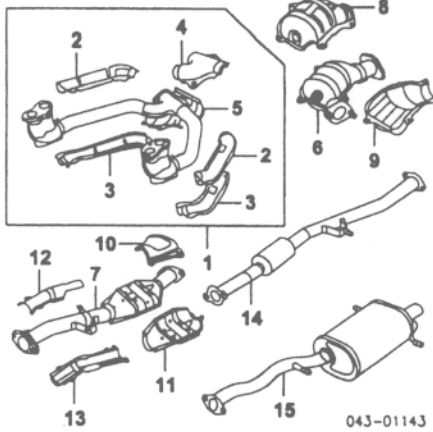
1 Duct, Air Intake	14457AA260	2	84.20
2 Chamber, Air Intake Frt	16520AA042	2	108.58
3 Chamber, Air Intake Rear	16520AA052	#3	105.42

#Includes R&R Air Intake Front Chamber

4 Gasket, Chamber	16553AA041	49.10
5 Stay, Front Chamber	16563AA122	5.72
6 Man Traps	16563AA072	23.20
7 Auto Trans	16563AA083	19.78

EXHAUST

R&R Exhaust Complete #2.0
#Does Not Include R&R Exhaust Manifolds



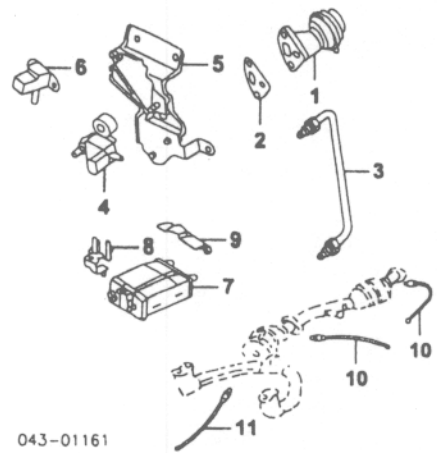
043-01143

1 Pipe Assy, Front Exhaust	44109AE030	9	238.37
1998-01			
2002			
To 10-01	44109AE030	9	238.37
From 11-01	44109AE030	9	238.37
2 Cover, Front Pipe Frt Up	R 44132AC510		24.32
	L 44132AC530		21.52
3 Cover, Front Pipe Frt Lwr	R 44132AC520		26.28
	L 44132AC540		19.17
4 Cover, Front Pipe Rear Upper	44132AC551		14.90
5 Cover, Frt Pipe Rear Lwr	44132AC561		13.87
#Included w/Front Exhaust Pipe Assy			
6 Converter, Front Catalytic			
1998			
w/Calif Emission	44111AC233	8	624.00
w/o Calif Emission	44111AC162	8	624.00
1999			
w/Calif Emission	44139FA010	8	d324.78
w/o Calif Emission	44139FA000	8	d324.78
2000-02	44139FA010	8	d324.78
7 Converter, Rear Catalytic			
1998			
w/Calif Emission	44111AC242	5	365.29
w/o Calif Emission	44111AC172	5	396.67
1999-02-Serviced w/Front Catalytic Converter			
8 Cover, Catalytic Converter			
Front Upper	44132AC871		30.07
9 Cover, Catalytic Converter			
Front Lower	44132AC171		25.25
10 Cover, Catalytic Converter Rear Up			
1998	44132AC720		21.18
1999	44132AE190		0.00
2000-02	44132AC151		20.42
11 Cover, Catalytic Converter Rear Lwr			
1998	44131AC871		21.18
1999-02	44131AE190		21.95
12 Cover, Converter Pipe Up			
1998	44131AC820		16.95
1999-02	44131AE120		15.77
13 Cover, Catalytic Converter Lwr			
1998	44131FA390		7.03
1999-02	44131AE170		15.77
14 Pipe, Intermediate	98 44205FA030	.7	172.15
	99-02 44200FA150	.7	169.87
	44305FC011	.5	219.95
15 Muffler			

EMISSION SYSTEM

Illustration Located in Next Column

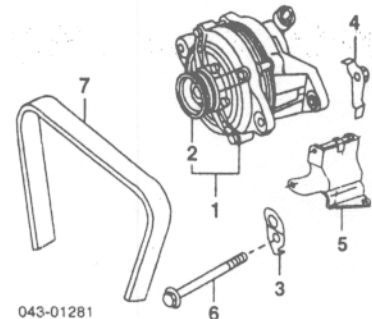
1 Valve, EGR	98 14710AA530	m	.5	166.43
2 Gasket, EGR Valve	98 14719KA000			3.75
3 Pipe, EGR Valve	98 14725AA121	m		53.17
4 Valve, Solenoid	98-99 14774AA341	m	.5	144.80
5 Brkt, Solenoid Valve	98 14874AA160			25.45
	99-02 14874AA213			21.07
6 Sensor, Vacuum	22312AA471	m		6.07
7 Canister, Vapor	42036AC020	m	.4	84.72
8 Brkt, Canister Front	42026FC090			28.10
9 Brkt, Canister Rear	42026FC050			38.07
10 No. 1 (2)	98 22690AA740	m	.8	129.95
	99-02 22690AA640	m	.8	149.95
	22690AA350	m	.8	129.95
11 No. 2				



043-01161

ELECTRICAL

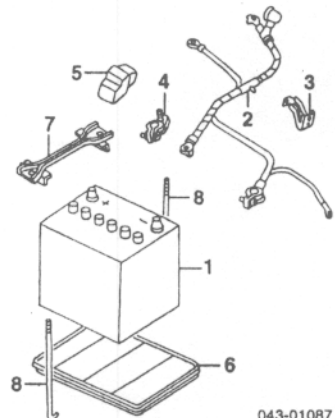
ALTERNATOR



043-01281

1 Alternator Assy	98 23700AA290	m	.6	359.95
	99-02 23700AA390	m	.6	429.96
2 Pulley, Alternator	23752AA050	m		78.65
#Included w/Alternator Assy				
3 Bracket, Alternator Frt	10005AA031			17.37
w/o A/C				
4 Bracket, Alternator Rear	11717AA060			3.98
5 Bracket, Alternator Lwr	11711AA051			28.35
w/o A/C				
6 Bolt, Alternator	800708380			1.92
7 Belt, Alternator	809218270	1.0		10.75

BATTERY

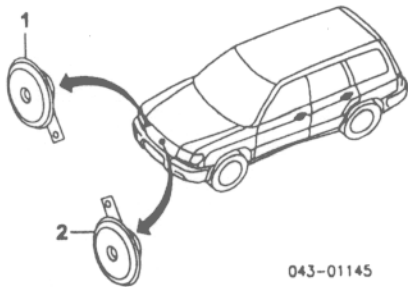


043-01087

1 Battery	NA	2	0.00
2 Cable, Battery			
Positive/Negative			
Man Trans	81601FC112	.4	56.15
Auto Trans	81601FC012	.4	57.87
3 Bracket, Cable	81042AA080		10.30
4 Terminal, Battery			
Positive	81608GA110		12.13
5 Cover, Terminal	81611AA000		4.90
6 Tray, Battery			
1998			
To 5-97	82122AA011	#2	8.50

From 6-97	82122FC000	#2	9.43
1999-02	82122FC000	#2	9.43
7 Holder, Battery	82182AA040	#2	8.50
8 Bolt, Battery	R/L 82161AA040	#2	3.22

HORN



1 Horn, High Note	86012FC020	#3	34.95
2 Horn, Low Note	86012FC000	#3	34.95

IGNITION

Coil, Ignition	98 22433AA370	m	5	99.98
	99-02 22433AA410	m	5	160.57
Igniter Unit	22438AA04A	m	7	219.92
Control Unit, Ignition	22611AC980	m	1.0	571.93

[Order by Application]

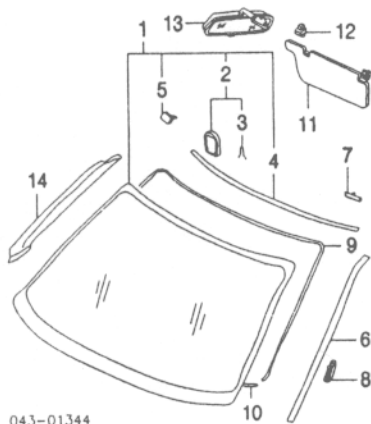
STARTER

Starter				
1998	23300AA381	m	1.0	359.95
1999-02				
Man Trans	23300AA381	m	1.0	359.95
Auto Trans	23300AA390R1	m	1.0	R160.00

WINDSHIELD

Use Procedure Explanation 13 with the following text.

R&I Windshield..... #2.4
#Includes Clean Up Old Adhesive as Necessary



1 Glass Assy, Windshield				
Subaru (Green)				
1998	65009FC001	#2.0	625.81	
1999-00				
Base, L Model	65009FC001	#2.0	625.81	
S Model	65009FC060	#2.0	661.93	
2001-02				
L Model	65009FC001	#2.0	625.81	
S Model	65009FC060	#2.0	661.93	
NAGS (Green)				
Heated	FWD2119GGN	#2.0	1134.55	
Non-Heated				
w/Attachment	FWD2058GGY	#2.0	643.75	
w/o Attachment	FWD2058GGN	#2.0	602.45	

#Includes Clean Up Old Adhesive as Necessary

2 Base Assy, Mirror	92031FC000	#2	12.03
3 Spring, Mirror	92031FC020	#2	5.80
(a) Included w/Mirror Base Assy			
4 Midg, Upper Reveal	65023FC010	#2	26.47
5 Pin, Locator	R 65025FC000	#1.58	1.58
L 65025FC010			

#Included w/Windshield Glass Assy

6 Midg, Side Reveal	R 91013FC000	#2	30.07
L 91013FC010			
7 Fastener, Upper Midg	65026FC000	#2	1.85
8 Clip, Side Reveal Midg			
(4/Side)	R/L 91017FA010		1.77
9 Dam, Windshield Upr/Side	65021FC010		14.02
10 Dam, Windshield Lwr	62021FC000		0.00
11 Visor, Sun			

1998-00				
Base Model				
R 92010FC021NE	#2	42.46		
L 92010FC521NE	#2	42.46		

L Model				
Beige				
R 92010FC021GB	#2	42.46		
L 92010FC521GB	#2	42.46		
Gray				
R 92010FC021NE	#2	42.46		
L 92010FC521NE	#2	42.46		

S Model				
Beige				
R 92010FC031GB	#2	57.19		
L 92010FC531GB	#2	60.44		
Gray				
R 92010FC031NE	#2	57.19		
L 92010FC531NE	#2	60.44		

2001				
L Model				
Beige				
R 92010FC021GB	#2	42.46		
L 92010FC521GB	#2	42.46		
Gray				
R 92010FC021NE	#2	42.46		
L 92010FC521NE	#2	42.46		

S Model				
Beige				
R 92010FC031GB	#2	57.19		
L 92010FC531GB	#2	42.46		
Gray				
R 92010FC031NE	#2	57.19		
L 92010FC531NE	#2	60.44		

2002				
L Model				
Beige				
R 92010FC120GB	#2	42.47		
L 92010FC130GB	#2	57.20		
Gray				
R 92010FC120NE	#2	42.47		
L 92010FC130NE	#2	57.20		

S Model				
w/Sunroof				
Beige				
R 92010FC032GB	#2	57.20		
L 92010FC532GB	#2	60.45		
Gray				
R 92010FC032NE	#2	57.20		
L 92010FC532NE	#2	60.45		

w/o Sunroof				
Beige				
R 92010FC130GB	#2	57.20		
L 92010FC640GB	#2	60.45		
Gray				
R 92010FC130NE	#2	57.20		
L 92010FC640NE	#2	60.45		

12 Retainer, Visor				
Beige	R/L 92020FC000GB	#2.38	2.38	
Gray	R/L 92020FC000NE	#2.38	2.38	
13 Mirror, Rear View	X9201FC000	#2	39.95	

14 Midg, Pillar Garnish				
Beige				
1998	R 94010FC000GA	#2	38.07	
L 94010FC010GA			46.55	

1999				
To 2-99				
R 94010FC000GA	#2	38.07		
L 94010FC010GA	#2	46.55		
From 2-99				
R 94010FC001GA	#2	31.33		
L 94010FC011GA	#2	31.33		

2000				
R 94010FC001GA	#2	31.33		
L 94010FC011GA	#2	31.33		

2001				
To 6-00				
R 94010FC001GA	#2	31.33		
L 94010FC011GA	#2	31.33		
From 6-00				
R 94010FC000GA	#2	38.07		
L 94010FC010GA	#2	46.55		

2002				
L Model				
R 94010FC200GA	#2	31.02		
L 94010FC210GA	#2	31.02		

S Model				
w/Sunroof				
R 94010FC000GA	#2	38.07		
L 94010FC010GA	#2	46.55		
w/o Sunroof				
R 94010FC200GA	#2	31.02		
L 94010FC210GA	#2	31.02		

Light Gray				
1998				
R 94010FC000ND	#2	46.55		
L 94010FC010ND	#2	46.55		

1999				
To 2-99				
R 94010FC000ND	#2	46.55		
L 94010FC010ND	#2	46.55		
From 3-99				
R 94010FC001ND	#2	31.33		
L 94010FC011ND	#2	31.33		

2000				
R 94010FC001ND	#2	31.33		
L 94010FC011ND	#2	31.33		

2001				
To 6-00				
R 94010FC001ND	#2	31.33		
L 94010FC011ND	#2	31.33		
From 6-00				
R 94010FC000ND	#2	46.55		
L 94010FC010ND	#2	46.55		

2002				
L Model				
R 94010FC200ND	#2	31.02		
L 94010FC210ND	#2	31.02		

S Model				
w/Sunroof				
R 94010FC000ND	#2	46.55		
L 94010FC010ND	#2	46.55		
w/o Sunroof				
R 94010FC200ND	#2	31.02		
L 94010FC210ND	#2	31.02		

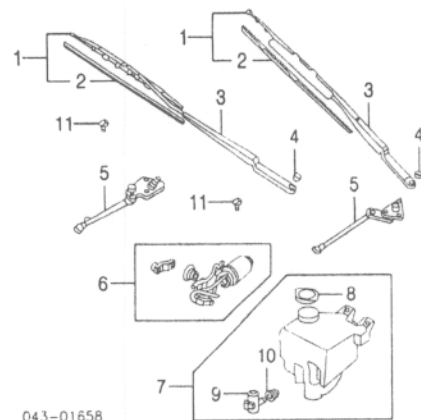
WIPER SYSTEM

Illustration Located in Next Column

1 Blade Assy, Wiper	R 86542AC090	#2	15.50
L 86542AC060			14.82
2 Insert, Blade	R 86548FC010	#1	00.00
L 86548FC000			00.00

#Included w/Wiper Blade Assy

3 Arm, Wiper	R 86532FC030	#3	30.95
w/Fin	L 86532FC070	#3	30.95
R 86532FC030	#3	30.95	
L 86532FC010	#3	30.95	
w/o Fin			
R 86532FC030	#3	30.95	
L 86532FC010	#3	30.95	



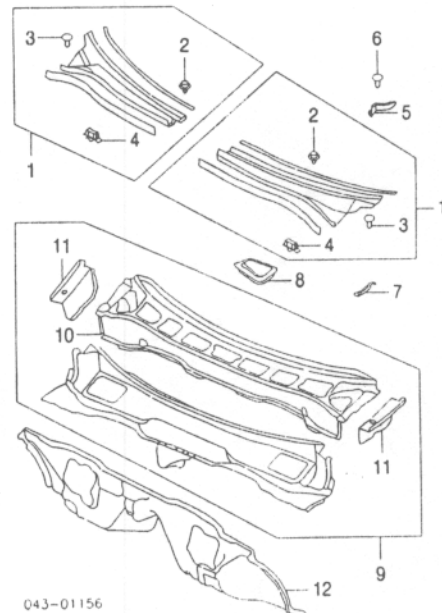
#Includes R&R Wiper Blade or Insert

4 Cover, Wiper Arm	R/L 86538FA010	#4	4.
5 Link, Wiper	R 86521FC010	#4	34.
L 86521FC020			41.
6 Motor, Wiper	86511FC020	#8	139
7 Tank Assy, Washer	86610FC000	#7	119
8 Cap, Tank	86615AA060	#8	9.
9 Motor & Pump			
Front	86611AA010	#7	69
Rear	86611AC010	#7	26
10 Grommet	686223030	#5	5
(#Included w/Washer Tank Assy)			
11 Nozzle, Spray	98 R 86536FC020	#2	19
L 86536FC030			#2
99-02 R 86536FC080			#2
L 86536FC090			#2

#Included in R&R Hood

COWL & DASH

Use Procedure Explanations 14 and 28 with the following text.



1 Grille Assy, Cowl Top	98 R 91151FC030	#4	4
L 91151FC010			#4
99-02 R 91151FC070			#4
L 91151FC060			#4

#Includes R&R Wiper Arm

Clip, Cowl Top			
2 No. 1	R/L 91167FC040		
3 No. 2	R/L 91167FC030		
4 No. 3	R/L 91167FC000		

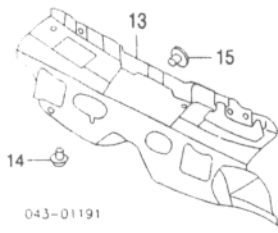
#Included w/Cowl Top Grille Assy

5 Panel, Grille Side			
1998			
To 4-98	R 91152FC100		
L 91152FC110			
From 5-98	R 91152FC101		
L 91152FC111			
1999-02			
R 91152FC101			
L 91152FC111			
6 Clip, Grille Side	R/L 91167FC020		
7 Cover, Hood Hinge	R 57257FA000		
L 57257FA010			

SUBARU FORESTER 1998-02

COWL & DASH Cont'd

1 Cover, Cowl Top Panel	91153FC010	6.98
2 Panel Assy, Cowl Top	52800FC010	299.95
3 Panel, Cowl[*]	53100FC010	130.90
4 Ext. Cowl Panel[*]	R 52780FC000	34.10
	L 52780FC010	34.10
*Included w/Cowl Top Panel Assy		
12 Panel, Dash	52200FC010	333.33



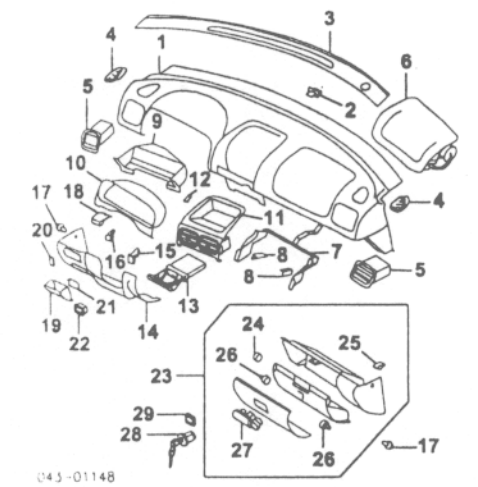
13 Insulator, Dash	98 90815FC030	120.47
	99-02 90815FC170	120.47
14 Clip, Insulator	909205042	44
15 No 2 (3)	909205054	60

INSTRUMENT PANEL

Use Procedure Explanation 14 with the following text.

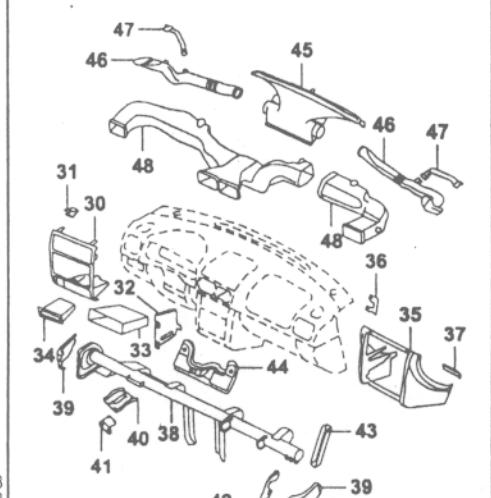
R&I Instrument Panel Assy.....m 2.3

NOTE: All Parts in this section are included in R&R Instrument Panel unless noted otherwise.



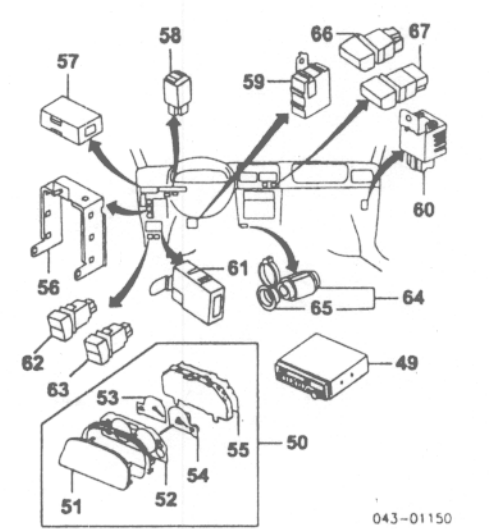
1 Panel, Instrument	66040FC010DC	m 5.0	360.28
	66040FC010OE	m 5.0	360.28
2 Grommet (2)	66151FA000		52.42
3 Grille, Upr Ctr Defroster			
	Brown	2	49.95
	Dark Gray	2	49.95
4 Grille, Side Defroster			
	Brown	98 R 66115FC020DC	2 5.95
		L 66115FC030DC	2 5.95
		99-02 R 66115FC021DC	2 5.77
		L 66115FC031DC	2 5.77
	Dark Gray	R 66115FC021OE	2 5.95
		L 66115FC031OE	2 5.95
5 Grille, Side Vent			
	Brown	R 66110FC030DC	2 29.95
		L 66110FC010DC	2 29.95
	Dark Gray	R 66110FC030OE	2 29.95
		L 66110FC010OE	2 29.95
6 Module, Passenger Air Bag-See Air Bag System Section			
7 Reinf, Air Bag	66203FC010		19.17
	1998 (1 Piece)	R 66203FC030	5.98
	1999-02 (2 Piece)	L 66203FC040	5.98
8 Brkt, Air Bag Reinf	98 R/L 66201FC070	2.25	
	99-02 R/L 66201FC200	1.77	
9 Panel, Meter	66208FC000		20.03
10 Visor, Meter	66180FC000		40.07
11 Panel, Center			
	Brown	98 66062FC5000C	2 99.95
		99-00 66062FC5200C	2 105.87
		01-02 66062FC5400C	2 99.55
	Dark Gray	98 66062FC5300E	2 99.95
		99-00 66062FC5200E	2 105.87
		01-02 66062FC5400E	2 99.55
12 Cover, Center Panel			
	Brown	98 R/L 66241FC020DC	2.20
		99-02 R/L 66241FC060DC	6.77
	Dark Gray	98 R/L 66241FC020OE	2.20

13 Holder, Cup	99-02 R/L 66241FC060OE	6.77	
	Brown	98-00 66150FC000DC	21.10
		01-02 66150FC010DC	68.58
	Dark Gray	98-00 66150FC000OE	21.10
		01-02 66150FC010OE	68.58
14 Cover, Inst Panel Lower			
	Beige	66075FC010GA	.3 34.07
	Light Gray	66075FC010ND	.3 34.07
15 Brkt, Cover Outer	R/L 66201FC110	2.25	
16 Brkt, Cover Center	66201FC120	2.25	
17 Clip, Lower Cover			
	Beige	R/L 66231FC030GA	1.22
	Light Gray	R/L 66231FC030ND	1.22
18 Holder, Coin Box	66267FC000	3.03	
19 Box, Coin			
	Beige	66175FC011GA	8.27
	Light Gray	66175FC011ND	8.27
20 Cover, Switch (3)	66813FA000	2.95	
21 Label, Fuse Cover-See Information Labels Section			
22 Case, Lower			
	Beige	66211FC090GA	10.02
	Light Gray	66211FC090ND	10.02
23 Box Assy, Glove			
	Beige	98 66120FC030GA	.3 132.77
		99-01 66120FC120GA	.3 129.50
		02 66120FC130GA	.3 120.57
	Light Gray	98 66120FC030ND	.3 132.77
		99-01 66120FC120ND	.3 129.50
		02 66120FC130ND	.3 120.57
24 Cushion, Glove Box[*]	R/L 66226FC030	2.02	
	1998-01		
	2002		
	To 7-01	R/L 66226FC030	2.02
	From 7-01	R/L 66226FE050	1.98
25 Clip, Glove Box[*] (2/Side)	R/L 66136FA070	1.30	
26 Pin, Hinge[*]	R/L 66236FC010	3.03	
27 Lock, Glove Box[*]			
	Beige	66140FC020GA	18.03
	Light Gray	66140FC020ND	18.03
*Included w/Glove Box Assy			
28 Cylinder w/Key	57494FC030	2	29.95
29 Cover, Cylinder			
	Beige	66148FC000GA	3.03
	Light Gray	66148FC000ND	3.03



30 Panel, Radio			
	Black	66085FC001	.3 15.95
	Woodgrain	66085FC011	.3 50.65
31 Clip, Panel (2/Side)	R/L 66136FA070	1.30	
32 Bracket, Radio			
	1998-00	R 66201FC000	6.75
		L 66201FC010	6.75
	2001-02	R 66201FC000	6.75
	L Model	L 66201FC010	6.75
	S Model	R 66150FA130	8.19
		L 66150FA140	8.19
33 Pocket, Center Upper			
	1998-00	66511FA070	26.55
	2001		
	To 7-00	66511FA070	26.55
	From 8-00	66128AE000	20.42
	2002	66128AE000	20.42
		66245FC000	6.98
34 Pocket, Center Lower			
35 Console, Inst Panel			
	Beige	66085FC000GA	.3 46.07
	Light Gray	66085FC000ND	.3 46.07
36 Bracket, Console	R 66201FC020	3.98	
	L 66201FC030	3.98	
37 Reinf, Console	R 66203FC090	1.22	
	L 66203FC100	1.22	
38 Beam, Steering			
	1998		
	To 10-97	50815FC070	#1.5 249.95
	From 11-97	50815FC071	#1.5 322.13
	1999-02	50815FC071	#1.5 322.13
*w/Instrument Panel Removed			
39 Stay, Strg Beam Side	R 50812FC120		7.37

40 Stay, Strg Beam Lwr	L 50812FC130	7.37
41 Brkt, Lower Stay	50812FC050	11.20
42 Brkt, Strg Beam	50813FC320	7.25
43 Stay, Glove Box	50813FC040	9.50
44 Pad, Knee	50812FC040	8.60
45 Nozzle, Defroster	50816FC000	34.95
46 Duct, Defroster	66105FC030	36.05
	R 66100FC070	15.60
	L 66100FC050	15.60
47 Ext, Defroster Duct	R 66100FC110	12.03
	L 66100FC090	12.03
	R 66100FC030	17.20
	L 66100FC010	50.08



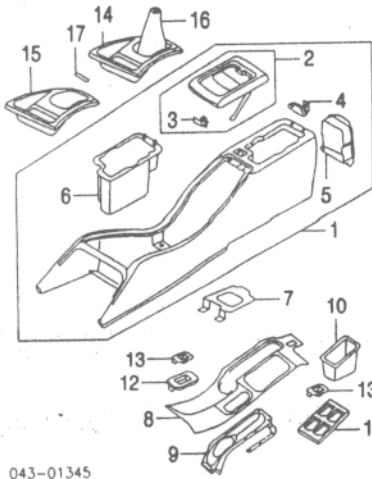
49 Radio			
	1998-00	86201FA270	.6 639.39
	2001-02		
	L Model	86201FC070	.6 752.77
	S Model	86201FC080	.6 1156.18
50 Meter Assy, Combination			
	Man Trans		
		98 85012FC100	m #.8 640.60
		99-00 85014FC100	m #.8 520.09
		01 85015FC100	m #.8 503.60
		02 85015FC650	m #.8 484.23
	Auto Trans		
		98 85012FC110	m #.8 640.60
		99-00 85014FC110	m #.8 520.09
		01 85015FC110	m #.8 503.60
		02 85015FC660	m #.8 532.64
#Not Included in R&R Instrument Panel			
51 Lens, Meter[*]	85075FC000	m #1.1	30.07
52 Plate, Meter[*]	98-00 85029FC020	m #1.1	56.07
	01-02 85029FC160	m #1.1	43.37
53 Speedometer[*]	98 85020FC010	m #1.1	273.08
	99-00 85020FC290	m #1.1	278.57
	01-02 85020FC410	m #1.1	109.37
54 Tachometer[*]	98 85040FC020	m #1.1	283.70
	99-00 85040FC070	m #1.1	248.45
	01-02 85040FC220	m #1.1	165.44
55 Plate, Printed Circuit[*]	98-00 85059FC000	m #1.1	60.08
	01 85059FC090	m #1.1	280.39
	02 85059FC280	m #1.1	316.83
*Included w/Combination Meter Assy			
#R&R Complete, Not Included in R&R Instrument Panel			
56 Bracket, Side	81041FC010		8.25
57 Timer, Door Lock	88201FC030		.3 96.15
58 Turn & Hazard Unit			
	1998	86112AE001	.3 41.28
	1999		
	To 3-99	86112AE001	.3 41.28
	From 4-99		
	Man Trans	86111FC070	.3 33.98
	Auto Trans	86111FC090	.3 33.98
	2000-02		
	Man Trans	86111FC070	.3 33.98
	Auto Trans	86111FC090	.3 33.98
59 Warning Unit, Key	88013FC010		.3 58.70
60 Control, Illumination	98-01 83023FA000		.3 99.95
	02 83023FC010		.3 80.77
61 Lock Unit, Shift	88083FC030		.3 123.83
62 Switch, Cruise	83001FA000		.3 32.25
63 Switch, Fog Lamp	83001FA051		.3 32.58
64 Socket Assy, Cigarette Lighter	86710AC040		.3 26.32
65 Cover, Socket[*]	86712AC000		10.48
*Included w/Cigarette Lighter Socket Assy			
66 Switch, Hazard			
	Brown	83045FC000DC	.3 32.07
	Dark Gray	83045FC000OE	.3 32.07
67 Switch, Rear Defogger			
	Brown	83041FC020DC	.3 80.15
	Dark Gray	83041FC020OE	.3 80.15

56 Bracket, Side	81041FC010		8.25
57 Timer, Door Lock	88201FC030		.3 96.15
58 Turn & Hazard Unit			
	1998	86112AE001	.3 41.28
	1999		
	To 3-99	86112AE001	.3 41.28
	From 4-99		
	Man Trans	86111FC070	.3 33.98
	Auto Trans	86111FC090	.3 33.98
	2000-02		
	Man Trans	86111FC070	.3 33.98
	Auto Trans	86111FC090	.3 33.98
59 Warning Unit, Key	88013FC010		.3 58.70
60 Control, Illumination	98-01 83023FA000		.3 99.95
	02 83023FC010		.3 80.77
61 Lock Unit, Shift	88083FC030		.3 123.83
62 Switch, Cruise	83001FA000		.3 32.25
63 Switch, Fog Lamp	83001FA051		.3 32.58
64 Socket Assy, Cigarette Lighter	86710AC040		.3 26.32
65 Cover, Socket[*]	86712AC000		10.48
*Included w/Cigarette Lighter Socket Assy			
66 Switch, Hazard			
	Brown	83045FC000DC	.3 32.07
	Dark Gray	83045FC000OE	.3 32.07
67 Switch, Rear Defogger			
	Brown	83041FC020DC	.3 80.15
	Dark Gray	83041FC020OE	.3 80.15

CENTER CONSOLE

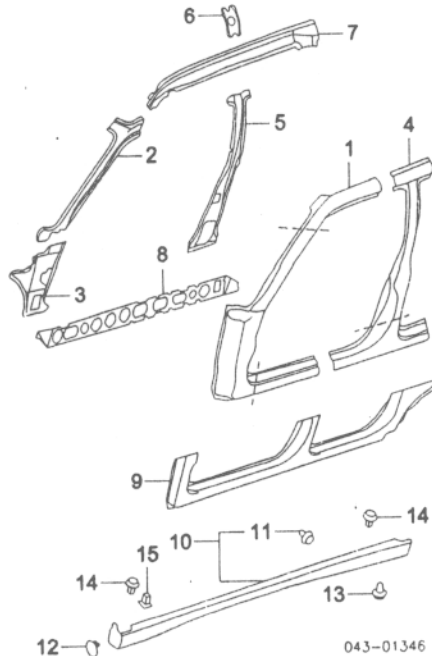
R&I Console Assy.....		.6
-----------------------	--	----

NOTE: All Parts in this section are included in R&R Console Assy unless noted otherwise.



043-01345

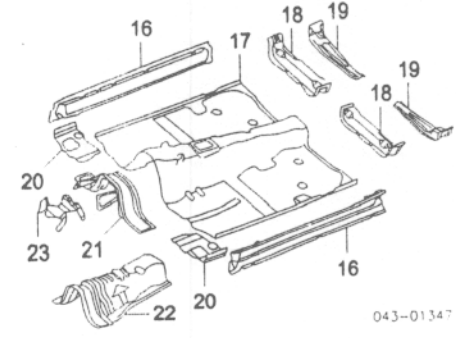
1 Box Assy, Console				
Beige	98 92060FC001GA	6	168.50	
Light Gray	99-02 92060FC030GA	6	173.17	
	98 92060FC040ND	6	166.83	
	99-02 92060FC030ND	6	173.17	
2 Lid Assy, Console Box				
Beige	92065FC060GA	2	81.68	
Light Gray	92065FC060ND	2	75.33	
3 Lock, Console Box (a)	92068FC000	2	4.02	
<i>(a) Included w/Console Box Lid Assy</i>				
4 Hinge, Console Box	92068FC010	2	8.60	
5 Holder, Cup				
Beige	92067FC000GA	42.08		
Light Gray	92067FC000ND	42.08		
6 Pocket, Console Box	92066FC000	30.07		
<i>Included w/Console Box Assy</i>				
7 Bracket, Console Rear	92070FC000	9.63		
8 Cover, Console				
Beige	92062FC060GA	3	42.08	
Light Gray	92062FC060ND	3	42.08	
9 Strip, Console Box	92074FC000	8.00		
10 Pocket, Console Box Case, Switch	92062AC020	6.02		
11 Heated Seat				
Beige	92082FC000GA	8.00		
Light Gray	92082FC000ND	8.00		
12 Non-Heated Seat (2)				
Beige	92082FC010GA	3.03		
Light Gray	92082FC010ND	3.03		
13 Cap, Coin Tray				
Beige	92024GA380GA	1.92		
Light Gray	92024GA380ND	1.92		
<i>(As Required)</i>				
14 Bezel, Console Box				
Man Trans	92061FC030	22.07		
Auto Trans	92061FC060	22.07		
15 Boot, Shift Lever	92072FC000	3	56.07	
Man Trans				
17 Label, Shift Lock-See Information Labels Section				



043-01346

1998	R 51530FC000	s	1.5	99.95
	L 51530FC010	s	1.5	99.95
1999-00	R 51530FC001	s	1.5	134.47
	L 51530FC011	s	1.5	134.47
2001 To 8-00	R 51530FC001	s	1.5	134.47
	L 51530FC011	s	1.5	134.47
From 9-00	R 51530FC120	s	1.5	81.68
	L 51530FC130	s	1.5	81.68
2002	R 51530FC120	s	1.5	81.68
	L 51530FC130	s	1.5	81.68
3 Pillar, Lwr Inr Hinge	98 R 51530FC080	s	2.0	99.95
	L 51530FC050	s	2.0	99.95
	99-02 R 51530FC081	s	2.0	115.93
	L 51530FC051	s	2.0	115.93
4 Pillar, Otr Ctr	98 R 51402FC020	s	8.5	389.10
	L 51402FC030	s	8.5	389.10
	99-02 R 51402FC101	s	8.5	336.47
	L 51402FC111	s	8.5	336.47
5 Pillar, Inner Center				
1998	R 51520FC000	s	1.0	119.95
	L 51520FC010	s	1.0	119.95
1999 To 12-98	R 51520FC040	s	1.0	161.08
	L 51520FC050	s	1.0	161.08
From 1-99	R 51520FC041	s	1.0	151.47
	L 51520FC051	s	1.0	151.47
2000-02	R 51520FC041	s	1.0	151.47
	L 51520FC051	s	1.0	151.47
6 Stiffener, Ctr Pillar				
1998	R 51582FC000	s	1.0	12.50
	L 51582FC010	s	1.0	12.50
1999 To 11-98	R 51582FC020	s	1.0	12.77
	L 51582FC031	s	1.0	11.97
From 12-98	R 51582FC021	s	1.0	11.97
	L 51582FC031	s	1.0	11.97
2000-02	R 51582FC021	s	1.0	11.97
	L 51582FC031	s	1.0	11.97
7 Rail, Roof Inner				
1998	R 51515FC040	s	79.55	
	L 51515FC050	s	79.55	
1999 To 12-98	R 51515FC041	s	81.15	
w/Sunroof	L 51515FC051	s	81.15	
w/o Sunroof	R 51515FC001	s	81.15	
	L 51515FC011	s	81.15	
From 1-99	R 51515FC042	s	76.33	
	L 51515FC053	s	76.33	
2000-02 w/Sunroof	R 51515FC043	s	57.20	
	L 51515FC053	s	76.33	
w/o Sunroof	R 51515FC043	s	57.20	
	L 51515FC053	s	76.33	
8 Reinf, Rocker Panel	R 51572FC040	s	89.95	
	L 51572FC050	s	89.95	
9 Panel, Outer Rocker	R 51402FC062	s	#7.5	336.47
	L 51402FC072	s	#7.5	336.47
<i>#w/Necessary Bolted Parts Removed, w/Outer Quarter Panel Assy Removed Deduct 1.5</i>				
10 Moulding Assy, Rocker				
Base, L Model	R 91057FC080	.4	270.65	
	L 91057FC090	.4	270.65	
S Model	R 91057FC280	.4	210.29	
	L 91057FC290	.4	210.29	
11 Clip, Rocker Midg	R/L 91059FC030	.80		
No. 1 (a)		.60		
No. 2	R/L 91059FC080			
No. 3 (4/Side)	R/L 59122FA010	1.48		

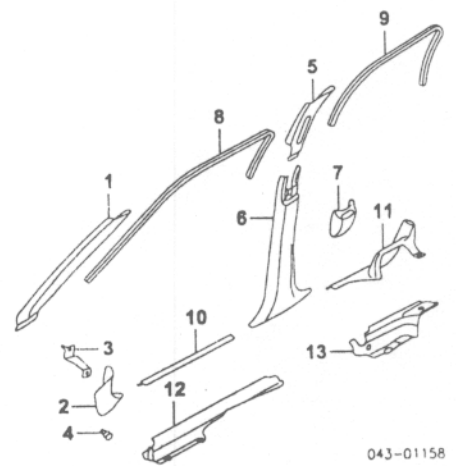
<i>Included w/Rocker Moulding Assy</i>			
<i>(a) As Required</i>			
14 Rivet, Rocker Midg (2/Side)	R/L 91059FC050		1.72
15 Grommet (3/Side)	R/L 96056FA010		1.70



043-01347

16 Panel, Inner Rocker	R 52154FC200	s	2.5	113.98
	L 52154FC210	s	2.5	113.98
17 Pan, Floor Front	52120FA000			369.95
18 Crossmember, Frt Floor	R 52140FA101			49.00
	L 52140FA110			49.95
19 Bracket, Seat Side	R 52140FA140			54.95
	L 52140FA150			54.95
20 Brace, Front Floor	R 52146AA100			39.95
	L 52146AA110			39.95
21 Reinf, Front Floor	52153FC300			109.75
22 Reinf, Hand Brake	52143FA233			101.47
23 Brace, Center Console	52153AC270			50.68

INTERIOR TRIM



043-01158

1 Midg, Pillar Garnish-See Windshield Section				
2 Panel, Cowl Trim				
Beige	R 94060FC000GA	.2	11.20	
	L 94060FC010GA	.2	11.20	
Light Gray	R 94060FC000ND	.2	11.20	
	L 94060FC010ND	.2	11.20	
3 Brkt, Cowl Trim Pnl	R 94076FC000	2.25		
	L 94076FC010	2.25		
4 Clip, Cowl Trim Pnl				
Beige	R/L 94070GA490GA	1.18		
Light Gray	R/L 94070GA490ND	1.18		
5 Trim, Center Pillar Upr				
Beige	R 94010FC020GA	#.4	46.55	
1998	L 94010FC030GA	#.4	46.55	
1999 To 9-98	R 94010FC120GA	#.4	43.87	
	L 94010FC130GA	#.4	43.87	
From 10-98	R 94010FC160GA	#.4	41.28	
	L 94010FC170GA	#.4	41.28	
2000	R 94010FC160GA	#.4	41.28	
	L 94010FC170GA	#.4	41.28	
2001 L Model	R 94010FC160GA	#.4	41.28	
	L 94010FC170GA	#.4	41.28	
S Model w/Sunroof	R 94010FC020GA	#.4	46.55	
	L 94010FC030GA	#.4	46.55	
w/o Sunroof	R 94010FC160GA	#.4	41.28	
	L 94010FC170GA	#.4	41.28	
2002 L Model	R 94010FC220GA	#.4	109.37	
	L 94010FC230GA	#.4	109.37	
S Model w/Sunroof	R 94010FC020GA	#.4	46.55	
	L 94010FC030GA	#.4	46.55	
w/o Sunroof	R 94010FC220GA	#.4	109.37	
	L 94010FC230GA	#.4	109.37	
Light Gray 1998	R 94010FC020ND	#.4	46.55	

ROCKER/PILLARS/FLOOR

Use Procedure Explanations 14, 15 and 28 with the following text.

SHEET METAL/EXTERIOR TRIM

Refinish Outer Hinge Pillar.....	R/L	1.5	
Refinish Outer Center Pillar.....	R/L	2.0	
Refinish Hinge Pillar (Section).....	R/L	1.0	
Refinish Center Pillar (Section).....	R/L	1.0	
Refinish Rocker Panel.....	R/L	1.5	
Refinish Rocker Moulding.....	R/L	.7	
R&R Hinge Pillar (Only).....	R/L	#7.0	
R&R Center Pillar (Only).....	R/L	#5.5	
<i>#Time is to Cut at Dotted Lines in Illustration</i>			
R&I Rocker Moulding.....	R/L	.4	

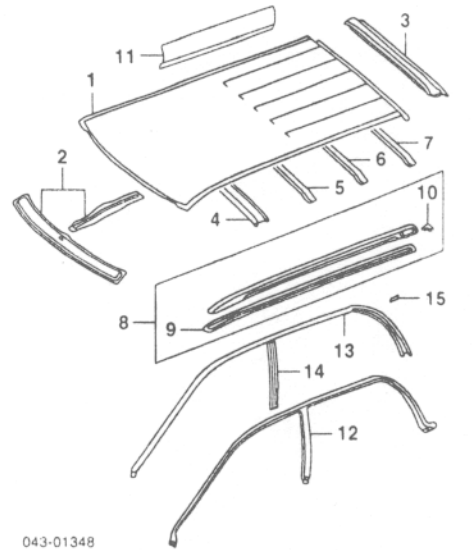
Illustration Located in Next Column

1 Pillar, Otr Hinge				
1998	R 51402FC001	s	9.5	304.08
	L 51402FC010	s	9.5	304.08
1999-00	R 51402FC080	s	9.5	372.77
	L 51402FC090	s	9.5	372.77
2001 To 11-00	R 51402FC080	s	9.5	372.77
	L 51402FC090	s	9.5	372.77
From 12-00	R 51402FC140	s	9.5	302.82
	L 51402FC150	s	9.5	302.82
2002	R 51402FC140	s	9.5	302.82
	L 51402FC150	s	9.5	302.82
2 Pillar, Upr Inr Hinge				

L Model	R 94056FC520GA	.5	221.52
Beige	L 94056FC530GA	.5	221.52
Gray	R 94056FC600ND	.5	231.34
	L 94056FC610ND	.5	231.34
S Model			
w/Leather			
Beige	R 94050FC760GA	.5	325.23
	L 94050FC770GA	.5	325.23
Gray	R 94050FC760ND	.5	325.23
	L 94050FC770ND	.5	325.23
w/o Leather			
Beige	R 94056FC600GA	.5	231.34
	L 94056FC610GA	.5	231.34
Gray	R 94056FC600ND	.5	231.34
	L 94056FC610ND	.5	231.34
Clip, Trim Panel			
2 No. 1 (3/Side)	R/L 94269AC010		.82
3 No. 2 (5/Side)	R/L 94078FC010		1.58
4 W/Strip, Inner Belt	R/L 63712FC000	#2	26.02
<i>#w/Trim Panel Removed</i>			
5 Handle, Pull			
Brown	R 94220FC000DC		15.23
	L 94220FC010DC		15.23
Gray	R 94220FC000OE		15.23
	L 94220FC010OE		15.23
6 Brlt, Pull Handle	R 94230FC020		7.45
	L 94230FC030		7.45
7 Pocket, Trim Panel	R 94221FC020		9.00
	L 94221FC030		9.00
8 Armrest			
1998			
Brown			
To 5-97	R 94225FC020DC		2 76.08
	L 94225FC030DC		2 76.08
From 6-97	R 94225FC021DC		2 72.82
	L 94225FC031DC		2 72.82
Dark Gray			
To 5-97	R 94225FC020OE		2 76.08
	L 94225FC030OE		2 76.08
From 6-97	R 94225FC021OE		2 72.82
	L 94225FC031OE		2 72.82
1999-02- Serviced w/Trim Panel			
9 Grommet	R/L 94019FC020		1.50
10 Clip, Grommet			
Beige	R/L 94019FC030GA		1.36
Gray	R/L 94019FC030ND		1.36
11 Switch, Power Window	R 83081FC070		48.53
	L 83081FC060		48.53
Cap, Trim Panel			
No. 1			
Beige	R/L 94231FC000GA		6.02
Gray	R/L 94231FC000ND		6.02
No. 2			
Brown	R 94222FC040DC		1.46
	L 94222FC050DC		1.46
Gray	R 94222FC040OE		1.46
	L 94222FC050OE		1.46
No. 3			
Beige	R 94222FC060GA		1.46
	L 94222FC070GA		1.46
Gray	R 94222FC060ND		1.46
	L 94222FC070ND		1.46
15 Grille, Speaker			
Beige	R 94223FC020GA		8.35
	L 94223FC030GA		8.35
Gray	R 94223FC020ND		8.35
	L 94223FC030ND		8.35
16 Speaker, Radio	R/L 86301FA230	#2	54.57
<i>#w/Trim Panel Removed, Not Included in R&R Trim Panel</i>			
17 Grommet (7/Side)	R/L 760119000		.60

2001-02	L 63318FC110	#3	75.42
	R 63318FC100	#3	75.42
	L 63318FC110	#3	75.42
<i>#w/Trim Panel Removed</i>			
2 Actuator, Latch	R 62316AC140	.4	82.75
	L 62316AC150	.4	82.75
	R/L 62314FC000	.2	11.82
3 Striker, Latch			
4 Handle Assy, Outside			
1998	R 63410FC000NN	#3	50.08
	L 63410FC010NN	#3	50.08
1999-02	R 63410FC100NN	#3	43.87
	L 63410FC110NN	#3	43.87
<i>#w/Trim Panel, Latch & Actuator Removed</i>			
5 Holder, Outside Handle	R 62412FC010		1.98
	L 62412FC000		1.98
<i>†Included w/Outside Handle Assy</i>			
6 Stopper, Door (2/Side)	R/L 760102330		1.22
7 Handle, Inside			
Brown	R 62510AC000DC		19.02
	L 62510AC010DC		19.02
Gray	R 62510AC000OE		19.02
	L 62510AC010OE		19.02
8 Brlt, Door Handle	98 R 63333FC000		13.25
	L 63333FC010		13.25
	99-02 R 63333FC001		13.25
	L 63333FC011		13.25
9 Hinge, Upper	R 61520FA000	#2	22.17
	L 61520FA010	#2	22.17
10 Hinge, Lower	R 61520FA020	#2	22.17
	L 61520FA030	#2	22.17
<i>#w/Door Removed</i>			
11 Check, Door	R/L 63302FC001	#2	34.07
<i>#w/Trim Panel Removed</i>			
GLASS & PARTS			
12 Weatherstrip, Door			
1998	R 63711FC000	.4	80.15
	L 63711FC010	.4	80.15
1999			
To 3-99	R 63711FC000	.4	80.15
	L 63711FC010	.4	80.15
From 4-99	R 63711FC001	.4	65.98
	L 63711FC011	.4	65.98
2000-02	R 63711FC001	.4	65.98
	L 63711FC011	.4	65.98

10 Motor, Regulator	98-00 R 63113FC100	#2	157.95
	L 63113FC110	#2	157.95
	01-02 R 63113FC100	#2	157.95
	L 63113FC110	#2	157.95
<i>#w/Trim Panel Removed</i>			
ROOF			
Use Procedure Explanations 17 and 28 with the following text.			
SHEET METAL/EXTERIOR TRIM			
Refinish Roof Outside			2.9
R&I Roof Rail Assy		#3.0	
<i>#Includes R&I/R&R Headliner</i>			



1 Panel, Roof			
1998	R 53601FC001	#21.5	382.19
1999-02			
w/Sunroof	R 53600FC001	#22.5	533.40
w/o Sunroof	R 53601FC001	#21.5	382.19
<i>#Includes R&I Roof Rail Assy</i>			
2 Panel, Front Header			
w/Sunroof			
1998	R 53400FC000	1.5	139.95
1999-00	R 53400FC010	1.5	132.38
2001			
To 8-00	R 53400FC010	1.5	132.38
From 9-00	R 53400FC011	1.5	81.68
2002	R 53400FC011	1.5	81.68
w/o Sunroof			
1998-00	R 53400FC000	1.5	139.95
2001			
To 8-00	R 53400FC000	1.5	139.95
From 9-00	R 53400FC001	1.5	98.13
2002	R 53400FC001	1.5	98.13
3 Panel, Rear Header	98-99 R 53410FC000	1.5	d99.95
	00 R 53410FC001	1.5	d119.28
	01-02 R 53410FC050	1.5	88.32
4 Bow, Front Header			
1998	R 53701FC000		59.95
1999-02 (w/o Sunroof)	R 53701FC070		104.23
Bow, Center Reinf			
5 No. 1			
w/o Sunroof	R 53701FC050		50.08
6 No. 2			
w/o Sunroof	R 53701FC060		40.87
7 Bow, Rear Reinf	R 53701FC040		43.00
8 Rail Assy, Roof	R 91075FC000NN	#1.0	299.95
	L 91075FC010NN	#1.0	299.95
<i>#w/Headliner Removed</i>			
9 Cushion, Roof Rail			
1998- Serviced w/Roof Rail Assy			
1999-02	R 91077FC100		50.87
	L 91077FC110		50.87
10 Cap, Roof Rail	98-99 R 91077FC020		1.22
	L 91077FC030		1.22
	00-02 R 91077FC021		.96
	L 91077FC031		.96
<i>†Included w/Roof Rail Assy</i>			
Bar Kit, Cross	R E3610FS901		159.95
<i>†Accessory Part Number Listed, Contact Dealer</i>			
11 Reinf, Roof Rail	99-02 R 51472FC630		44.05
	L 51472FC640		41.42
12 Weatherstrip, Roof	R 62710FC000	.4	116.90
	L 62710FC010	.4	115.75
13 Moulding & Retainer, Roof	R 62720FC000	1.0	154.77
	L 62720FC010	1.0	154.77
14 Retainer, Center	R 62722FC000	.2	8.25
	L 62722FC010	.2	8.25
15 Label, Roof Caution-See Information Labels Section			
INTERIOR TRIM			
R&I Headliner			

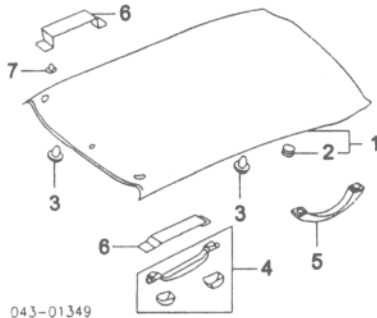
HARDWARE			
Refinish Outside Handle	R/L	.4	
Refinish Upper Hinge	R/L	.3	
Refinish Lower Hinge	R/L	.3	
R&I Outside Handle	R/L	#1.0	
<i>#Includes R&I/R&R Latch & Actuator & R&I Trim Panel</i>			
043-01282			
1 Latch & Bracket			
1998	R 63318FC000	#3	86.13
	L 63318FC010	#3	86.13
1999-00			
Base Model	R 63312FC100	#3	75.42
	L 63312FC110	#3	75.42
L S Model	R 63318FC100	#3	75.42

043-01662			
1 Glass Assy, Rear Door			
Subaru (Green)	R 63210FC101	1.0	219.95
	L 63210FC111	1.0	199.95
NAGS (Green)	R/L FD20292-3GTN	1.0	480.40
2 Slider, Glass	R/L 62224FC000		4.45
<i>†Included w/Rear Door Glass Assy</i>			
3 Moulding, Outer Belt-See Exterior Trim Section			
4 W/Strip, Inner Belt-See Interior Trim Section			
5 Stabilizer, Glass Outer (2/Side)	R/L 61256AE010		10.95
6 Stabilizer, Glass Inner (2/Side)	R/L 62304FC000		11.60
7 Channel, Front Run	R 63300FC000	#1	23.20
	L 63300FC010	#1	23.20
8 Channel, Rear Run	R 63300FC020	#1	23.20
	L 63300FC030	#1	23.20
<i>#w/Glass Removed</i>			
9 Regulator, Glass	98-00 R 63112FC100	#1.2	65.30
	L 63112FC111	#1.2	65.30
	01-02 R 63112FC100	#1.2	65.30
	L 63112FC111	#1.2	65.30
<i>#w/Glass Removed Deduct 1.0</i>			

ROOF Cont'd

INTERIOR TRIM Cont'd

w/Sunroof	2.0
w/o Sunroof	2.0

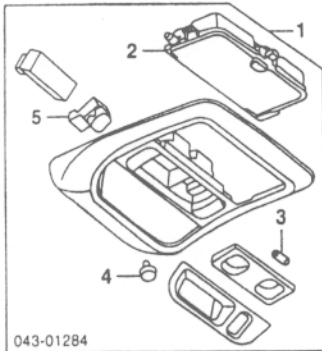


043-01349

1 Headliner Assy			
1998			
Beige	94410FC010GB	2.0	279.95
Gray	94410FC010NE	2.0	279.95
1999			
w/Sunroof			
Beige	94410FC520GB	2.0	0.00
Gray	94410FC520NE	2.0	349.95
w/o Sunroof			
Beige	94410FC040GB	2.0	209.95
Gray	94410FC040NE	2.0	209.95
2000-02			
w/Sunroof			
Beige	94410FC540GB	2.0	343.49
Gray	94410FC541NE	2.0	343.50
w/o Sunroof			
Beige	94410FC050GB	2.0	276.13
Gray	94410FC050NE	2.0	276.13
2 Cap, Headliner (3)			
	94415FC080GB	1.46	
	94415FC080NE	1.46	
<i>(Included w/Headliner Assy)</i>			
3 Clip, Headliner (8)			
	94415FC060GB	.98	
	94415FC060NE	.98	
4 Grip, Front Assist (1)			
	R 92040FA000GB	2	14.02
	L 92040FA010GB	2	16.02
	R/L 92040FA010NE	2	16.02
5 Grip, Rear Assist (1)			
	R/L 92040FA100GB	2	26.02
	R/L 92040FA100NE	2	26.02
<i>(Order by Application)</i>			
6 Brlt, Front Assist Grip			
	R 92041FC000	9.00	
	L 92041FC010	9.00	
7 Clip, Right Frt Brlt (2)			
	92021FC000GB	.60	
	92021FC000NE	.60	

OVERHEAD CONSOLE

R&L Overhead Console Assy	5
---------------------------------	---



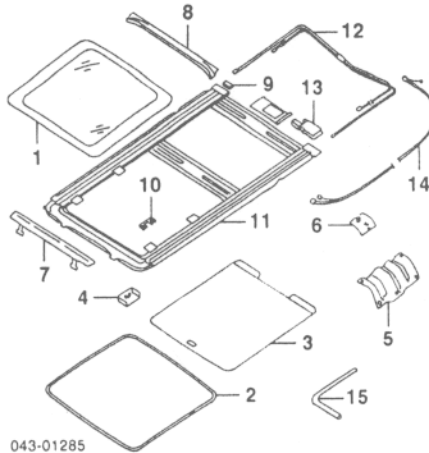
043-01284

1 Console Assy, Overhead			
1998			
Beige	84621FC000GB	5	179.95
Gray	84621FC000NE	5	179.95
1999-00 (1)			
w/Sunroof	84621FC020NE	5	183.57
w/o Sunroof	84621FC000NE	5	179.95
2001-02			
w/Sunroof	84621FC051NE	5	196.27
w/o Sunroof	84621FC031NE	5	168.23
<i>(Gray listed, Order by Application)</i>			
2 Case, Lens (a)			
	84622FC000GB	36.05	
	84622FC001NE	36.05	
3 Bulb (a) (2)			
	84920AC050	1.95	
4 Clip, Console (a)			
	84965FC010	1.40	

5 Switch, Sunroof (a)	83081FC050	32.52
<i>(a) Included w/Overhead Console Assy</i>		

SUNROOF

OH Sunroof Assy	#3.0
<i>#w/Headliner Removed</i>	
NOTE: All Parts in this section are included in overhaul unless noted otherwise.	



043-01285

1 Panel, Sunroof	99-00 65430FC010	1.0	563.21
	01-02 65430FC020	1.0	488.94
2 Garnish, Sunroof			
Beige	94470FC000GB		49.10
Gray	94470FC000NE		49.10
3 Sunshade			
2001-02			
Beige	65470FC020GB	.6	372.85
Gray	65470FC020NE	.6	372.85
4 Cover, Sunshade Base (2/Side)	R/L 65447FC000		4.92
5 Bracket, Frame Side	R 50813FC290		10.15
	L 50813FC300		10.15
6 Bracket, Frame Rear	R/L 65475FC000		2.92
7 Deflector, Air	65453FC000	.3	87.73
8 Trough, Drain	65456FC000		52.63
9 Holder, Sunroof	R 65425FC000		1.28
	L 65425FC010		1.28
10 Shim, Sunroof			
5mm (1)	65469FC000		1.18
1mm (8)	65416GA030		1.18
<i>(As Required)</i>			
11 Frame, Sunroof	65460FC020		458.07
12 Drive Unit, Sunroof	99-00 65451FC000		d210.80
	01-02 65451FC020		196.27
13 Motor, Sunroof	65450FC000	.8	262.38
14 Harness, Sunroof	65480FC000		70.18
15 Handle, Sunroof	65411KA000		2.92

QUARTER PANEL

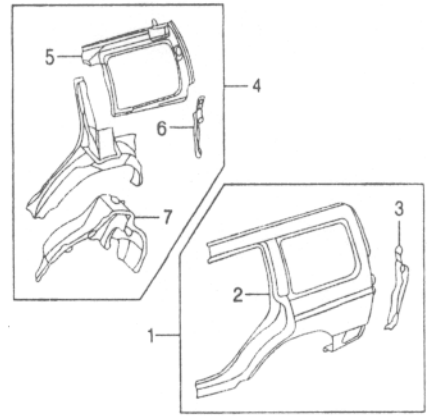
Use Procedure Explanations 20 and 28 with the following text.

SHEET METAL

Refinish Outer Panel Assy	R/L	1.9
Add for Pillar	R/L	.5
Add for Edge	R/L	.5
Refinish Fuel Door4
R&R Both Quarter Panels		23.9
R&R Roof & Both Quarter Panels		38.4
R&R Rear Body Panel & Both Quarter Panels		25.9
R&R Roof, Both Quarter Panels & Rear Body Panel		40.4
Add to R&R Quarter Panel		
To R&L Quarter Glass	R/L	.2

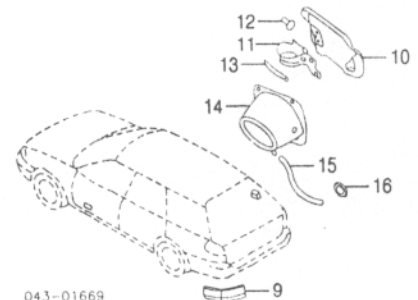
Illustration Located in Next Column

1 Panel Assy, Outer Quarter			
1998			
USA-Serviced by Components			
Canada	R N.A.	#13.0	0.00
L N.A.	L N.A.	#12.5	0.00
1999-02-Serviced by Components			
2 Panel, Outer Quarter (1)			
1998-Serviced w/Outer Panel Quarter Assy			
1999-02	R 51402FC042	#13.0	419.99
	L 51402FC052	#12.5	419.99
<i>#Deduct 3.5 w/Door Removed, Deduction Includes Common Surfaces & Included Operations</i>			
3 Panel, End			
1998 (1)	R 51450FC000	#2.5	50.45
	L 51450FC010	#2.5	49.95
1999-02	R 51450FC000	#2.5	50.45



043-01663

		L 51450FC010	#2.5	49.95
<i>(Included w/Outer Quarter Panel Assy #w/Bumper & Rear Lamp Assy Removed)</i>				
4 Panel Assy, Inner Quarter				
1998				
	R	51510FC070	s	6.5 507.79
	L	51510FC110	s	6.5 507.79
1999-02	R	51510FC300	s	6.5 484.23
	L	51510FC310	s	6.5 484.23
5 Panel, Upr Inr Quarter (1)				
98-00	R	51510FC181	s	1.5 402.68
	L	51510FC191	s	1.5 402.68
01-02	R	51510FC182	s	1.5 280.39
	L	51510FC192	s	1.5 280.39
6 Panel, Extension (1)				
	R	51551FC000	s	1.5 19.95
	L	51551FC010	s	1.5 19.95
7 Panel, Wheelhouse (1)				
1998-01				
	R	51600FC050	s	4.0 283.25
	L	51600FC130	s	4.0 316.37
2002				
To 5-01	R	51600FC050	s	4.0 283.25
	L	51600FC130	s	4.0 316.37
From 6-01	R	51600FC051	s	4.0 288.13
	L	51600FC061	s	4.0 316.37
<i>(Included w/Inner Quarter Panel Assy)</i>				
8 Panel, Outer Rocker-See Rocker/Pillars/Floor Section				



043-01669

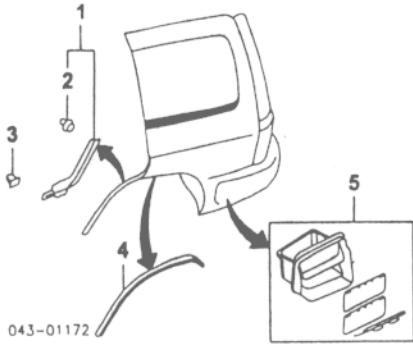
9 Extension, Rear-See Rear Lamps Section				
10 Door, Fuel	R	57601FC011	.3	38.18
11 Hinge, Fuel Door	R	57610AC000		14.95
12 Stopper, Hinge	R	57612PA000		1.75
13 Spring, Fuel Door	R	N.A.		0.00
14 Reinf, Fuel Door	R	51483FC000		19.95
15 Hose, Fuel Drain	R	51485FC000		5.02
16 Grommet, Hose	R	51493FC000		1.46

EXTERIOR TRIM

Refinish Quarter Moulding	R/L	.3
R&L Quarter Moulding	R/L	.2
R&L Mudguard	R/L	.2

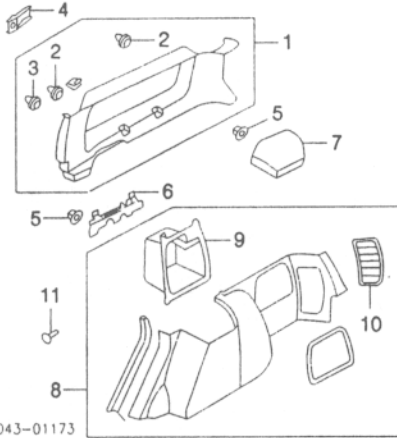
Illustration Located in Next Column

1 Moulding Assy, Quarter				
1998-00				
Base, L Model	R	91057FC060	.2	42.38
	L	91057FC070	.2	42.38
S Model	R	91057FC260	.2	42.38
	L	91057FC270	.2	42.38
2001-02				
L Model	R	91057FC560	.2	26.13
	L	91057FC570	.2	26.13



S Model (P)	R 91057FC580	2	26.13
	L 91057FC590	2	26.13
(P) Paint to Match			
2 Clip, Quarter Mldg]]	R/L 91059FC030		.80
#Included w/Quarter Moulding Assy			
3 Grommet, Screw (5/Side)	R/L 96056FA010		1.70
4 Protector, Wheel Arch	R/L 91071FC000	#2	37.07
5 Grille, Air Vent	R 72661FC000	#2	18.03
	L 72661FC010	#2	22.07
#w/Rear Bumper Removed			
Mudguard Assy-See Front Fender Section	R J1017FC033	2	0.00
Mudguard, Rear]]	L J1017FC034	2	45.95
#Included w/Mudguard Assy			

INTERIOR TRIM

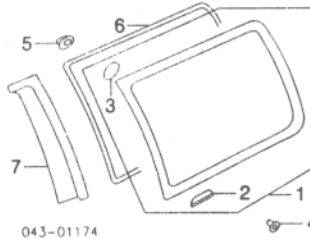


1 Trim Assy, Upper Quarter			
1998-00			
Beige	R 94012FC041GA	3	107.63
	L 94012FC050GA	3	107.63
Gray	R 94012FC041ND	3	110.18
	L 94012FC051ND	3	107.63
2001			
To 8-00			
Beige	R 94012FC100GA	3	89.86
	L 94012FC110GA	3	89.86
Gray	R 94012FC100ND	3	89.86
	L 94012FC110ND	3	89.86
From 9-00			
Beige	R 94012FC101GA	3	89.87
	L 94012FC111GA	3	89.87
Gray	R 94012FC101ND	3	89.87
	L 94012FC111ND	3	89.87
2002			
Beige	R 94012FC101GA	3	89.87
	L 94012FC111GA	3	89.87
Gray	R 94012FC101ND	3	89.87
	L 94012FC111ND	3	89.87
Clip, Upper Trim			
2 No. 1 (2/Side)]	R/L 94019FC050		1.98
3 No. 2 (2/Side)]	R/L 94019FC060		1.98
4 No. 3	R 94019FC000		1.98
	L 94019FC070		1.98
#Included w/Upper Quarter Trim Assy			
5 Grommet (4/Side)	R/L 661179000		.44
6 Bracket, Trim			
1998-99			
	R 94025FC000		9.63
	L 94025FC010		9.63
2000			
To 11-99			
	R 94025FC000		9.63
	L 94025FC010		9.63
From 12-99			
	R 94025FC001		7.86
	L 94025FC011		7.86
2001-02			
	R 94025FC001		7.86
	L 94025FC011		7.86

7 Cap, Rear Strut			
Beige	98-00 R 94080FC000GA		19.02
	L 94080FC010GA		19.02
	01-02 R 94080FC020GA		15.51
	L 94080FC030GA		15.51
Gray	98-00 R 94080FC000ND		19.02
	L 94080FC010ND		19.02
	01-02 R 94080FC020ND		15.51
	L 94080FC030ND		15.51
8 Trim Assy, Lower Quarter			
Beige	98 R 94063FC000GC	.6	111.28
	L 94063FC010GC	.6	111.28
	99-00 R 94063FC001GC	.6	112.40
	L 94063FC011GC	.6	112.40
	01-02 R 94063FC020GC	.6	98.14
	L 94063FC030GC	.6	98.14
Gray	98 R 94063FC000NF	.6	111.28
	L 94063FC010NF	.6	111.28
	99-00 R 94063FC001NF	.6	112.40
	L 94063FC011NF	.6	112.40
	01-02 R 94063FC020NF	.6	98.14
	L 94063FC030NF	.6	98.14
9 Pocket, Quarter Trim]]			
Beige	R 94083FC001GC		17.53
	L 94083FC011GC		16.33
Gray	R 94083FC001NF		16.33
	L 94083FC011NF		17.53
10 Cover, Rear Lamp]]			
Beige	R 94073FC000GC		15.05
	L 94073FC010GC		15.05
Gray	R 94073FC000NF		15.05
	L 94073FC010NF		15.05
#Included w/Lower Quarter Trim Assy			
11 Clip, Lower Trim (7/Side)			
Beige	R/L 94019AC090GC		1.18
Gray	R/L 94019AC090NF		1.18

QUARTER GLASS

R&I Quarter Glass..... R/L #1.7
#Includes Clean Up Old Adhesive as Necessary

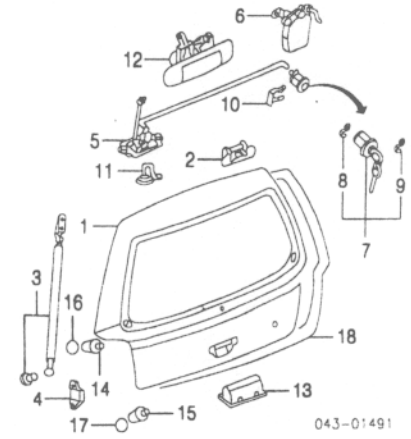


1 Glass Assy, Quarter			
Subaru			
1998			
	R 65209FC063	#1.5	179.95
	L 65209FC071	#1.5	179.95
1999-00			
	R 65209FC063	#1.5	179.95
	L 65209FC072	#1.5	179.95
2001			
	R 65209FC063	#1.5	179.95
	L 65209FC181	#1.5	221.17
2002			
To 5-01			
	R 65209FC280	#1.5	179.95
	L 65209FC290	#1.5	199.95
From 6-01			
	R 65209FC280	#1.5	179.95
	L 65209FC291	#1.5	221.17
NAGS (Green)			
1998-01	R/L FQ20294-5GTN	#1.5	588.50
2002			
To 3-1-01			
	R/L FQ20294-5GTN	#1.5	588.50
From 3-2-01			
	R/L FQ20294GTN	#1.5	588.50
	L FQ21570GTN	#1.5	801.95
#Includes Clean Up Old Adhesive as Necessary			
2 Decal]]			
AWD	98-00 R/L 93022AC610		24.95
	01-02 R/L 93080FC400		4.95
3 Clip, Glass Rear]]	R/L 65225FC030		4.07
#Included w/Quarter Glass Assy			
4 Clip, Glass Front	R/L 65225FC020		1.36
5 Grommet	R/L 791017980		3.18
6 Dam, Glass	R/L 65285FC000		14.63
7 Garnish, Quarter Glass	R 65227FC000	.2	70.13
	L 65227FC010	.2	59.95

LIFTGATE

Use Procedure Explanations 25 and 28 with the following text.

SHEET METAL	
Refinish Liftgate Outside.....	2.5
Add for Underside.....	1.2
Refinish Hinge.....	R/L .2
R&I Liftgate Assy.....	.5
R&I Lock Cylinder & Key Assy.....	#.5
#Includes R&V/R&R Lower Trim Panel	
R&I Outside Handle.....	#.7
#Includes R&V/R&R Lower Trim Panel & Latch	
Add to R&R Liftgate	
To Transfer Glass.....	.8



1 Shell, Liftgate			
	98-00 61701FC000	4.5	380.67
	01-02 61701FC100	4.5	380.67
2 Hinge, Liftgate	R/L 61820FC100	#2	21.88
#w/Liftgate Removed			
3 Stay, Prop			
	98-00 R 60315FC201	.3	57.19
	L 60315FC211	.3	57.20
	01-02 R 60315FC220	.3	57.19
	L 60315FC230	.3	57.19
4 Buffer, Liftgate			
1998-00			
	R 60112AA002	.1	12.15
	L 60112AA012	.1	12.15
2001			
To 6-00			
	R 60325FC000	.1	8.63
	L 60325FC010	.1	8.63
From 7-00			
	R 60325FC000	.1	8.63
	L 60325FC010	.1	8.63
2002			
	R 60325FC000	.1	8.63
	L 60325FC010	.1	8.63
5 Latch, Liftgate			
	98-00 60311FC000	#2	70.13
	01-02 60311FC100	#2	73.53
#w/Lower Trim Panel Removed			
6 Actuator, Latch			
1998			
To 9-97			
	60317FC000	#2	66.62
From 10-97			
	60317FC100	#2	66.62
1999-00			
	60317FC100	#2	66.62
2001-02			
	63112FC111	#2	65.30
#w/Lower Trim Panel Removed			
7 Cylinder & Key Set			
1998-00			
Base Model	57494FC040	#3	29.95
L, S Model	57494FC020	#3	29.95
2001-02	57494FC050	#3	29.95
#w/Lower Trim Panel Removed			
Holder, Rod]]			
8 No. 1	57494FC200	1.38	
9 No. 2	900080010	.34	
#Included w/Cylinder & Key Set			
10 Clip, Cylinder Cover	57460FC100		1.98
11 Striker, Latch	60301FC000	.2	11.82
12 Handle, Outside			
Black	98-00 60313FC000VF	#3	56.73
	01-02 60313FC100VF	#3	71.38
	01-02 60313FC100IT	#3	71.88
	01-02 60313FC100GH	#3	71.88
	98-00 60313FC000QA	#3	56.73
	01 60313FC100QA	#3	71.88
	02 60313FC100CI	#3	71.88
Red	98-00 60313FC000UJ	#3	56.73
	01-02 60313FC100UJ	#3	71.38
Silver	99-00 60313FC000SJ	#3	57.87
	01 60313FC100SJ	#3	71.88
	02 60313FC100TG	#3	71.88
White	98 60313FC000WI	#3	56.73
	99-00 60313FC000WG	#3	57.87
	01-02 60313FC100WG	#3	71.88
#w/Lower Trim Panel & Latch Removed			
13 Handle, Inside			
1998-00	62150AA220		7.75
2001-02			
Beige	60323FC000GA		16.34
Light Gray	60323FC000ND		16.34
14 Stopper, Liftgate Up	R/L 60320FC000		6.60
15 Stopper, Liftgate Lwr	R/L 60320FC010		7.05
16 Protector, Up Stopper	R/L 57535AA021		.40
17 Protector, Lwr Stopper	R/L 57253AA031		.59
18 W/Strip, Gate Opening			
1998			
To 9-97	62714FC000	.4	80.15
From 10-97	62714FC001	.4	70.18
1999-02	62714FC001	.4	70.18

EXTERIOR TRIM

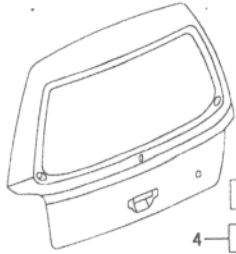
Illustration Located in Next Column

Nameplate (Adhesive)

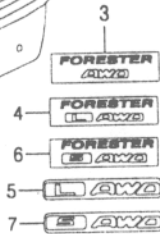
SUBARU FORESTER 1998-02

LIFTGATE Cont'd

EXTERIOR TRIM Cont'd



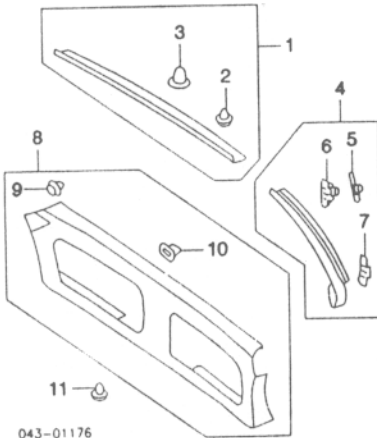
1—SUBARU
2—FORESTER



043-01492

1	*SUBARU	93080FC040	2	62.95
2	*FORESTER	01-02 93080FC330	2	19.95
3	*FORESTER AWD	98-00 93071FC030	2	44.95
4	*FORESTER L AWD	98-00 93071FC020	2	44.95
5	*L AWD	01 93080FC270	2	12.95
6	*FORESTER S AWD	98-00 93071FC010	2	44.95
7	*S AWD	01 93080FC260	2	12.95

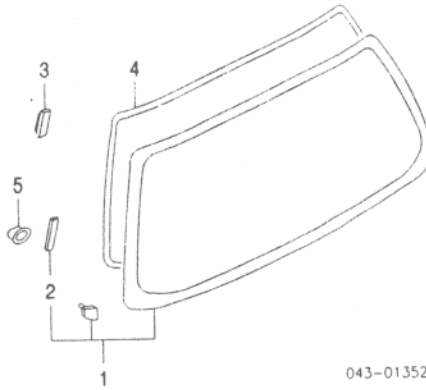
INTERIOR TRIM



043-01176

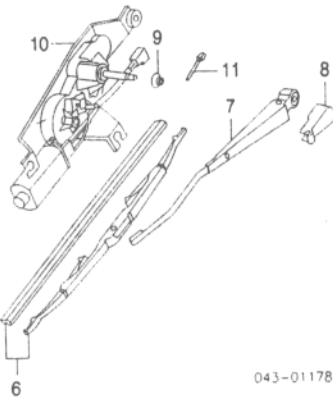
1	Trim Assy, Upper Center		2	46.55
	Beige	98-00 94013FC000GA	2	29.07
	Gray	01-02 94013FC010GA	2	46.55
		98-00 94013FC000ND	2	29.07
		01-02 94013FC010ND	2	
2	Clip, Upper Trim		1.58	
	No. 1 (2)	R/L 94078FC010		
	No. 2	R/L 94062AC000	1.30	
	#Included w/Upper Center Trim Assy			
4	Trim Assy, Upper Side		2	29.07
	Beige	98-00 R 94013FC010GA	2	29.07
		L 94013FC020GA	2	17.98
		01-02 R 94013FC030GA	2	17.98
		L 94013FC040GA	2	17.98
	Gray	98-00 R 94013FC010ND	2	29.07
		L 94013FC020ND	2	17.98
		01-02 R 94013FC030ND	2	17.98
		L 94013FC040ND	2	
	#Included w/Upper Side Trim Assy			
8	Trim Assy, Lower		2	68.80
	Beige	98-00 94064FC000GA	2	65.34
		01-02 94064FC010GA	2	68.80
	Gray	98-00 94064FC000ND	2	65.34
		01-02 94064FC010ND	2	
	#Included w/Lower Trim Assy			
	(a) As Required			
9	Clip, Lower Trim		1.58	
	No. 1 (5)	R/L 81901FC060		1.98
	No. 2	R/L 94019FC050		1.98
	No. 3 (4)	R/L 94019FC060		1.60
	Beige	94099AA200GA	1.60	
	Gray	94099AA200ND	1.60	

GLASS & PARTS



043-01352

1	Glass Assy, Liftgate		2.5	413.70
	Subaru (Green)	98-00 60203FC001	2.5	357.70
		01-02 60203FC100	2.5	1061.10
	NAGS (Green)	98-00 FB20296GTN	2.5	1216.70
		01-02 FB21400GTY		
	#Included w/Liftgate Glass Assy			
2	Fastener, Glass		3.03	
	No. 1	R/L 60212FC020	5.02	
	No. 2	R/L 60212FC010		
4	W/Strip, Glass		9.06	
		R/L 60215FC100	3.18	
5	Grommet			
		R/L 79101790		



043-01178

6	Blade, Rear Wiper		#.1	d000
		86542AA050	#.2	30.95
7	Arm, Rear Wiper		#.2	30.95
		98 86532FC050	#.3	30.95
		99-01 86532FC051	#.3	30.95
		02 86532FC050	#.3	30.95
		98 786538150	#.3	3.75
		99-01 86538FC000	#.3	1.64
		02 786538150	#.3	3.75
9	Cap, Pivot		#.7	2.12
		86535K0000	#.7	157.95
10	Motor, Wiper		#.2	11.77
		86511FC060	#.2	11.27
11	Nozzle, Washer		#.2	11.27
		98 86636FC001	#.2	11.27
		99-02 86636FC060		

#Included in R&R Liftgate

REAR SUSPENSION

Use Procedure Explanation 23 with the following text.

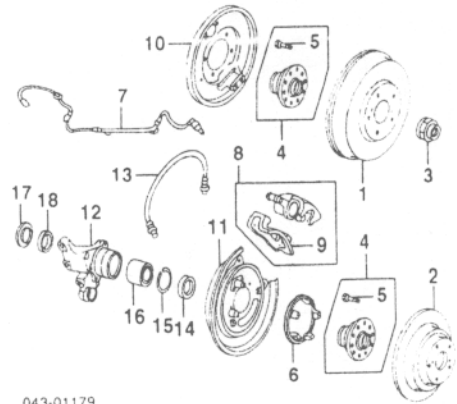
R&I Suspension (One Side)	R/Lm	1.5
QH Suspension (Includes R&I)		
One Side	R/Lm	3.4
Both Sides	m	6.4
Adjust Four Wheel Alignment	m	1.6
Adjust Rear Alignment	m	.8
Bleed Brake System		
w/ABS	m	.6
w/o ABS	m	.3

NOTE 1: R&I/R&R or QH Does Not include alignment or bleed brake system.

NOTE 2: All Parts in this section are included in overhaul unless noted otherwise.

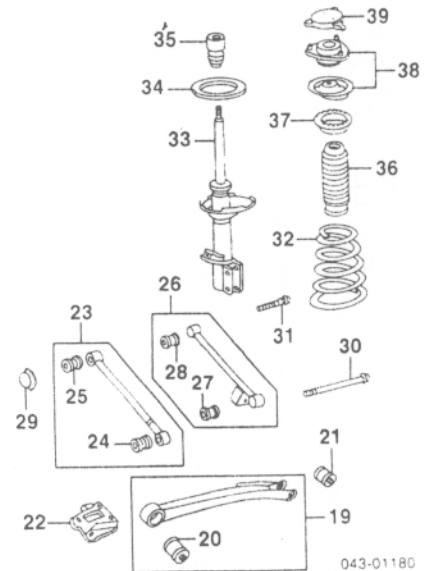
Illustration Located in Next Column

1	Drum, Brake		m	#.5	119.95
	Base Model	R/L 26340AA010	m	#.5	119.95
	L Model	R/L 26740FA000			
	#R&R Both Sides .8				
2	Rotor, Brake				



043-01179

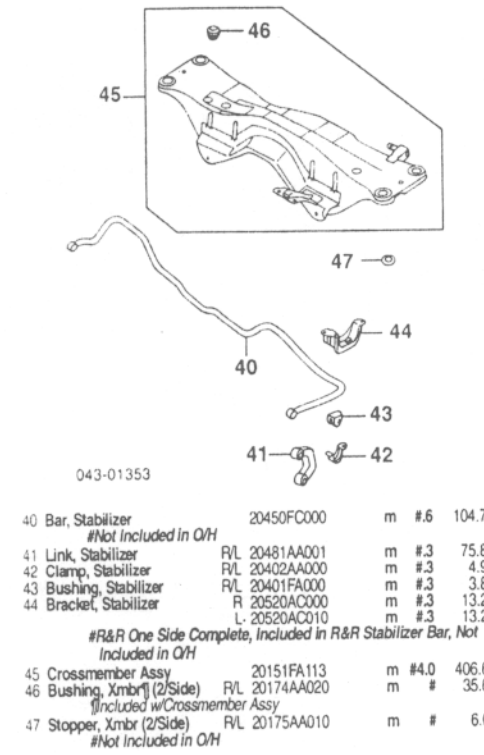
S Model	R/L 26700FE010	m	#.6	74.95
#R&R Both Sides 1.0				
3	Nut, Axle	R/L 28044AA000	m	4.37
4	Hub & Bearing Assy		m	#2.0
	w/ABS	R/L 28469FE000	m	#2.0
	w/o ABS	98-99 R/L 28469FE000	m	#2.0
		00 R/L 28052FC000	m	114.94
	#Includes R&R Spindle, Seals, Bearings & Drum or Rotor, R&R Both Sides 3.6			
5	Bolt, Hub	R/L 28055AA002	m	2.23
	#Included w/Hub & Bearing Assy			
6	Rotor, ABS Rear Sensor	R/L 26750AA014	m	#2.0
	#Included in R&R Hub, R&R Both Sides 3.6			
7	Sensor, ABS Rear-See ABS/Brakes Section		m	#.5
8	Caliper Assy, Brake	R 26692FC000	m	#.5
		L 26692FC010	m	#.5
9	Support, Caliper	R/L 26626FC000	m	#.5
	#Included w/Brake Caliper Assy			
	#R&R One Side Complete, w/Rotor Removed Deduct .3. R&R Both Sides .8			
10	Plate, Backing		m	#2.0
	Base Model	R 26255AA021	m	#2.0
		L 26255AA031	m	#2.0
	L Model	R 26655FA000	m	#2.0
		L 26655FA010	m	#2.0
11	Shield, Splash	R 26255AA061	m	#2.0
		L 26255AA071	m	#2.0
12	Spindle	R 28411AA000	m	#2.0
		L 28411AA010	m	#2.0
	#R&R One Side Complete, Included in R&R Hub, R&R Both Sides 3.6			
13	Hose, Brake		m	#.3
	w/ABS		m	#.3
	L Model	R/L 26550FC000	m	#.3
	S Model	R 26550FC030	m	#.3
		L 26550FC040	m	#.3
	w/o ABS	R/L 26550FC000	m	#.3
	#w/Caliper or Backing Plate Removed Deduct .2			
14	Seal, Outer	R/L 28015AA050	m	#2.0
15	Circlip	R/L 28035AA040	m	#2.0
16	Bearing	R/L 28016AA030	m	#2.0
17	Seal, Inner Primary	R/L 28015AA110	m	#2.0
18	Seal, Inner Secondary	R/L 28015AA100	m	#2.0
	#R&R One Side Complete, Included in R&R Hub, R&R Both Sides 3.6			



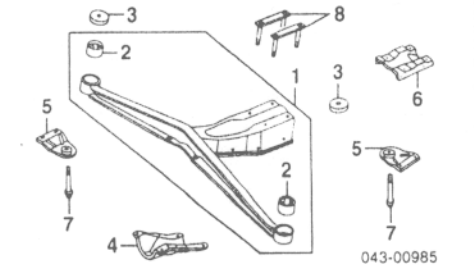
043-01180

19	Link Assy, Trailing	R/L 20270AA001	m	.5	82.75
----	---------------------	----------------	---	----	-------

20	Bushing, Trailing Link	R/L 20271AA021	m #6	30.40
<i>[Included w/Trailing Link Assy]</i>				
21	Bushing, Link Rear	R/L 20271AA010	m #6	29.10
<i>#R&R One Side Complete, w/Spindle Removed Deduct .3, R&R Both Sides 1.0</i>				
22	Brkt, Trailing Link	R 20520FC000 L 20520FC010	m #2	32.07
<i>#w/Trailing Link Removed</i>				
23	Link Assy, Front Lateral	R/L 20250AC100	m #5	119.95
24	Bushing, Lateral Link Outr	R/L 20251AA000	m #6	26.17
25	Bushing, Lateral Link Inr	R/L 20251AA010	m #6	26.17
<i>[Included w/Front Lateral Link Assy]</i>				
<i>#R&R One Side Complete, w/Spindle Removed Deduct .3, R&R Both Sides 1.0</i>				
26	Link Assy, Rear Lateral	98-00 R 20255AA300 L 20255AA310	m #5	119.95
<i>[Included w/Differential Crossmember Assy]</i>				
<i>#R&R One Side Complete, w/Spindle Removed Deduct .3, R&R Both Sides 1.0</i>				
29	Cap, Lateral Link	R/L 20530AA020	m	4.95
30	Bolt, Lateral Link Otr	R/L 20540AA000	m	25.47
31	Bolt, Lateral Link Inr	R/L 901000110	m	1.77
32	Spring, Coil			
1998				
Base, L Model				
Man Trans				
Auto Trans				
S Model				
w/SLS				
R/L 20380FC330				
m #2.0				
58.83				
w/o SLS				
R/L 20380FC130				
m #2.0				
58.83				
1999-02				
w/Sunroof				
R/L 20380FC140				
m #2.0				
58.83				
w/o Sunroof				
R/L 20380FC130				
m #2.0				
58.83				
33	Strut			
1998				
w/SLS				
R 20360FC221				
m #2.0				
412.02				
L 20360FC231				
m #2.0				
372.87				
w/o SLS				
R 20360FC120				
m #2.0				
104.95				
L 20360FC130				
m #2.0				
104.95				
1999-00				
R 20360FC120				
m #2.0				
104.95				
L 20360FC130				
m #2.0				
104.95				
L 20360FC140				
m #2.0				
104.95				
L 20360FC150				
m #2.0				
104.95				
2001-02				
R 20375FC000				
m #2.0				
9.52				
34	Pad, Spring Lower	R/L 20371FC000	m #2.0	28.03
35	Bumper, Stop	R/L 20372AA000	m #2.0	13.13
36	Boot, Dust	R/L 20375AC030	m #2.0	16.95
37	Pad, Spring Upper	R 20370AC201	m #2.0	68.80
38	Mount, Strut	L 20370AC211	m #2.0	70.65
<i>#R&R One Side Complete, w/Spindle Removed Deduct 1.2, R&R Both Sides 3.8</i>				
39	Cap, Strut Mount	R/L 20327AC000		6.87



DIFFERENTIAL MOUNTING



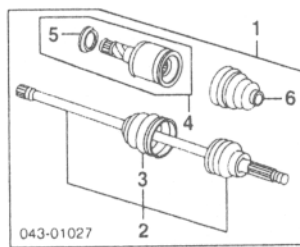
1	Crossmember Assy, Differential	41310FC000	m	2.2	248.65
2	Bushing, Mounting	R/L 41322AC060	m		36.62
<i>[Included w/Differential Crossmember Assy]</i>					
3	Stopper, Differential	R/L 41324FA000	m		8.13
4	Cover, Differential	41325AC051	m		22.82
5	Bracket, Front Mtg	R/L 41321FA040	m		16.00
6	Bracket, Rear Mtg	41321AC031	m		21.23
7	Bolt, Flange	98 R/L 41332AA010	m		7.58
		99-02 R/L 41332FA000	m		5.75
8	Plate, Mounting	R/L 41323AA001	m		7.12

REAR DRIVE AXLE

R&I Axle Shaft Assy (One Side)..... R/Lm #7
 O/H Axle Shaft Assy (Includes R&I)..... R/Lm #1.5
 #w/Spindle Removed Deduct .5

NOTE 1: R&I/R&R or O/H Does Not include adjust wheel alignment.

NOTE 2: All Parts in this section are included in overhaul unless noted otherwise.

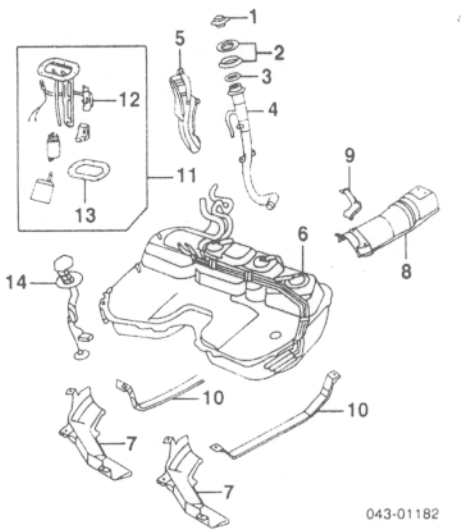


1	Shaft Assy, Axle				
1998-00					
	R 28021AC111	m #7	339.95		
	L 28021AC121	m #7	359.95		
2001					
To 4-00					
	R 28021FC060	m #7	359.95		
	L 28021FC070	m #7	359.95		
From 5-00 to 7-00					
	R 28421FE100	m #7	359.95		
	L 28421FE110	m #7	359.95		
From 8-00					
	R 28421FE180	m #7	359.95		
	L 28421FE190	m #7	359.95		
2002					
	R 28421FE180	m #7	359.95		
	L 28421FE190	m #7	359.95		
<i>#w/Spindle Removed Deduct .5</i>					
2	Joint Assy, Outer				
1998-00					
	R 28091FC080	m #1.5	239.95		
	L 28091FC100	m #1.5	239.95		
2001					
To 4-00					
	R 28091FC070	m #1.5	239.95		
	L 28091FC090	m #1.5	239.95		
From 5-00 to 7-00					
	R 28491FE100	m #1.5	239.95		
	L 28491FE110	m #1.5	239.95		
From 8-00					
	R 28491FE180	m #1.5	309.73		
	L 28491FE190	m #1.5	309.73		
2002					
	R 28491FE180	m #1.5	309.73		
	L 28491FE190	m #1.5	309.73		
3	Boot, Outer (a)	R/L 28023AA120	m #1.5	12.65	
1998-00					
2001					
To 4-00					
	R/L 28023AA120	m #1.5	12.65		
From 5-00					
	R/L 28423FE020	m #1.5	9.65		
2002					
R/L 28423FE020					
m #1.5					
9.65					
<i>(a) Included w/Outer Joint Assy</i>					
4	Joint Assy, Inner	R/L 28092AC010	m #1.5	171.70	
1998-00					
2001					
To 7-00					
	R/L 28092AC010	m #1.5	171.70		
From 8-00					
	R/L 28482FE020	m #1.5	189.63		
2002					
	R/L 28482FE020	m #1.5	189.63		
	L 23233GA091	m #1.5	6.95		
<i>(b) Included w/Inner Joint Assy</i>					
5	Plate, Baffle (b)	R/L 28023AA130	m #1.5	12.92	
<i>[Included w/Axle Shaft Assy]</i>					
<i>#R&R One Side Complete, w/Spindle Removed Deduct .5</i>					
6	Boot, Inner				

FUEL TANK

R&I Fuel Tank..... #5.2
 #Includes R&I Suspension Crossmember & Differential Assy

NOTE: R&R Does Not include drain and refill.



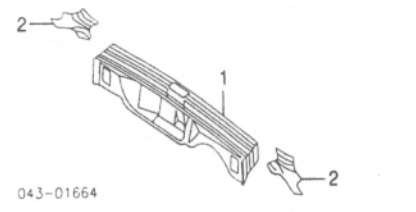
1	Cap, Filler	42032FC000		19.95	
2	Ring, Retaining				
1998-00					
	42056AA011			2.27	
2001					
To 5-00					
	42056AA011			2.27	
From 6-00					
	42056AA011			2.27	
	42056AA011			2.27	
	42060GA081			7.33	
3	Gasket, Cap				
4	Pipe, Filler				
Type 1					
	98 42066FC050			111.77	
Type 2					
	42066FA140			97.88	
5	Protector, Pipe				
Type 1					
	98 42061FC010			13.07	
Type 2					
	42061FA020			13.07	
6	Tank, Fuel				
1998					
Type 1					
	42120FC020	m #5.4	414.29		
Type 2					
	42120FA180	m #5.4	411.60		
1999-02					
	42120FA240	m #5.4	411.60		
<i>#Includes R&R Suspension Crossmember & Differential Assy</i>					
7	Protector, Tank				
	R 42061AA041			18.88	
	L 42061AA031			19.80	
8	Shield, Heat	42030AA080		95.48	
9	Bracket, Heat Shield	42134FC000		8.00	
10	Strap, Tank Support				
	R 42172AA161			75.77	
	L 42172AA181			84.60	
11	Pump/Sender Assy, Fuel				
	98 42021FC021	m #7	314.82		
	99-02 42021FA250	m #7	314.82		
12	Sender, Fuel Gauge				
Main					
	85111FC011	m #7	80.77		
Secondary					
	42060AA040	m #7	9.22		
13	Gasket, Fuel Sender				
<i>[Included w/Fuel Pump/Sender Assy]</i>					
14	Sender, Fuel Gauge				
Secondary					
	85111AC012	m #7	69.95		
<i>#R&R Complete, Included in R&R Fuel Tank</i>					

REAR BODY

Use Procedure Explanations 26 and 28 with the following text.

SHEET METAL

Refinish Rear Body Center Panel Outside.....	1.0
Add for Edge & Interior.....	.5
Refinish Rear Floor Pan.....	1.0



<i>#Deduct 2.0 for Each Outer Quarter Panel Assy Removed, Deduction Includes Common Surfaces & Included Operations</i>				
1	Panel, Rear Body Center	52411FC010	#1.5	163.65
2	Panel, Rear Body Outer	R 52430FC020 L 52430FC030	#1.5	23.20
<i>#w/Outer Quarter Panel Assy Removed Deduct .5</i>				

Illustration Located in Next Column

3	Pan, Rear Floor	98 52120FC200 99-02 52120FC201	#12.0	00.00
<i>#w/Rear Body Panel Removed, Deduct 2.0 for Each Inner Wheelhouse Removed</i>				

3	Cap, Stop Lamp (2)	84956AA050GA	1.22
	Bag	84956AA050ND	1.72
4	Grommet (4)	661179000	.44

REAR BUMPER

Use Procedure Explanations 27 and 28 with the following text.

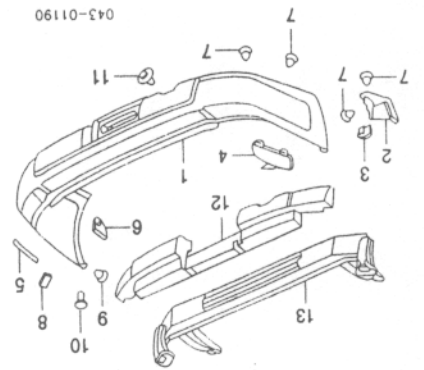
Refinish Rear Cover..... 2.0

O/H Bumper Assy (Includes R&I)..... 1.1

#1.8

#Includes R&I/R&R Vapor Canister

NOTE: All Parts in this section are included in overhaul unless noted otherwise.



1	Cover, Rear	98-00 57220FC080	#1.8	299.95
	Black	01-02 57220FC410	#1.8	299.95
	Gray	98-00 57220FC020	#1.8	299.95
	Paint to Match	01-02 57177FC370MC	#1.8	299.95
		98-00 57220FC080	#1.8	299.95
2	Cover, Side	R 57751FC000	14.95	
	#Includes R&I/R&R Vapor Canister			
		L 57751FC010	14.95	
		R 57751FC000	14.95	
	Pad, Step1	E7710FS050	39.95	#2
	#Not Included in O/H			
	Accessory Part Number listed, Contact Dealer			
3	Nut, Plate (2/Side)	R/L 91081FC000	64.95	
4	Plate, Cover Side	R/L 57737FC000	5.00	
5	Seal, Cover Side	R/L 57798FC020	1.90	
6	Bracket, Side	R 57790FC000	8.50	
		L 57790FC010	8.50	
7	Clip, Cover	57728AC090	.80	
8	Rivet, Cover	R/L 57714FC000	1.95	
9	No. 1	R/L 57714FC010NN	1.80	
10	No. 2	R/L 90592C026	.72	
11	Grommet (5)	990111FC000NN	1.50	
12	Absorber, Impact	98-00 57730FC000	79.95	
		01-02 57730FC100	99.95	
13	Bar, Reinforcement	57760FC190	239.95	

**SUBARU IMPREZA COUPE
1999-01**

SECTION INDEX

A/C HEATER/VENTILATION.....	786
A/C REFRIGERANT CAPACITIES.....	786
ABS/BRAKES.....	787
AIR BAG SYSTEM.....	787
AIR CLEANER.....	789
BACK WINDOW.....	795
CENTER CONSOLE.....	792
CLEAR COAT IDENTIFICATION.....	784
COOLING.....	785
COWL & DASH.....	791
CRUISE CONTROL SYSTEM.....	787
ELECTRICAL.....	790
EMISSION SYSTEM.....	790
ENGINE/TRANS.....	789
ENGINE/TRANS MOUNTS.....	789
EXHAUST.....	790
FRONT BUMPER.....	784
FRONT DOOR.....	794
FRONT DRIVE AXLE.....	788
FRONT FENDER.....	786
FRONT INNER STRUCTURE.....	786
FRONT LAMPS.....	784
FRONT SEAT.....	793
FRONT STEERING LINKAGE/GEAR.....	788
FRONT SUSPENSION.....	788
FUEL TANK.....	797
GRILLE.....	784
HOOD.....	785
INFORMATION LABELS.....	784
INSTRUMENT PANEL.....	791
LUGGAGE LID.....	796
PAINT CODE LOCATION.....	784
QUARTER GLASS.....	796
QUARTER PANEL.....	795
REAR BODY.....	798
REAR BUMPER.....	798
REAR DRIVE AXLE.....	797
REAR LAMPS.....	798
REAR SEAT.....	793
REAR SUSPENSION.....	796
ROCKER/PILLARS/FLOOR.....	792
ROOF.....	795
SEAT BELTS.....	793
SPECIAL CAUTIONS.....	784
STEERING PUMP.....	789
STEERING WHEEL/COLUMN.....	789
SUNROOF.....	795
UNDERHOOD DIMENSIONS.....	786
WHEEL.....	787
WINDSHIELD.....	791

SPECIAL CAUTIONS

SUPPLEMENTAL RESTRAINT SYSTEM

Refer to Procedure Explanation 29 for Supplemental Restraint/Air Bag Special Cautions.

PAINT CODE LOCATION

Paint code located on left shock tower.

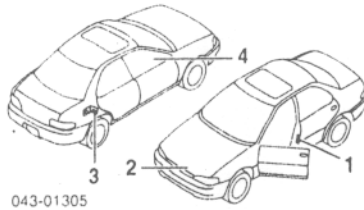
CLEAR COAT IDENTIFICATION

All metallic and mica colors are clear coat.

INFORMATION LABELS

Illustration Located in Next Column

1 Label, Tire Pressure	28191FA580	2.35
Label, Tire Caution	91551AA061	8.43
2 Label, Fan Caution	91551AA041	3.10
Label, Battery	782163040	4.37
†Order by Application		
3 Label, Unleaded Fuel	91519GA420	1.40



043-01305

4 Label, Air Bag 98281FC001 2.38
Label, Shift Lock-See Center Console Section

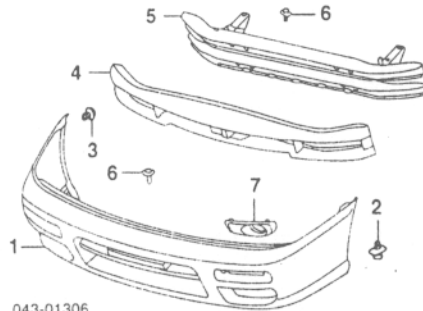
FRONT BUMPER

Use Procedure Explanations 1 and 28 with the following text.

L Model

Refinish Front Cover.....	2.8
R&I Bumper Assy.....	#1.0
#Includes R&I/R&R Fender Covers & Clearance Lamps	
O/H Bumper Assy (Includes R&I).....	#2.0
#Includes R&I/R&R Fender Covers, Clearance Lamps & Signal Lamps	
Add to R&R or O/H Bumper Assy w/Fog Lamps.....	3

NOTE: All Parts in this section are included in overhaul unless noted otherwise.

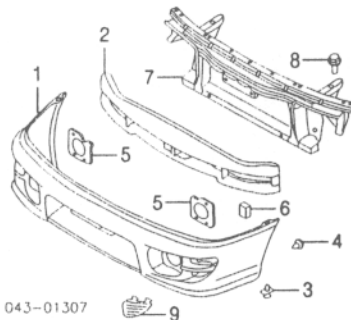


1 Cover, Front (P)	57720FA160	#2.0	179.95
(P) Paint to Match			
#Includes R&I/R&R Fender Covers, Clearance Lamps & Signal Lamps			
2 Screw, Mounting (7)	81910TA100		1.48
3 Clip, Mounting (2)	59122FA010		1.48
4 Absorber, Impact	57730FA050	IOH	64.95
5 Reinforcement	57760FA002	IOH	189.95
6 Clip, Bumper (12)	57728AC090		.80
7 Insert, Cover	R 57744FA040NN L 57744FA050NN		28.25 28.25

RS MODEL-USA

Refinish Front Bumper Cover.....	2.8
R&I Bumper Assy.....	#1.0
#Includes R&I/R&R Fender Covers & Clearance Lamps	
O/H Bumper Assy (Includes R&I).....	#2.3
#Includes R&I/R&R Fender Covers, Clearance Lamps & Signal Lamps	

NOTE: All Parts in this section are included in overhaul unless noted otherwise.



043-01307

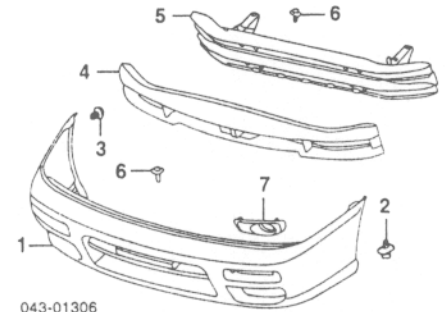
1 Cover, Front Bumper (P)	57720FA280	#2.3	214.00
(P) Paint to Match			
#Includes R&I/R&R Fender Covers, Clearance Lamps & Signal Lamps			
2 Absorber, Impact	57730FA050	IOH	64.95
3 Rivet, Cover (7)	81910TA100		1.48
4 Clip, Cover (2)	59122FA010		1.48

5 Bracket, Fog Lamp	R 84927FA001		10.72
	L 84927FA011		10.72
6 Insulator, Bumper	R/L 57791FA030		1.96
7 Reinforcement	57760FA500	IOH	239.95
8 Bolt, Mounting (2/Side)	R/L 901120047		2.53
9 Cover, Frt Bumper	R 57744FA200	2	28.25
	L 57744FA210	2	31.28

RS MODEL-CANADA

Refinish Front Bumper Cover.....	2.8
R&I Bumper Assy.....	#1.0
#Includes R&I/R&R Fender Covers & Clearance Lamps	
O/H Bumper Assy (Includes R&I).....	#2.0
#Includes R&I/R&R Fender Covers, Clearance Lamps & Signal Lamps	
Add to R&R or O/H Bumper Assy w/Fog Lamps.....	3

NOTE: All Parts in this section are included in overhaul unless noted otherwise.

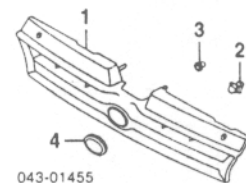


043-01306

1 Cover, Front (P)	N.A.	#2.0	0.00
(P) Paint to Match			
#Includes R&I/R&R Fender Covers, Clearance Lamps & Signal Lamps			
2 Screw, Mounting (7)	N.A.		0.00
3 Clip, Mounting (2)	N.A.		0.00
4 Absorber, Impact	N.A.	IOH	0.00
5 Reinforcement	N.A.	IOH	0.00
6 Clip, Bumper (12)	N.A.		0.00
7 Insert, Cover w/Fog Lamps	R/L N.A.		0.00
	R/L N.A.		0.00

GRILLE

Refinish Grille.....	.8
R&I Grille Assy.....	2



043-01455

1 Grille (P)	91065FA050NN	2	129.95
(P) Paint to Match			
2 Clip, Grille (2)	91017FA080		2.60
3 Retainer, Grille (2)	91027FA040		.68
4 Emblem	91053FA000	#2	16.95

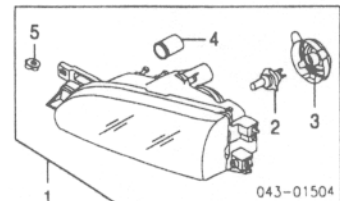
#Included in R&R Grille

FRONT LAMPS

HEADLAMP

Aim Lamps.....	.4
R&I Headlamp Assy.....	R/L #.4
#Includes R&I/R&R Grille & Clearance Lamp	

NOTE: R&R Does Not include aim lamps.



043-01504

1 Headlamp Assy	R 84001FA441	#.4	174.95
	L 84001FA451	#.4	174.95
#Includes R&I/R&R Grille & Clearance Lamp			
2 Bulb	R/L 84920AA090	#2	19.95